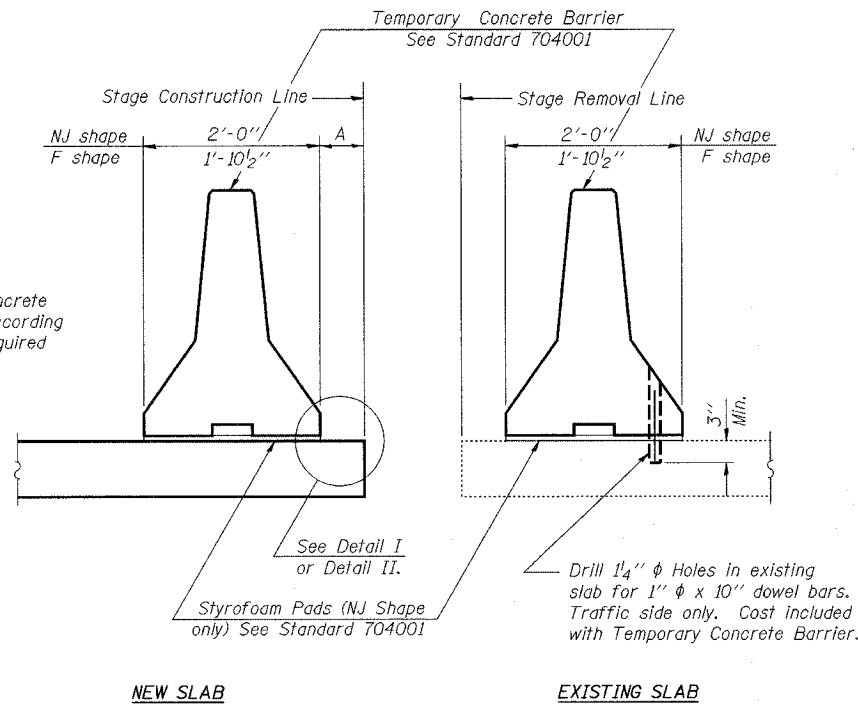


STATE OF ILLINOIS  
DEPARTMENT OF TRANSPORTATION

ROUTE NO.	SECTION	COUNTY	TOTAL SHEETS	SHEET NO.
F.A.P. 778	(2B-1)-1	SALINE	74	45
FED. ROAD DIST. NO. 9	ILLINOIS	FED. AID PROJECT		

SHEET NO. 3  
8 SHEETS



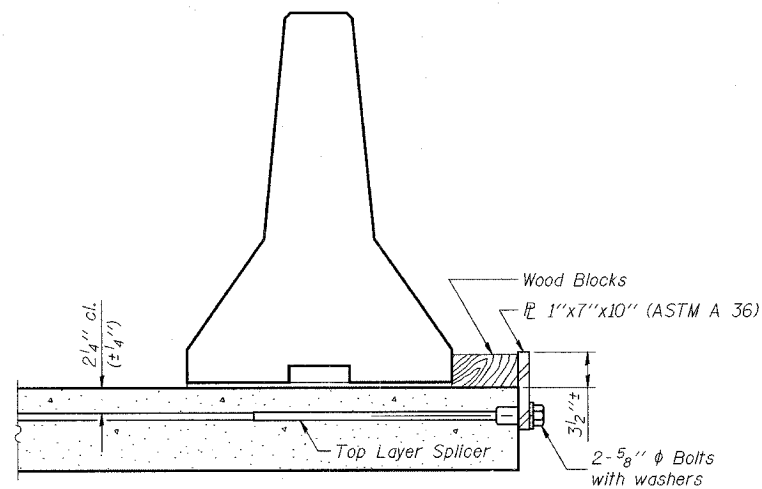
SECTIONS THRU SLAB

**NOTES**

**Detail I - With Bar Splicer or Couplers:**  
Connect one (1) 1"x7"x10" steel  $\bar{P}$  to the top layer of couplers with 2-5/8"  $\phi$  bolts screwed to coupler at approximate  $\phi$  of each barrier panel.

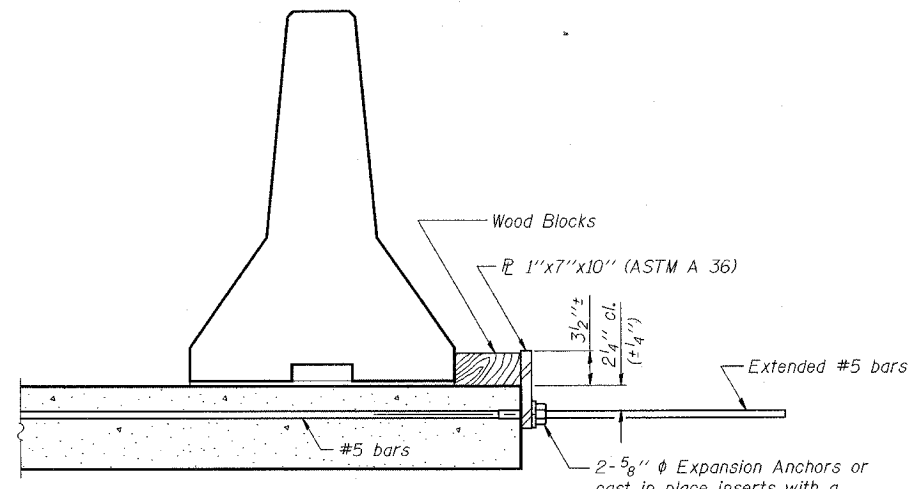
**Detail II - With Extended Reinforcement Bars:**  
Connect one (1) 1"x7"x10" steel  $\bar{P}$  to the concrete slab with 2-5/8"  $\phi$  Expansion Anchors or cast in place inserts spaced between the top layer of reinforcement at approximate  $\phi$  of each barrier panel.

Cost of anchorage is included with Temporary Concrete Barrier.



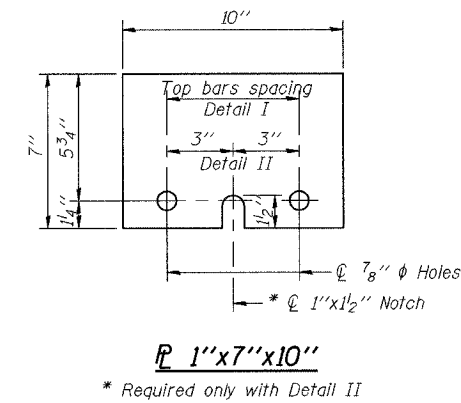
**DETAIL I**

The 1"x7"x10" Plate shall not be removed until Stage II Construction forms and reinforcement bars are in place.



**DETAIL II**

The 1"x7"x10" Plate shall not be removed until Stage II Construction forms and all reinforcement bars are in place and the concrete is ready to be placed.



DESIGNED	SBM
CHECKED	KMN
DRAWN	MSJ
CHECKED	WCC

R-27 10-31-02

**TEMPORARY CONCRETE BARRIERS  
IL. ROUTE 34 OVER UNNAMED TRIBUTARY  
TO SOUTH FORK SALINE RIVER  
FAP ROUTE 778 - SEC. (2B-1)-1  
SALINE COUNTY  
STATION 441+40.60  
STRUCTURE NO. 083-2016**