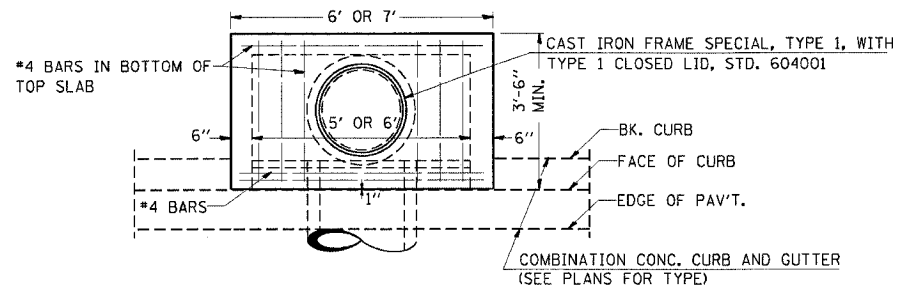
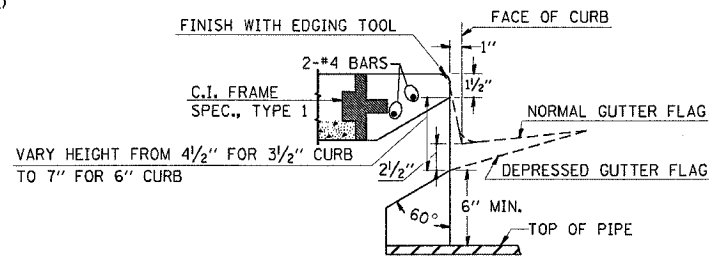


| F.A.P. RTE. | SECTION | COUNTY | TOTAL SHEETS | SHEET NO. |
|---------------------|-------------------|------------------|--------------|-----------|
| 331 | 5-(2,3) I-1, TS-2 | JACKSON | 94 | 53 |
| STA. | | TO STA. | | |
| FED. ROAD DIST. NO. | ILLINOIS | FED. AID PROJECT | | |

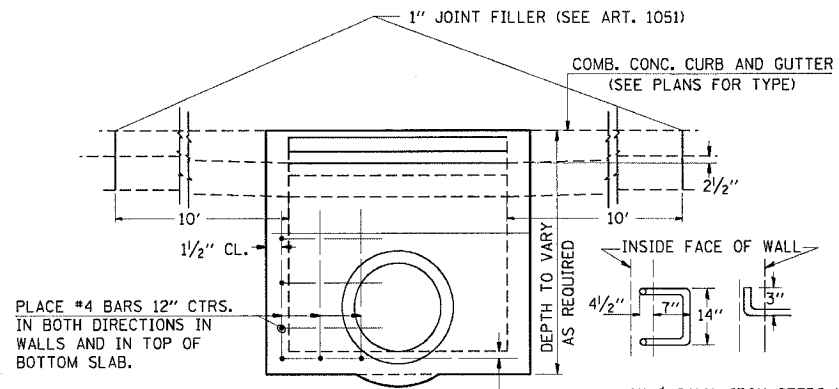
DETAILS OF INLET SPECIAL, TYPE 3, 5 FEET AND 6 FEET



PLAN

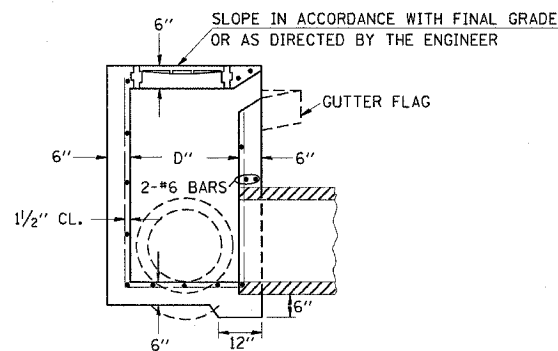


DETAIL AT WEIR



ELEVATION

| DESIGN | PIPE DIAM. | "D" |
|--------|------------|-------|
| A | 18" & LESS | 2'-6" |
| B | 21" & 24" | 3'-0" |
| C | 27" & 30" | 3'-7" |
| D | 33" & 36" | 4'-2" |
| E | 42" | 4'-9" |
| F | 48" | 5'-0" |
| G | 54" | 6'-1" |



SECTION

NOTES:

CLASS SI CONCRETE SHALL BE USED THROUGHOUT. SET FACE OF INLET 1" BEHIND FACE OF CURB. DEPRESS GUTTER FLOWLINE AT INLET 2 1/2" BELOW NORMAL GUTTER FLOWLINE. CONSTRUCT TRANSITION IN FLOWLINE IN 10 FEET EACH SIDE OF INLET. PIPES TO BE CONNECTED TO INLET AS SHOWN ON STORM SEWER LAYOUT.

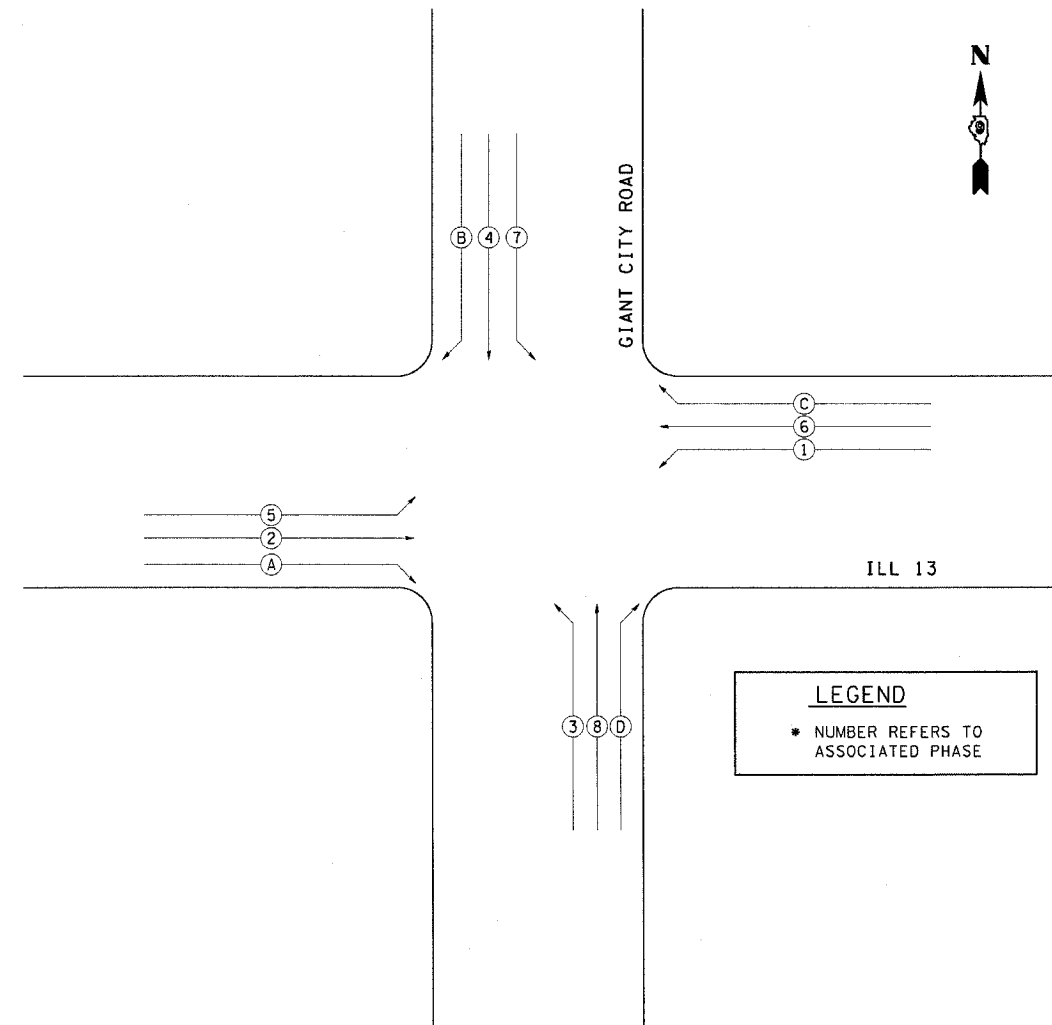
INLETS WILL BE PAID FOR AT THE CONTRACT UNIT PRICE EACH FOR INLET, SPECIAL, TYPE 3, 5 FEET OR INLET, SPECIAL, TYPE 3, 6 FEET WHICH PRICE SHALL INCLUDE THE CAST IRON FRAME, SPECIAL, TYPE 1 WITH TYPE 1 CLOSED LID, THE REINFORCEMENT BARS, METAL STEPS AND JOINT FILLER.

**THE GALV. IRON STEPS AS DETAILED HEREON ARE TYPICAL. STEPS OF OTHER DESIGN AND MATERIAL THAT WILL CONFORM TO THE MINIMUM REQUIREMENTS OF THE STEPS SHOWN, MAY BE USED WHEN APPROVED BY THE ENGINEER.

INLETS MAY BE PRECAST WHEN APPROVED BY THE ENGINEER.

NAME OF INTERSECTION: FAP 331 (ILL 13) AND GIANT CITY ROAD
 CONTROLLER SPECIFIED: FULL ACTUATED CONTROLLER, STANDARD SEQUENCE IV,
 8 PHASE, TYPE IV CONTROLLER CABINET

REFERRING TO STANDARD 857001, THE VEHICULAR AND PEDESTRIAN PHASES USED ARE DESIGNATED AS SHOWN.



LEGEND

* NUMBER REFERS TO ASSOCIATED PHASE

PHASE DESIGNATION DIAGRAM

REVISIONS

| | |
|---------|----------|
| REBORN | 12-15-89 |
| REVISED | 8-15-94 |
| REVISED | 1-19-99 |

STD. 9-1

REVISIONS

| | |
|---------|----------|
| DRAWN | 11-31-90 |
| REVISED | 5-30-90 |

STD 9-66

**DETAILS: INLET SPECIAL TYPE 3,
 PHASE DESIGNATION DIAGRAM**