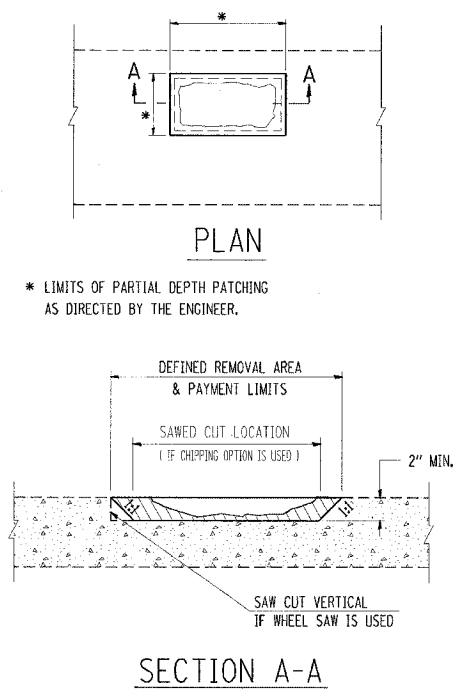


P. A. L. SHEET	SECTION	COUNTY	TOTAL SHEETS	SHEET NO.
24	*	JOHNSON	150	113
STA.	TO STA.			
FED. ROAD DIST. NO.	ILLINOIS	FED. AID PROJECT		
* (44-5,6)RS, BSMART FY04-3				
98836				

DETAILS OF BITUMINOUS PATCHING-PARTIAL DEPTH

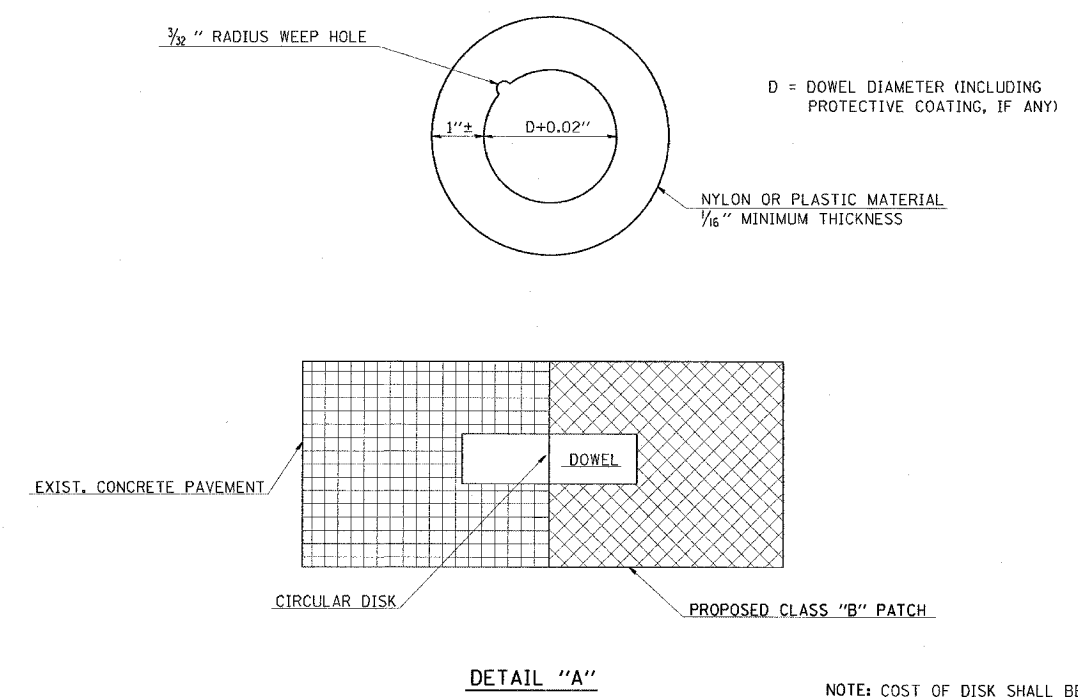


NOTES:
 THE CONTRACTOR HAS THE OPTION OF SAWING THE PAVEMENT AND CHIPPING THE EDGES OR BY MILLING THE DEFINED AREA OF THE PATCH.
 THE PAVEMENT SHALL BE SAWED A MINIMUM OF 2" DEPTH IF THE SAWING OPTION IS USED.
 THE DIAMETER OF THE MILLING MACHINE SHALL BE OF SUFFICIENT SIZE TO MAINTAIN THE 1:1 SIDE SLOPE.
 THE PATCHING MATERIAL SHALL BE BITUMINOUS BINDER COURSE, TYPE 1 OR PORTLAND CEMENT CONCRETE AT THE CONTRACTOR'S OPTION.
 THIS ITEM WILL BE PAID FOR AT THE CONTRACT UNIT PRICE PER SQUARE YARD FOR PAVEMENT PATCHING (PARTIAL DEPTH).

REVISIONS

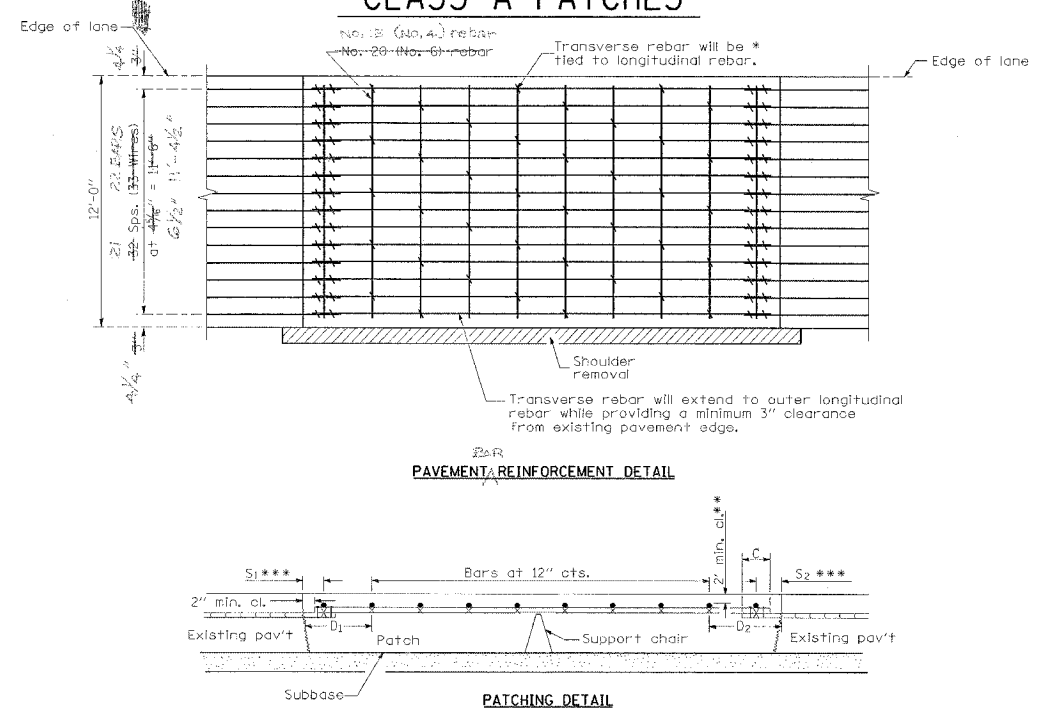
DRAWN	10-4-91
REVISED	10-20-93
REVISED	3-26-97
STD. 9M-91	

DETAIL THIN CIRCULAR DISK



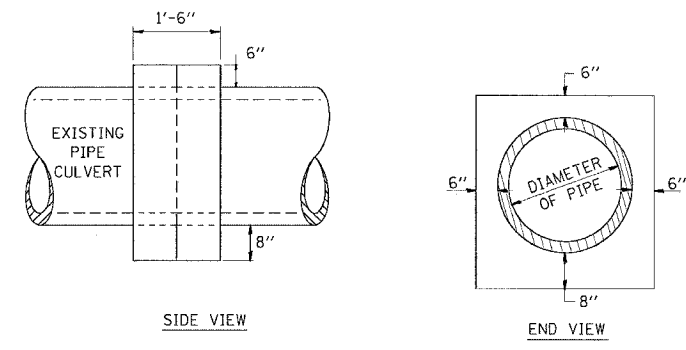
NOTE: COST OF DISK SHALL BE INCLUDED IN CLASS "B" PATCHING.

CLASS A PATCHES



* Every 3rd intersection must be tied.
 ** When the minimum clearance cannot be obtained with the transverse bar on top then the transverse rebar shall be tied to the bottom of the longitudinal rebar.
 *** Variable: Where S1 and S2 are 2 1/2" min. and 12" max. D1 = 2(S1) and D2 = 2(S2).

DETAILS OF CONCRETE COLLAR PIPE TO PIPE



TABULATION

DIAMETER OF PIPE	CL. S1 CONC. CU. YDS. EST.
12"	0.24
15"	0.29
18"	0.32
24"	0.44
30"	0.56
36"	0.66
42"	0.80
48"	0.93
54"	1.07
60"	1.22
72"	1.55

THE CONCRETE COLLAR SHALL BE PAID FOR AT THE CONTRACT UNIT PRICE PER CUBIC YARD FOR CONCRETE COLLAR, AS SHOWN ON THE PLANS, WHICH PRICE SHALL INCLUDE THE REMOVAL OF SUCH PORTIONS THE EXISTING HEADWALLS AS MAY BE REQUIRED.
 CLASS S1 CONCRETE SHALL BE USED THROUGHOUT.

REVISIONS

DRAWN	7-13-90
REVISED	8-22-94
STD. 9-79	