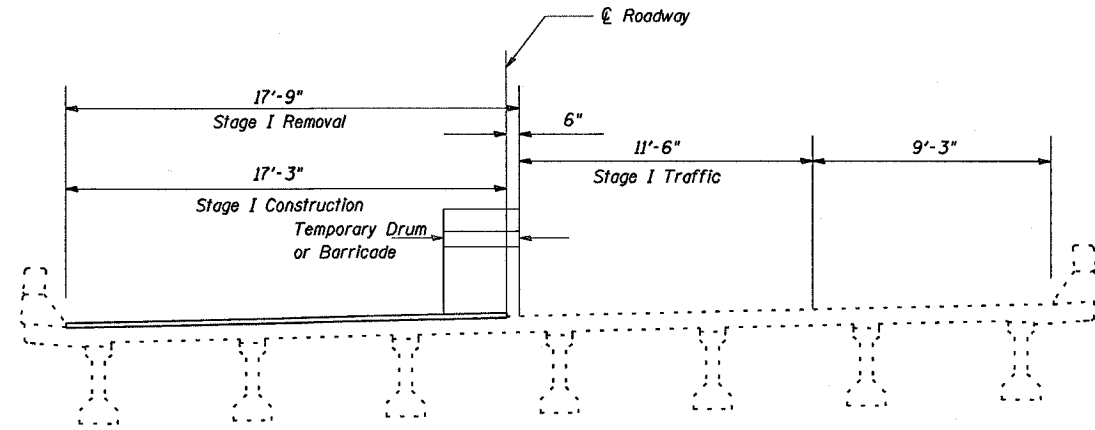
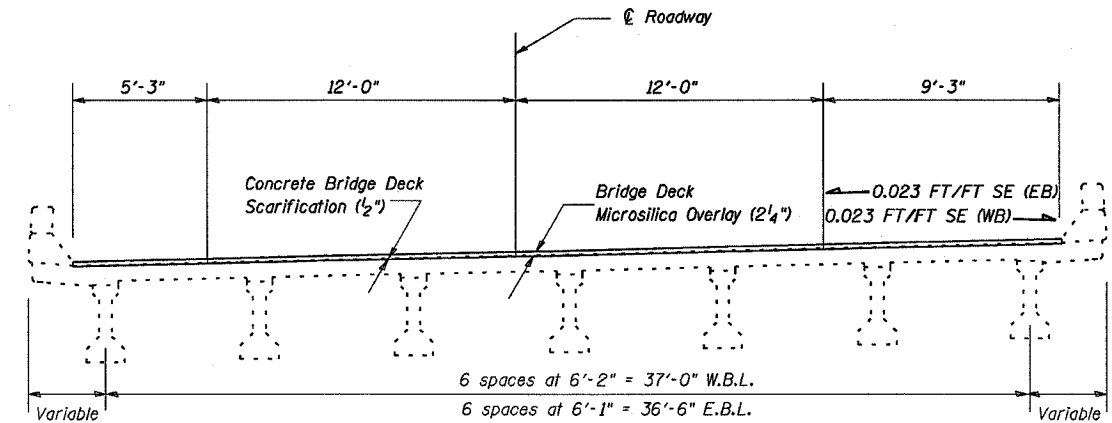


STATE OF ILLINOIS  
DEPARTMENT OF TRANSPORTATION

P.L.A. #	SECTION	COUNTY	TOTAL SHEETS	SHEET NO.
24	#	JOHNSON	150	142
STA.	TO STA.			
FED. ROAD DIST. NO.	ILL. DIST. NO.	FED. AID PROJECT		
# BSMART FY04-3 98836				



**STAGE I**



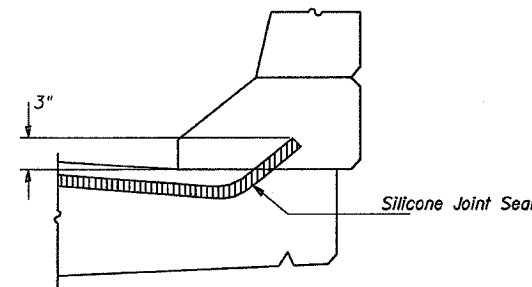
**TYPICAL CROSS SECTION**

(Proposed cross slope matches the existing 0.023 F1/F1 SE)

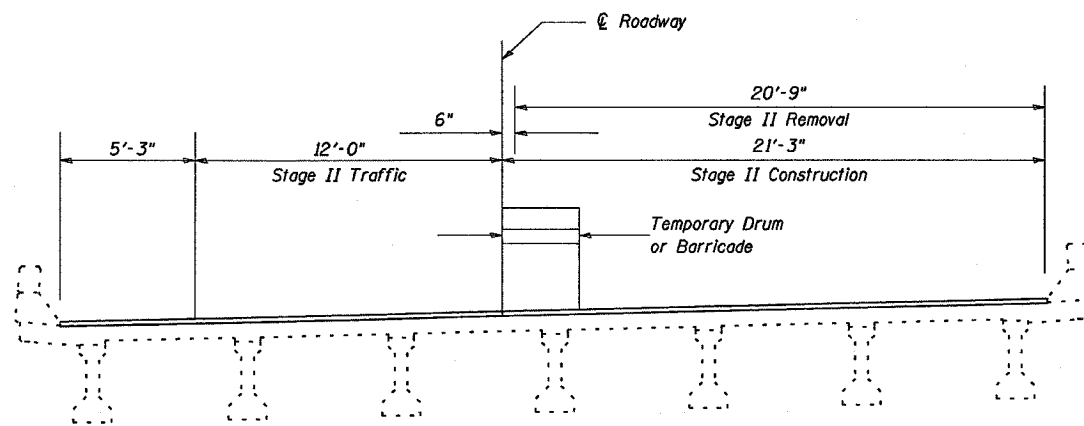
Notes: Cross sections are looking in direction of traffic

The temporary drums or barricades shall be located as shown on this sheet except when workers are present, when they may be temporarily moved over 2'-0" shifting traffic onto the existing bituminous shoulders.

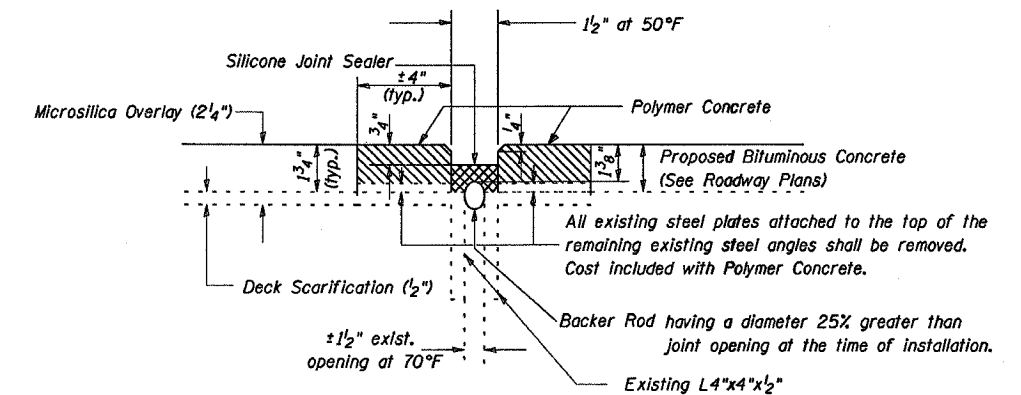
All abutments typical



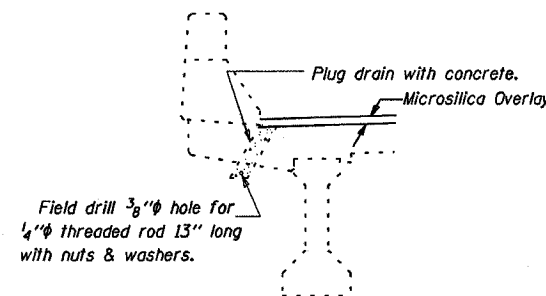
**TYPICAL END OF SEAL TREATMENT AT EXPANSION JOINT**



**STAGE II**



**JOINT TREATMENT**



**SECTION AT DRAIN  
DRAIN ELIMINATION DETAIL**

(4 Locations)

**STAGE CONSTRUCTION, JOINT TREATMENT & DRAIN ELIMINATION DETAILS**

**JOHNSON COUNTY**  
**SN 044-0047 (E.B.)**  
**SN 044-0048 (W.B.)**

BRIDGE REPAIRS FOR S.N. 044-0047 AND 044-0048

DESIGNED	TWH MAS
CHECKED	MAS
DRAWN	TWH TEB
CHECKED	TWH MAS