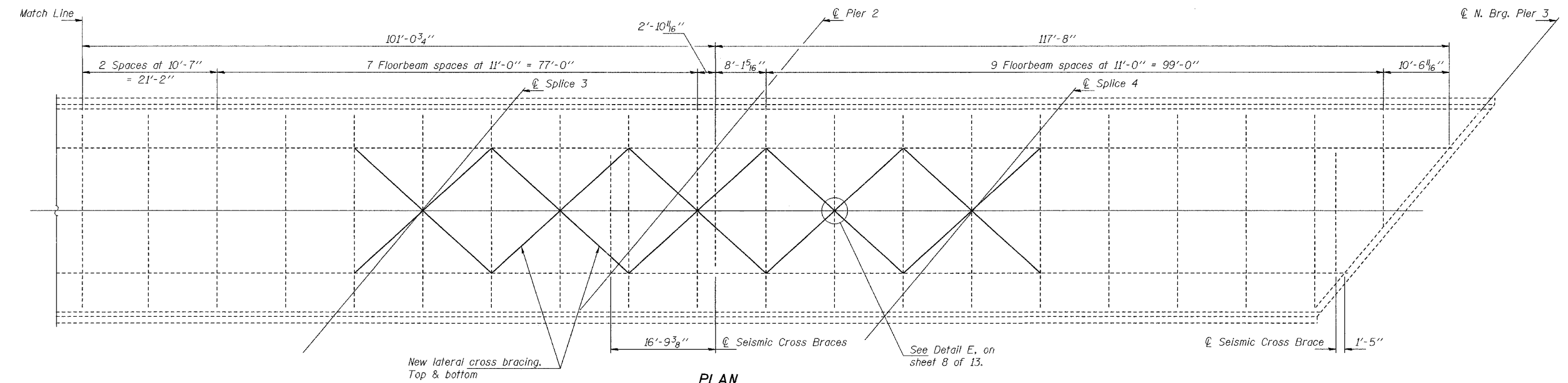
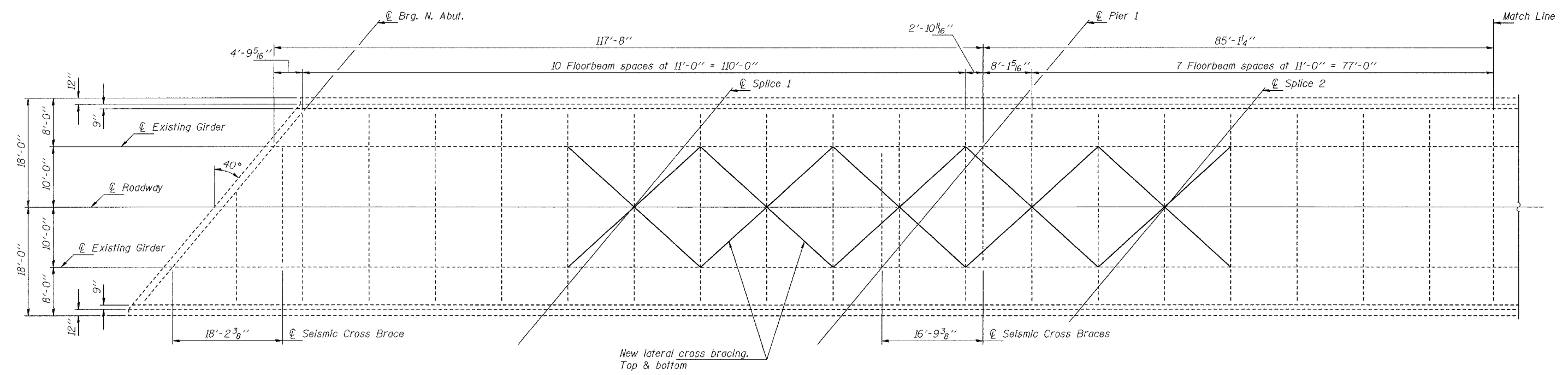
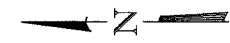


98846

STATE OF ILLINOIS
DEPARTMENT OF TRANSPORTATION

ROUTE NO.	SECTION	COUNTY	SHEET	SHEET NO.
F.A.I. 57	(02-1B)I	ALEXANDER	6	17
FED. ROAD DIST. NO. 7	ILLINOIS	FED. AID PROJECT-		13 SHEETS



PLAN
(Showing N.B. Lanes - S.B. Lanes Similar)

Note:
Remove & replace lateral cross bracing one bay at a time.

DESIGNED	JSB	MARCH 8, 2004
CHECKED	VHV	EXAMINED <i>John A. Morris</i> ENGINEER OF STRUCTURAL SERVICES
DRAWN	balva	PASSED
CHECKED	JSB VHV	ENGINEER OF BRIDGES AND STRUCTURES

FRAMING PLAN
I-57 OVER CACHE RIVER
F.A.I. RTE. 57 - SEC. (02-1B)I
ALEXANDER COUNTY
STATION 943+72.00
SN 002-0003 (NB) & 002-0004 (SB)