

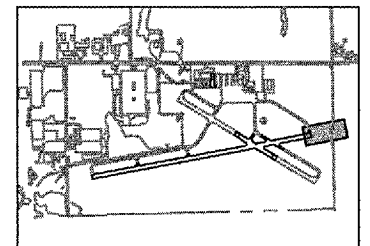


CITY OF DIXON, ILLINOIS

Post Office Box 386
Dixon, Illinois 61021
Telephone: 815.288.1485

DIXON MUNICIPAL AIRPORT
CHARLES R. WALGREEN FIELD
OVERLAY RUNWAY 8-26,
REHABILITATE HANGAR PAVEMENTS

AIP PROJECT NO. 3-17-0036-B5
IDA PROJECT NO. C73-3313



KEY PLAN

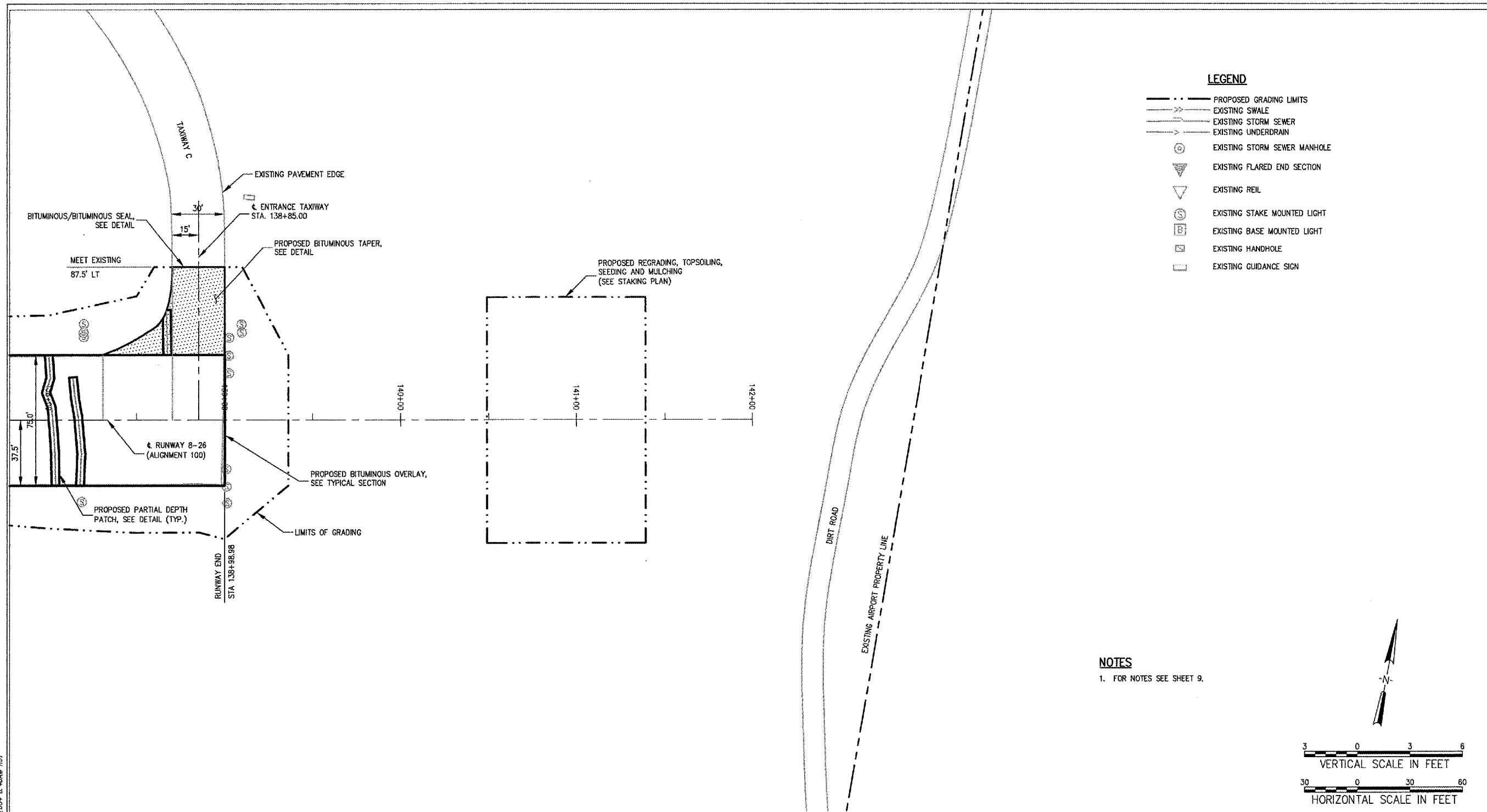
No.	Drawing Issue Description	Date	By

Date
12 MARCH 2004

Sheet Title

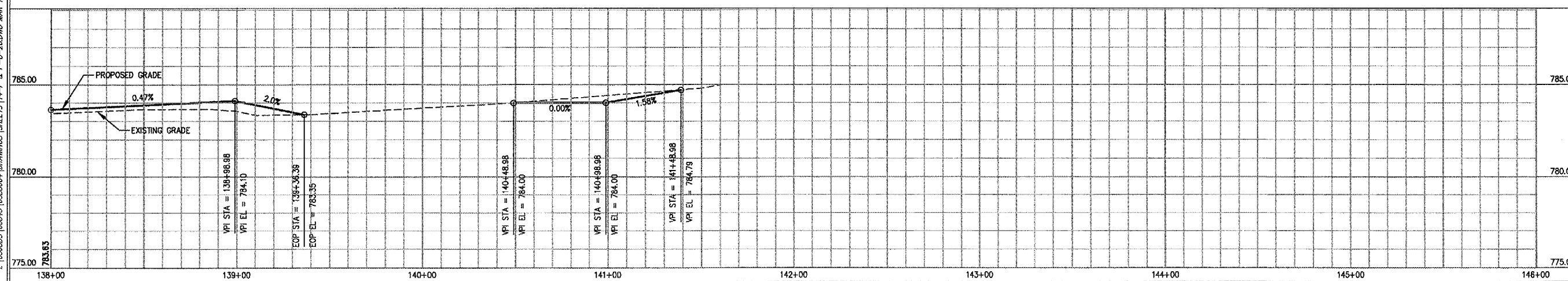
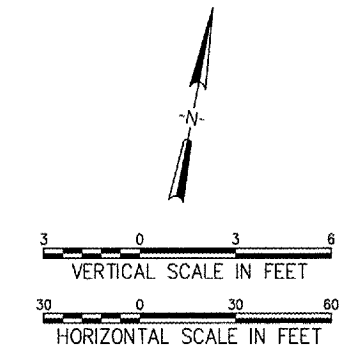
PLAN AND PROFILE
STA 138+00 TO
STA 140+00

84303B8004/C8005
Project Number
RJT 01/20/04
Layout By Date
TMM 01/20/04
Designed By Date
RMH 03/05/04
Reviewed By Date
RJT
Drawn By Sheet No.



- LEGEND**
- PROPOSED GRADING LIMITS
 - EXISTING SWALE
 - EXISTING STORM SEWER
 - EXISTING UNDERDRAIN
 - ⊙ EXISTING STORM SEWER MANHOLE
 - ▽ EXISTING FLARED END SECTION
 - ▽ EXISTING REIL
 - ⊙ EXISTING STAKE MOUNTED LIGHT
 - ⊙ EXISTING BASE MOUNTED LIGHT
 - ⊙ EXISTING HANDHOLE
 - ⊙ EXISTING GUIDANCE SIGN

NOTES
1. FOR NOTES SEE SHEET 9.



P:\03\005\03867\03867.DWG\03867.DWG\03867.DWG MAR 12, 2004 8:40AM RJT