

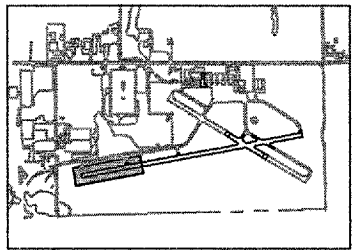


CITY OF DIXON, ILLINOIS

Post Office Box 386  
Dixon, Illinois 61021  
Telephone: 815.288.1485

DIXON MUNICIPAL AIRPORT  
CHARLES R. WALGREEN FIELD  
OVERLAY RUNWAY 8-26,  
REHABILITATE HANGAR PAVEMENTS

AIP PROJECT NO. 3-17-0036-B5  
IDA PROJECT NO. C73-3313



KEY PLAN

No.	Drawing Issue Description	Date	By

Date  
12 MARCH 2004

Sheet Title

**LIGHT ADJUSTMENT PLAN  
STA 99+00 TO  
STA 112+50**

84303B8004/C8005  
Project Number  
RJT 01/20/04  
Layout By Date  
TMM 01/20/04  
Designed By Date  
RMH 03/05/04  
Reviewed By Date  
RJT  
Drawn By Sheet No.

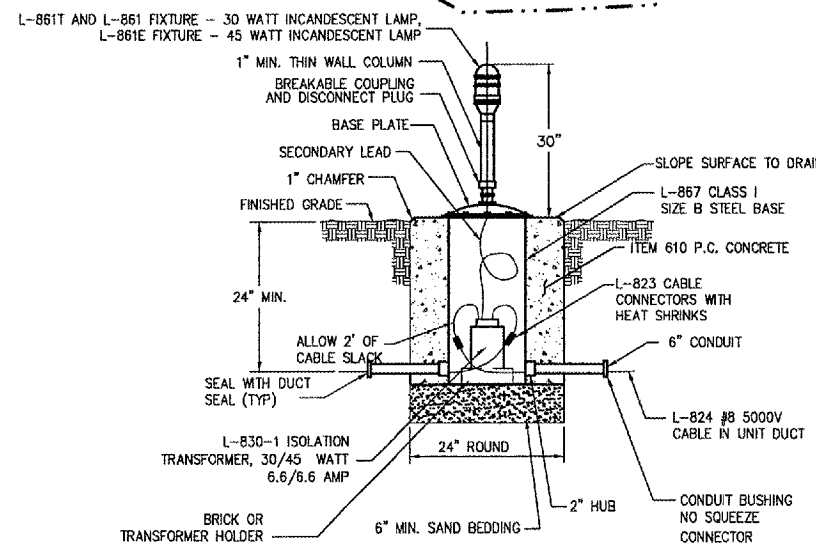
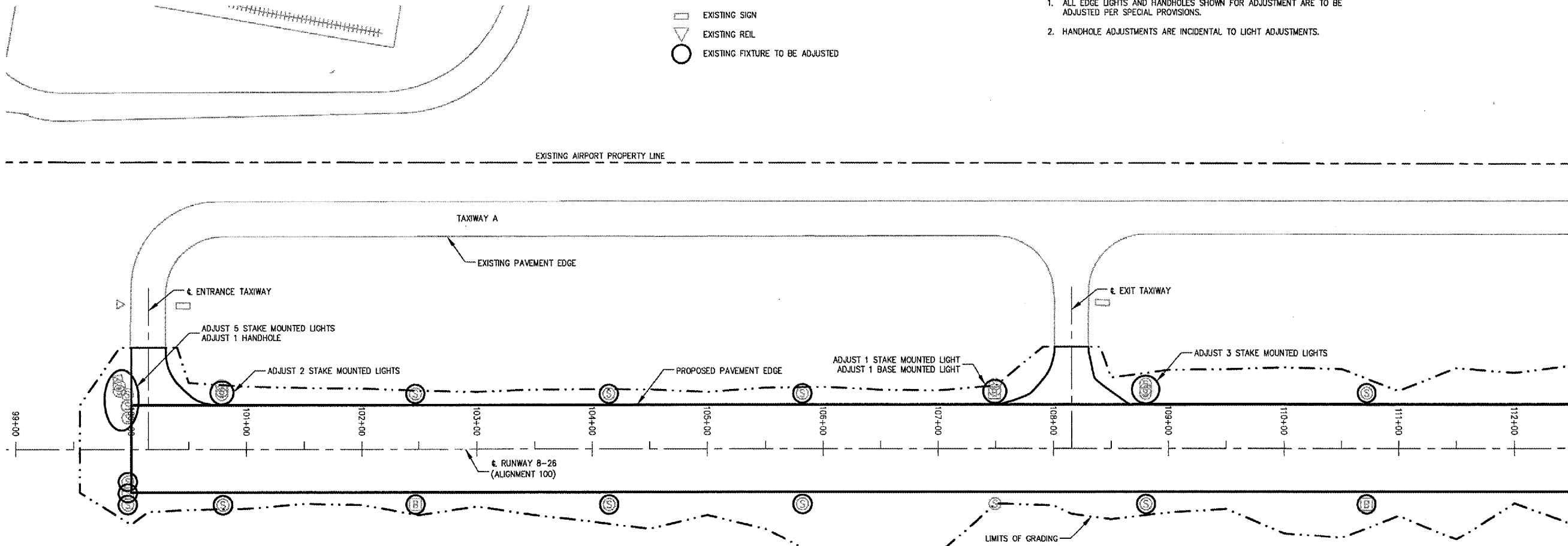
**LEGEND**

- ⊙ EXISTING STAKE MOUNTED LIGHT
- ⊕ EXISTING BASE MOUNTED LIGHT
- ⊠ EXISTING HANDHOLE
- EXISTING SIGN
- ▽ EXISTING REIL
- EXISTING FIXTURE TO BE ADJUSTED

**NOTES**

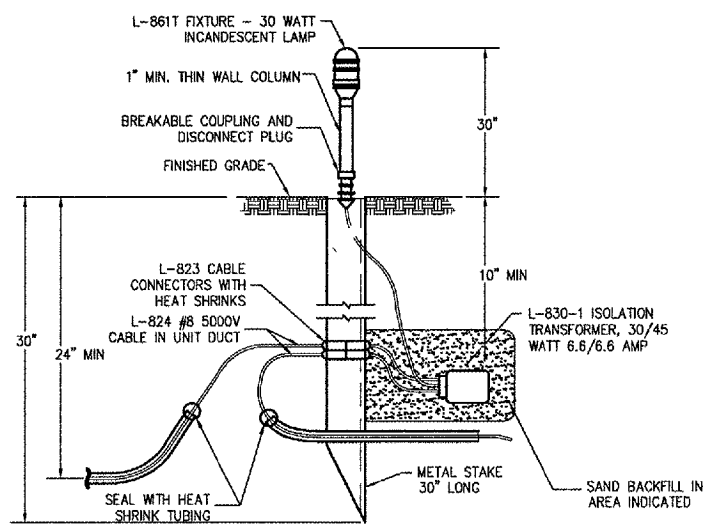
1. ALL EDGE LIGHTS AND HANDHOLES SHOWN FOR ADJUSTMENT ARE TO BE ADJUSTED PER SPECIAL PROVISIONS.
2. HANDHOLE ADJUSTMENTS ARE INCIDENTAL TO LIGHT ADJUSTMENTS.

MATCH LINE STA. 112+50



1. BREAKABLE COUPLING SHALL NOT BE OVER 1" ABOVE BASE PLATE.
2. TWO FEET OF SLACK CABLE IS TO BE LEFT AT EACH LIGHT. SLACK IS TO BE ON THE CABLE SIDE OF PRIMARY CONNECTORS AND SPLICES AND IS TO BE INCIDENTAL TO THE CABLE.
3. SEE SPECIAL PROVISIONS FOR ADDITIONAL REQUIREMENTS.

**EXISTING BASE - MOUNTED LIGHT**  
L-861, L-861E, L-861T



1. BREAKABLE COUPLING SHALL NOT BE OVER 1" ABOVE BASE PLATE.
2. TWO FEET OF SLACK CABLE IS TO BE LEFT AT EACH LIGHT. SLACK IS TO BE ON THE CABLE SIDE OF PRIMARY CONNECTORS AND SPLICES AND IS TO BE INCIDENTAL TO THE CABLE.
3. SEE SPECIAL PROVISIONS FOR ADDITIONAL REQUIREMENTS.

**EXISTING STAKE - MOUNTED LIGHT**  
L-861 AND L-861T

