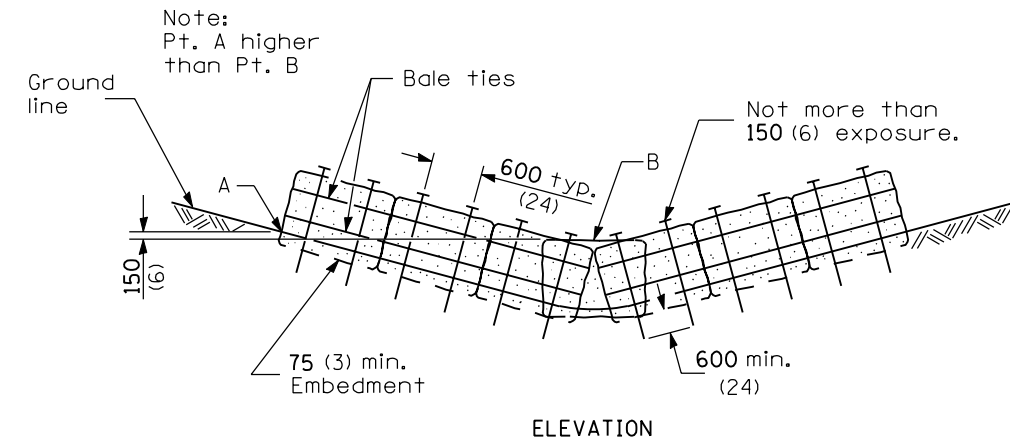
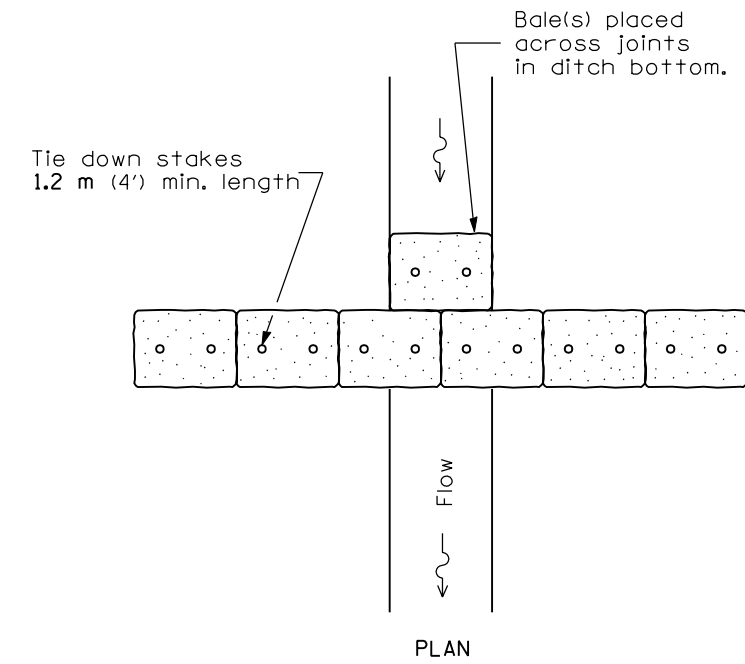


**AGGREGATE DITCH CHECK**



**ROLLED EXCELSIOR OR STRAW BALES FOR DITCH CHECK**

**GENERAL NOTES**

The dimensions and installation methods for ditch checks shall be the same for perimeter erosion barriers and inlet and outlet protection unless otherwise specified.

All dimensions are in millimeters (inches) unless otherwise shown.

Illinois Department of Transportation

PASSED January 1, 2002  
*Ryan Driskell*  
 ENGINEER OF POLICY AND PROCEDURES

ISSUED 1-1-97

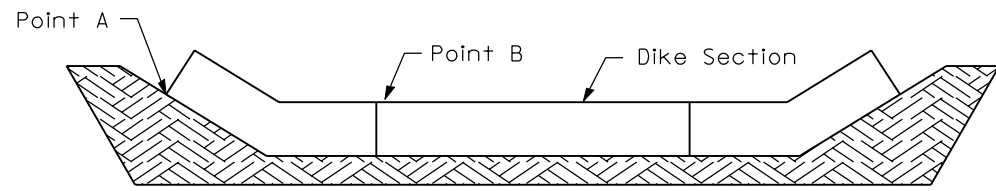
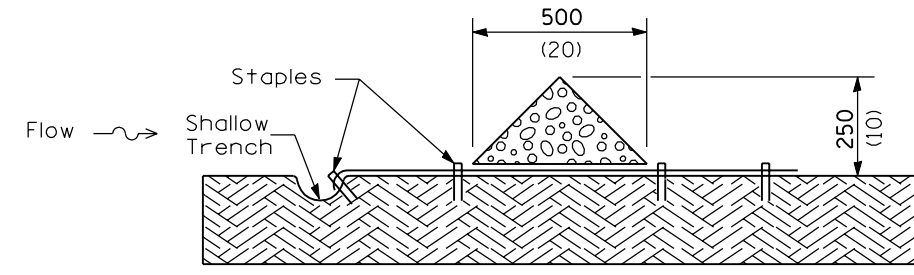
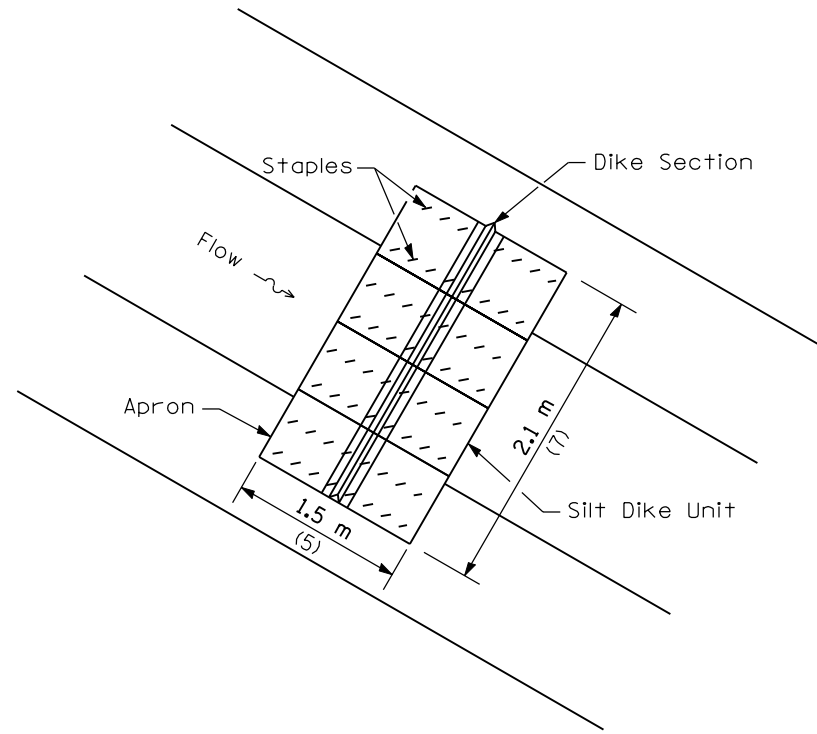
APPROVED January 1, 2002  
*Michael L. Hine*  
 ENGINEER OF DESIGN AND ENVIRONMENT

DATE	REVISIONS
1-1-02	Rev. ditch ck details & added perimeter erosion barrier detail.
1-1-99	Clar. ditch check dimen. Rev. filter fence sym. & inlet & pipe prot. detail.

**TEMPORARY EROSION CONTROL SYSTEMS**

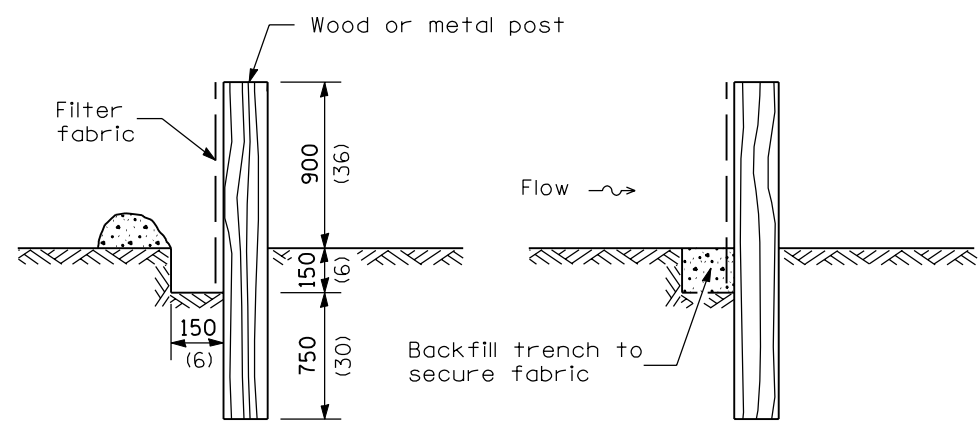
(Sheet 1 of 3)

**STANDARD 280001-02**



Point A must be higher than Point B to ensure that water flows over the dike and not around the ends.

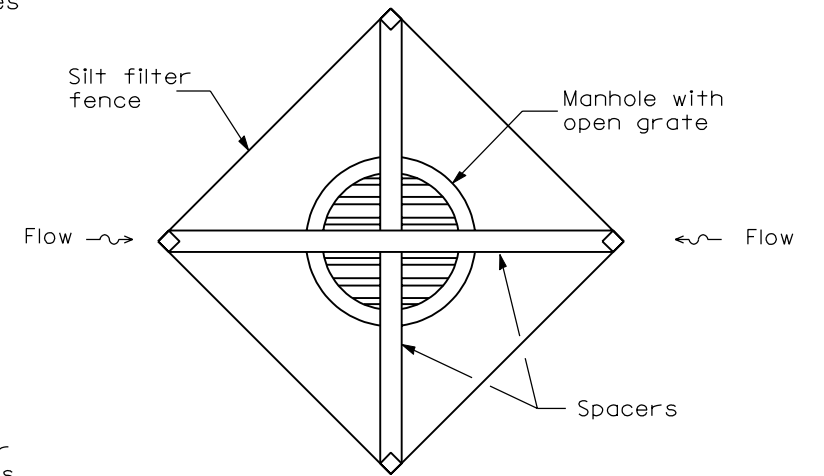
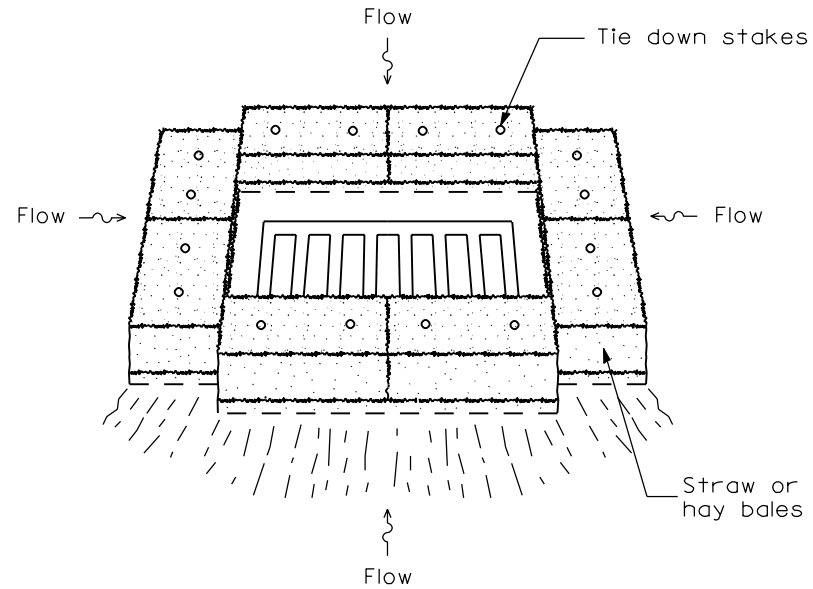
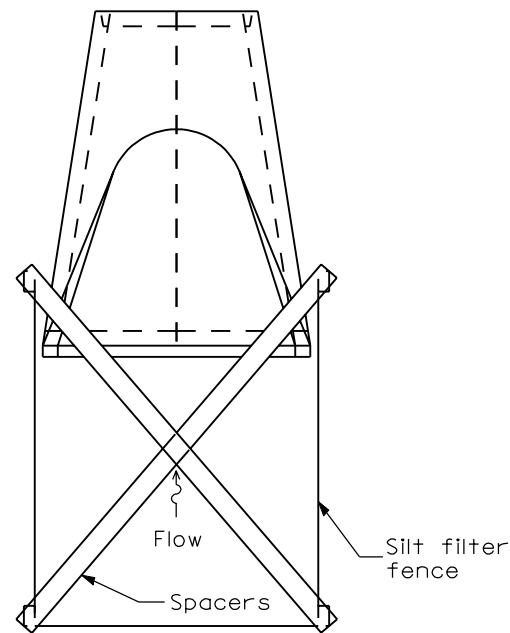
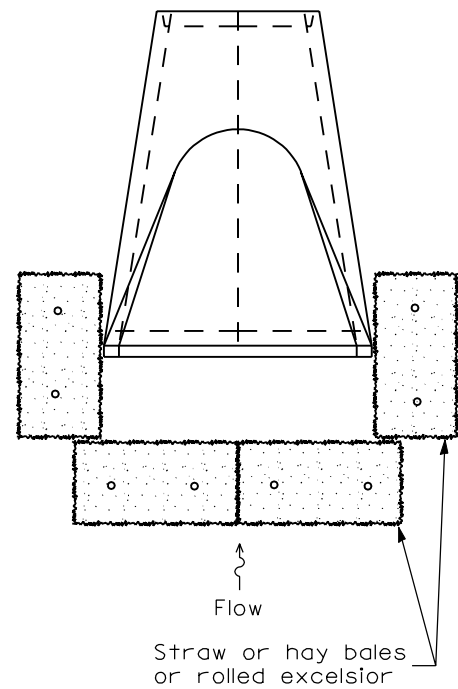
**URETHANE FOAM/GEOTEXTILE DITCH CHECK**



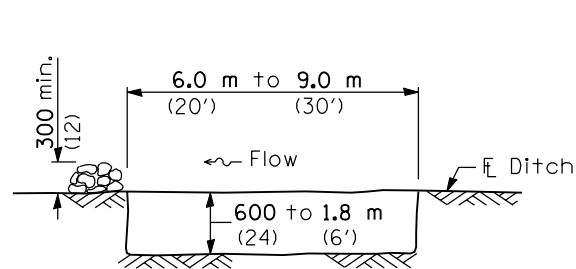
**SILT FILTER FENCE AS A PERIMETER EROSION BARRIER**

Illinois Department of Transportation  
 PASSED January 1, 2002  
 ENGINEER OF POLICY AND PROCEDURES  
 APPROVED January 1, 2002  
 ENGINEER OF DESIGN AND ENVIRONMENT

TEMPORARY EROSION CONTROL SYSTEMS  
 (Sheet 2 of 3)  
**STANDARD 280001-02**

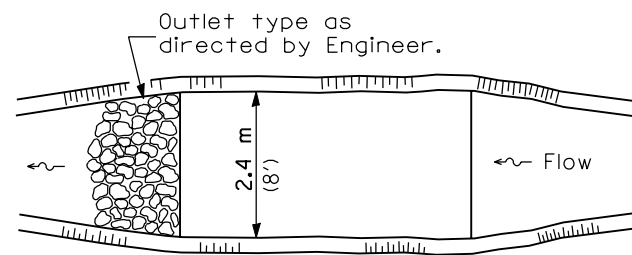


**INLET AND PIPE PROTECTION**



The performance of the basin will improve if put into a series.

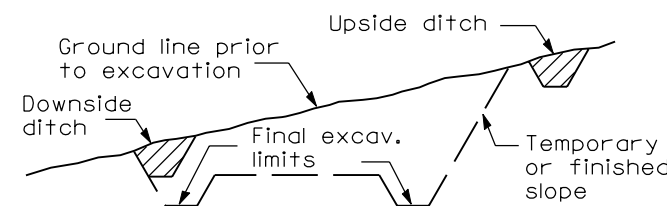
ELEVATION



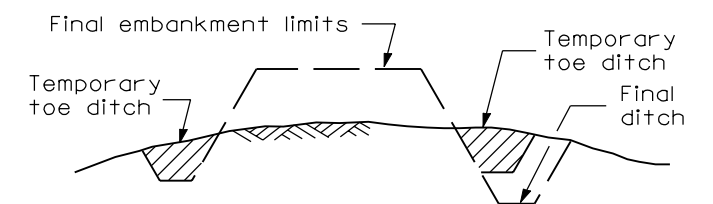
The long dimension should be parallel with the direction of the flow. Accumulated silt shall be removed anytime the basins become 75% filled.

PLAN

**SEDIMENT BASIN**



TYPICAL CUT CROSS SECTION



TYPICAL FILL CROSS SECTION

**TEMPORARY DITCHES FOR CUT & FILL SECTIONS**

**TEMPORARY EROSION CONTROL SYSTEMS**

(Sheet 3 of 3)

**STANDARD 280001-02**

Illinois Department of Transportation	
PASSED January 1, 2002 <i>Ryan Driskell</i> ENGINEER OF POLICY AND PROCEDURES	ISSUED 1-1-97
APPROVED January 1, 2002 <i>Michael L. Hine</i> ENGINEER OF DESIGN AND ENVIRONMENT	