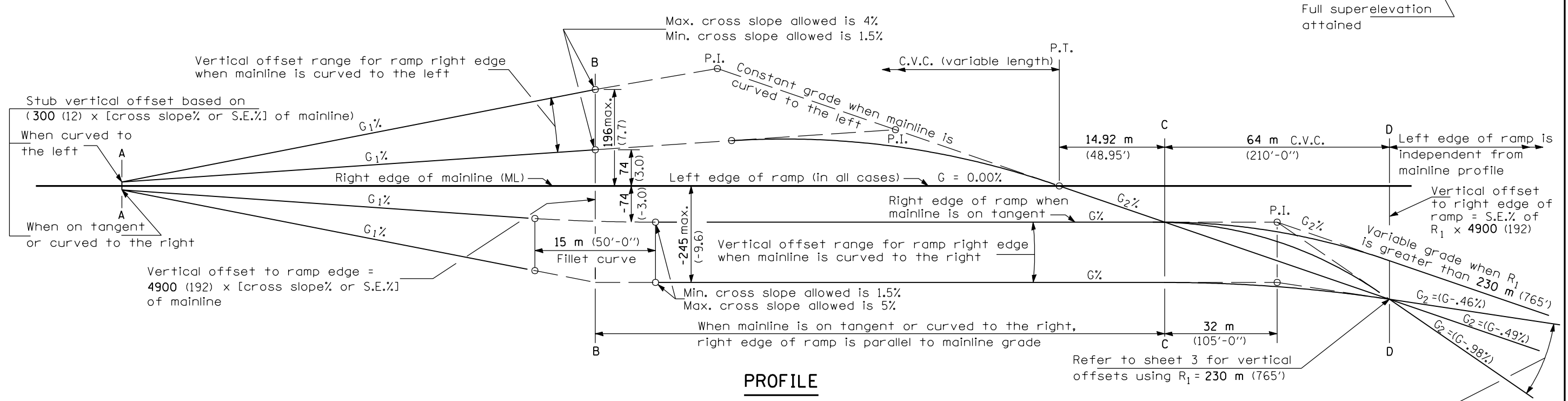


PLAN



PROFILE

See Sheet 3 for GENERAL NOTES

Illinois Department of Transportation

PASSED January 1, 2003
Ryan Dinkell
 ENGINEER OF POLICY AND PROCEDURES

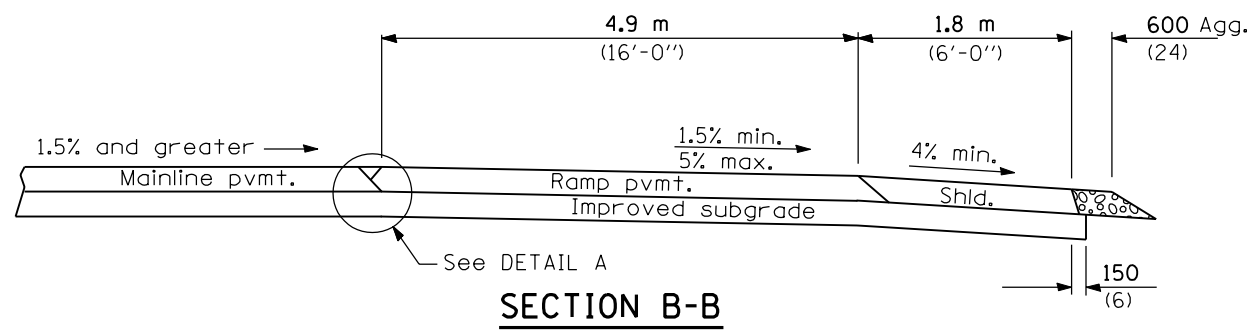
APPROVED January 1, 2003
Michael L. Hine
 ENGINEER OF DESIGN AND ENVIRONMENT

ISSUED 1-1-97

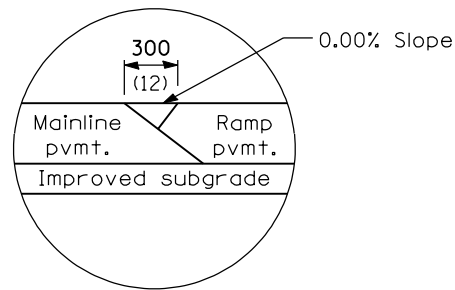
DATE	REVISIONS
1-1-03	Revised title
1-1-00	Rev. C _L & C _R to C _{BK} & C _{CAH} . Moved Swale \bar{f} , Labeled Phys. Nose & Gore Nose. Rev. GENERAL NOTES.

EXIT RAMP TERMINAL
 (FLEXIBLE RAMP PAVEMENT ADJACENT
 TO FLEXIBLE MAINLINE PAVEMENT)
 (Sheet 1 of 3)

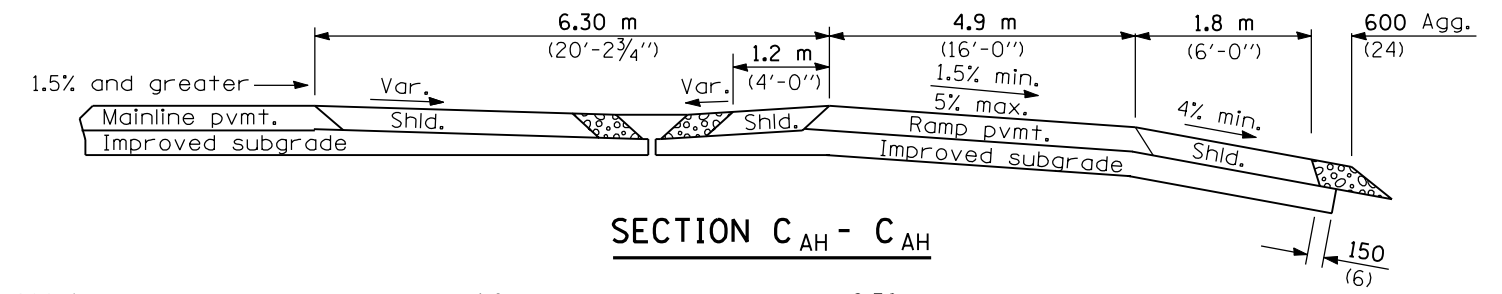
STANDARD 406101-02



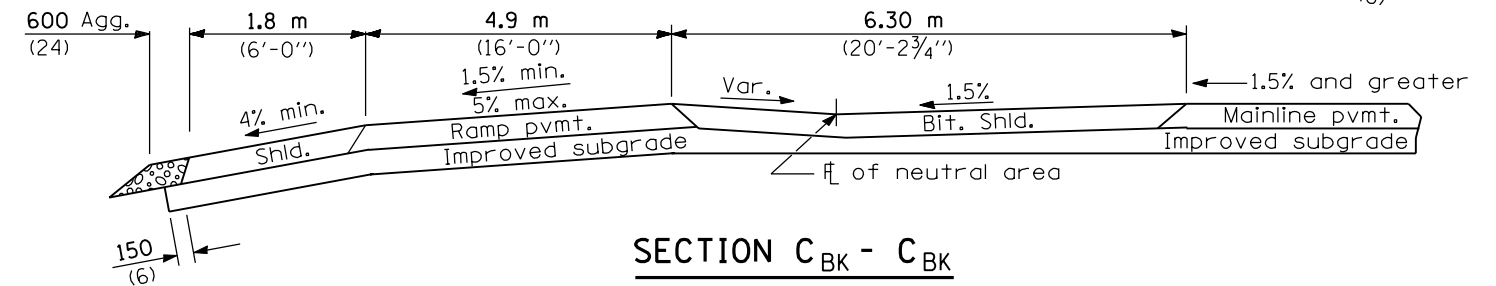
SECTION B-B



DETAIL A



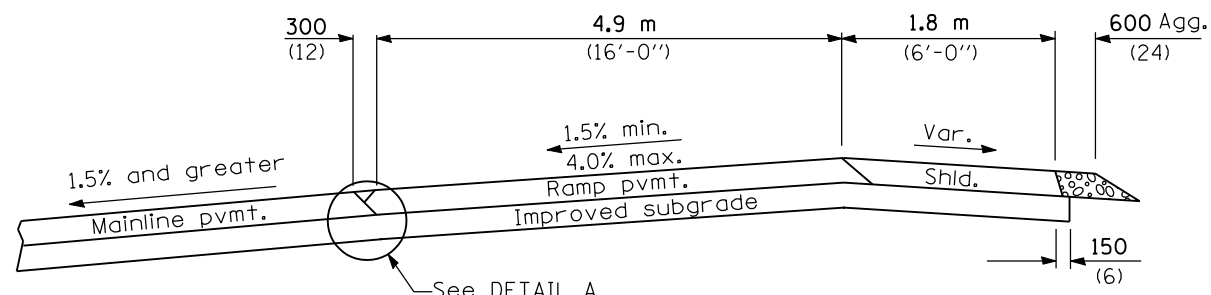
SECTION C_{AH} - C_{AH}



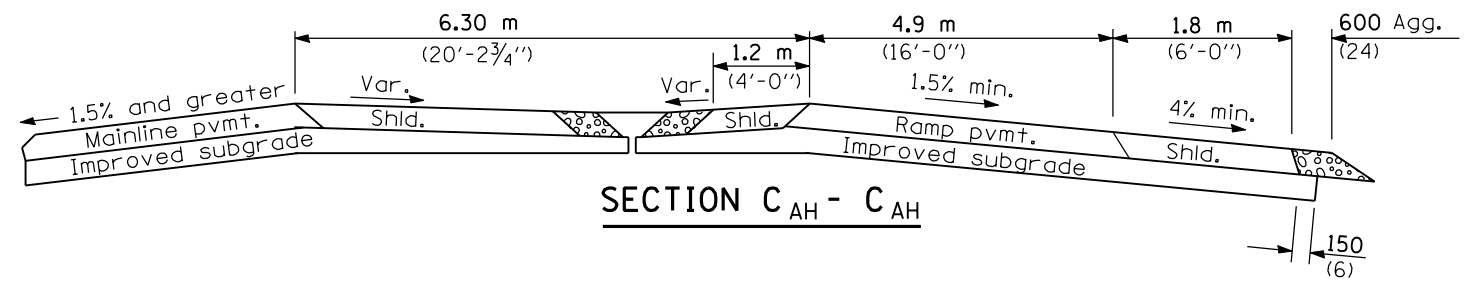
SECTION C_{BK} - C_{BK}

WHEN MAINLINE IS ON TANGENT OR CURVED TO THE RIGHT

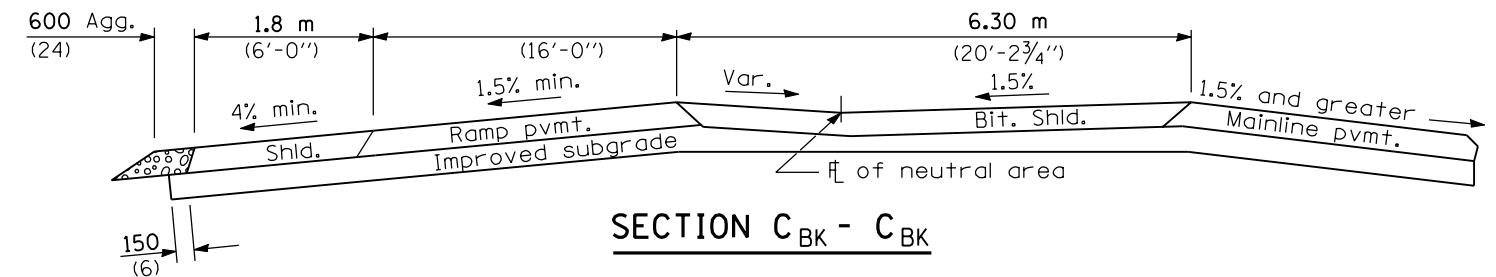
BK = Back
AH = Ahead



SECTION B-B



SECTION C_{AH} - C_{AH}



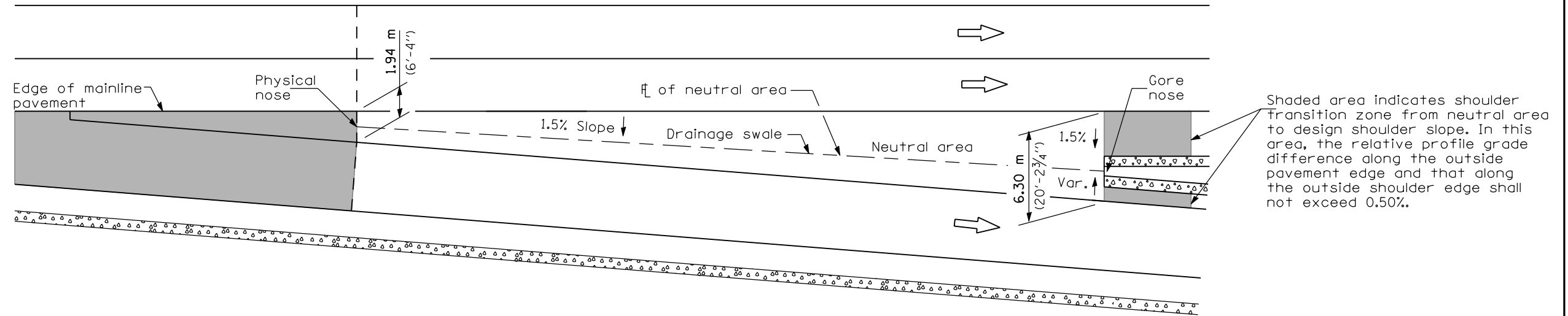
SECTION C_{BK} - C_{BK}

WHEN MAINLINE IS CURVED TO THE LEFT

See Sheet 3 for GENERAL NOTES

Illinois Department of Transportation
 PASSED January 1, 2003
Roger Dinkell
 ENGINEER OF POLICY AND PROCEDURES
 APPROVED January 1, 2003
Michael L. Hine
 ENGINEER OF DESIGN AND ENVIRONMENT
 ISSUED 1-1-97

EXIT RAMP TERMINAL
 (FLEXIBLE RAMP PAVEMENT ADJACENT
 TO FLEXIBLE MAINLINE PAVEMENT)
 (Sheet 2 of 3)
STANDARD 406101-02



DETAILS FOR DRAINAGE IN NEUTRAL AREA

GENERAL NOTES

The initial ramp grade (G_2) is based on the line generated through the PI that is 32 m past Section C-C and the point created by the vertical offset at Section D-D.

See plans for actual grades.

See Standard 482001 for ramp shoulder details.

In the neutral area, provide a swale and flush inlet to enhance drainage.

When using grades expressed in %, the grade values shall be divided by 100 to obtain vertical offsets.

Where an exit ramp terminal is proposed adjacent to a mainline horizontal curve, construct the edge of the terminal by using offset widths, and for the terminal segment downstream from Section C-C to R_1 , construct the ramp as a 43 m tangent section.

All dimensions are in millimeters (inches) unless otherwise shown.

① Vertical offsets in mm for right edge of ramp, when $R_1 = 230$ m				Vertical offsets in inches for right edge of ramp, when $R_1 = 765'$			
Sections	Mainline on Tangent	Mainline Curved Right	Mainline Curved Left	Sections	Mainline on Tangent	Mainline Curved Right	Mainline Curved Left
A	- 5	S.E.% ML x 300	S.E.% ML x 300 ②	A	- 0.18	S.E. % ML x 12	S.E. % ML x 12 ②
B	- 74	S.E.% ML x 4900	S.E.% ML x 4900 ②	B	- 3.0	S.E. % ML x 192	S.E. % ML x 192 ②
C	- 74	S.E. % ML x 4900	- 74	C	- 3.0	S.E. % ML x 192	- 3.0
D	- 392	- 392	- 392	D	- 15.4	- 15.4	- 15.4

① Vertical offset values are calculated and based on the right edge of mainline pavement at 0.0 % grade.

② The vertical offsets of these points are above the mainline pavement and lie on an upgrade in relationship to the mainline grade.

③ S.E.=Superelevation Rate

EXIT RAMP TERMINAL

(FLEXIBLE RAMP PAVEMENT ADJACENT TO FLEXIBLE MAINLINE PAVEMENT)

(Sheet 3 of 3)

STANDARD 406101-02

Illinois Department of Transportation

PASSED January 1, 2003
Ryan Dinkell
 ENGINEER OF POLICY AND PROCEDURES

APPROVED January 1, 2003
Michael L. Hine
 ENGINEER OF DESIGN AND ENVIRONMENT

ISSUED 1-1-97