

**GENERAL NOTES**

Transverse joints may be moved to accommodate roundout. Edge of circular joint shall be minimum 600 (24) from transverse joint. Relocated transverse joint shall be continuous from edge of pavement to edge of pavement.

The transverse joint spacing should be adjusted to avoid using the DETAIL AT TRANSVERSE JOINT. If the joint cannot be adjusted to use the DETAIL NEAR TRANSVERSE JOINT, the joint must be in the center of the structure as shown.

Circular form shall be removed prior to drill and grout of tie bars.

Drill and grout is preferred, however tie bars can be poured in place if clearance is provided to outer edge of frame. Maximum 50 (2) clearance.

Shims shall be used to adjust all frames. After adjusting mortar has cured, the shims shall be removed and the voids under the frames filled with nonshrink grout.

Hoop reinforcement shall be one piece construction having a minimum lap length of 0.6 m (2'-0").

All situations not shown and may require combination of details.

WHEN USING CAST IN PLACE:

Frame shall be anchored to the structure to prevent movement during the paving operation.

All dimensions are in millimeters (inches) unless otherwise shown.

Illinois Department of Transportation

PASSED January 1, 2004  
*Michael Beard*  
 ENGINEER OF POLICY AND PROCEDURES

APPROVED January 1, 2004  
*Michael L. Hine*  
 ENGINEER OF DESIGN AND ENVIRONMENT

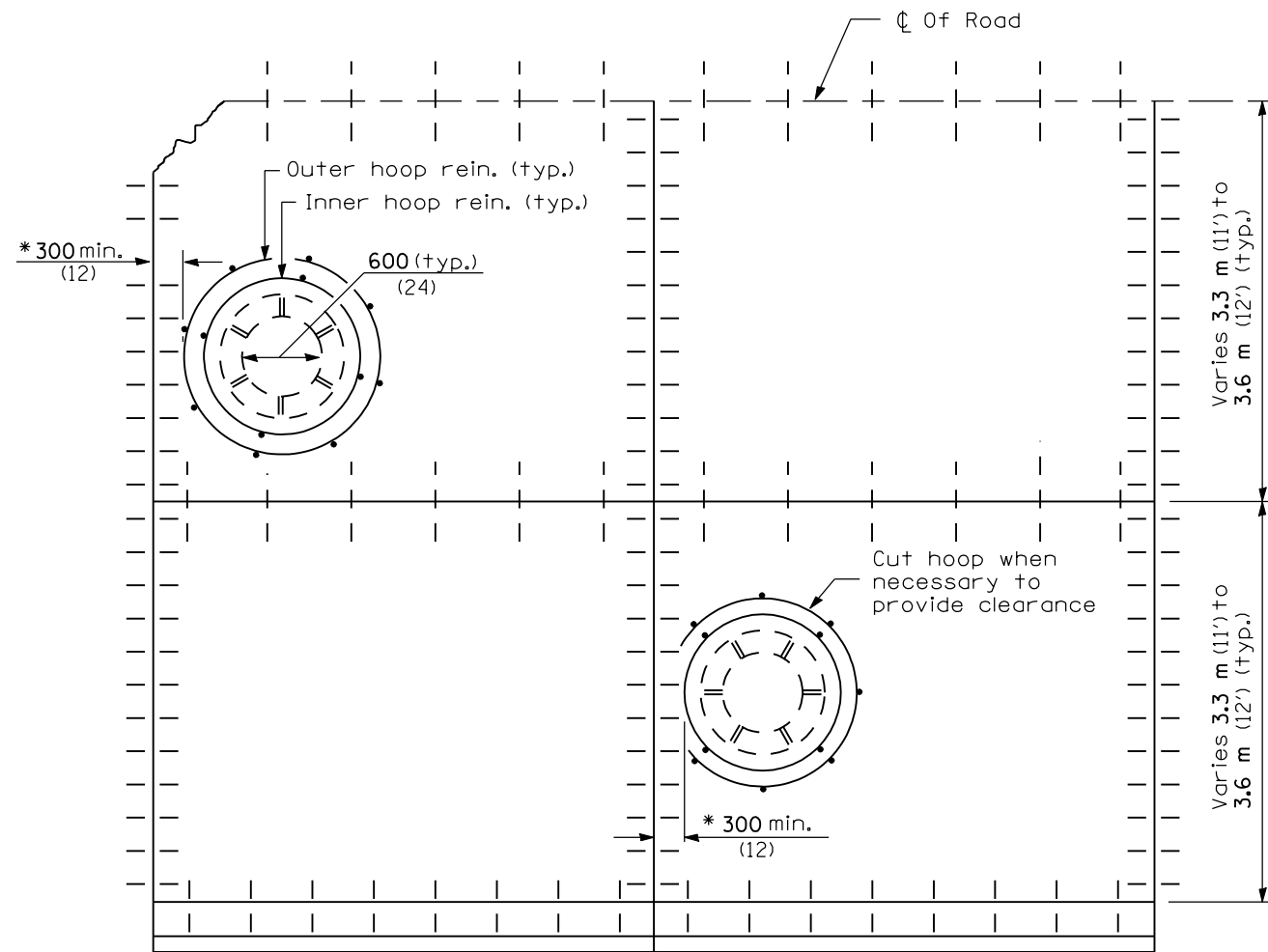
ISSUED 1-1-97

DATE	REVISIONS
1-1-04	Soft converted metric reinf.
1-1-00	New Standard

**PCC PAVEMENT ROUNDOUTS**

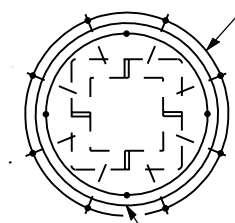
(Sheet 1 of 2)

**STANDARD 420111-01**



\* Less than 300 (12) formed roundout to be used.

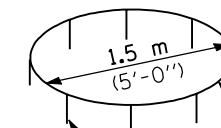
CAST IN PLACE DETAIL



Circular form

All dimensions same for the majority of circular frame & grates. For larger structures increase hoop bar and circular form diameter by 300 (12) each and add two additional equally spaced tie bars.

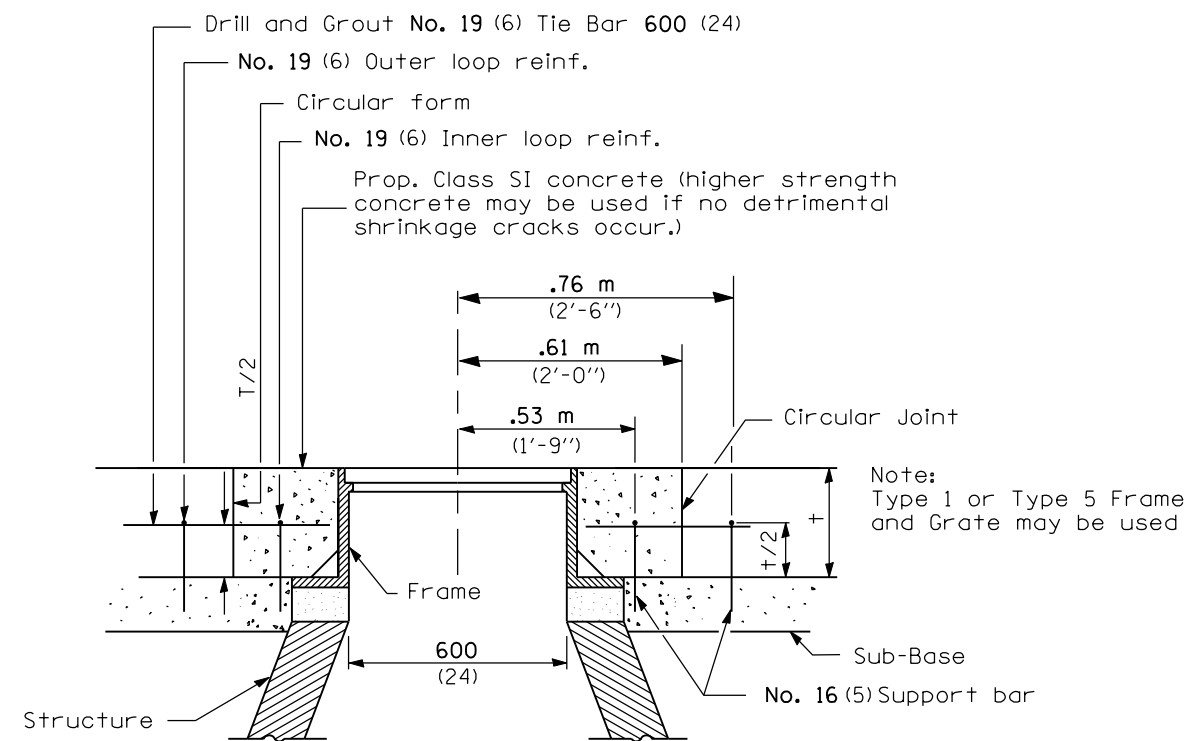
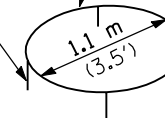
ROUNDOUT FOR SQUARE FRAME & GRATE AND MANHOLES



No. 19 (6) bar placed at pavement midpoint

No. 13 (4) 300 (12) long bars to be pounded into subgrade as chairs and tied. (min. of 4 for inner hoop and 8 for outer hoop)

Inner hoop may rest dowel bar (tie bar to longitudinal joint) or tie bars which shall not interfere in the alignment.



DETAIL OF REINFORCEMENT FOR PAVEMENT ROUNDOUT

All dimensions are in millimeters (inches) unless otherwise shown.

**PCC PAVEMENT ROUNDOUTS**

(Sheet 2 of 2)

**STANDARD 420111-01**

Illinois Department of Transportation

PASSED January 1, 2004  
*Michael Brand*  
 ENGINEER OF POLICY AND PROCEDURES

APPROVED January 1, 2004  
*Michael L. Hine*  
 ENGINEER OF DESIGN AND ENVIRONMENT

ISSUED 1-1-97