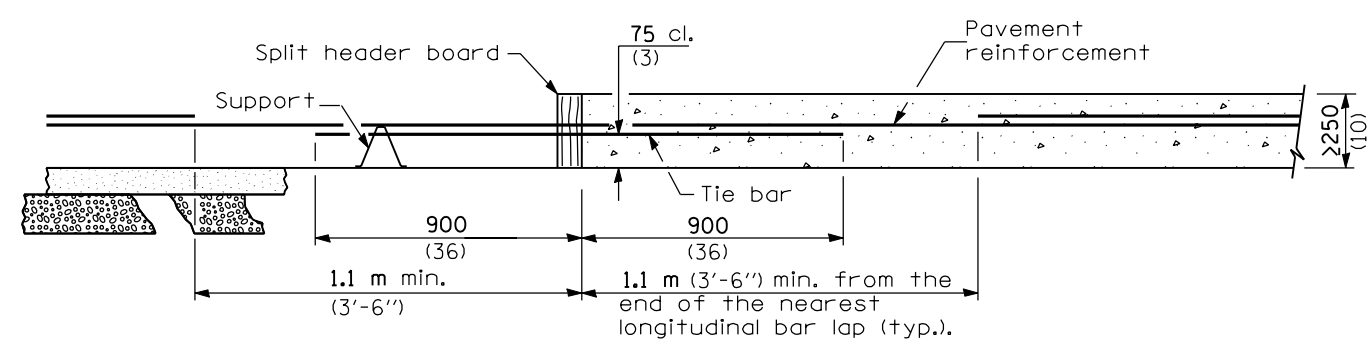
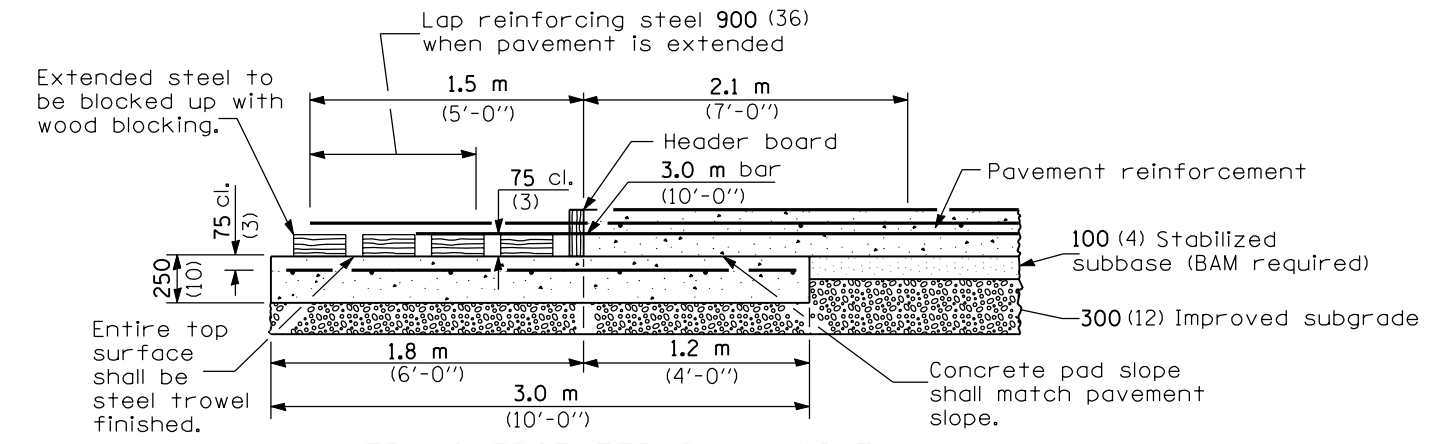


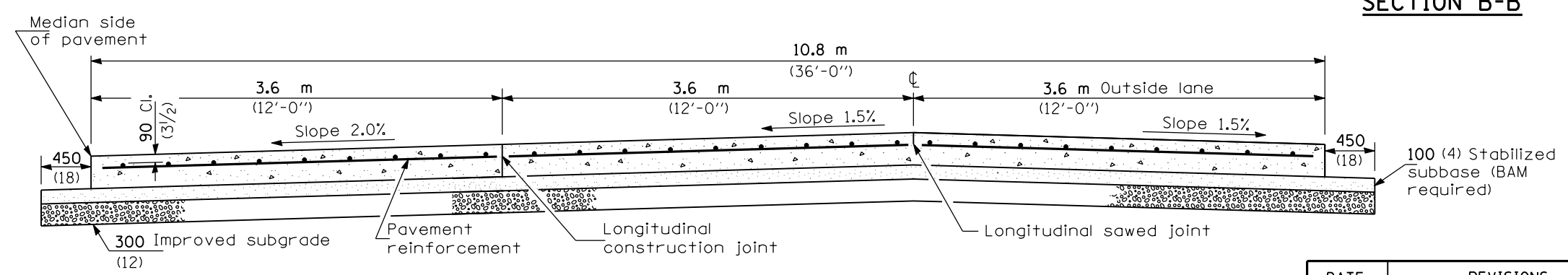
PLAN



TRANSVERSE CONSTRUCTION JOINT



TRANSVERSE TERMINAL JOINT SECTION B-B



SECTION A-A

(TYPICAL 3-LANE, 1-WAY WITH SHOULDERS)

GENERAL NOTES

- See Standard 421001 for details of pavement reinforcement.
- See Standards 420001 and 420401 for joint details not shown.
- All dimensions are in millimeters (inches) unless otherwise shown.

Illinois Department of Transportation

PASSED January 1, 2004

ENGINEER OF POLICY AND PROCEDURES

APPROVED January 1, 2004

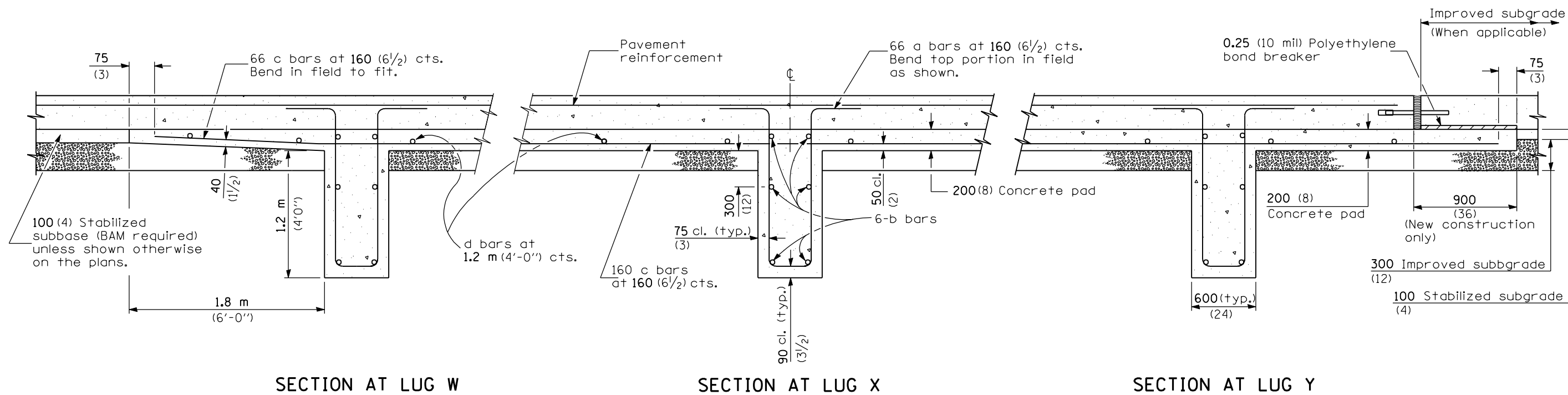
ENGINEER OF DESIGN AND ENVIRONMENT

ISSUED 1-1-97

DATE	REVISIONS
1-1-04	Rev. width of trans. expansion joint.
1-1-03	Soft-converted metric reinf. bars

10.8 m (36')
CRC PAVEMENT
 (WITH LUG SYSTEM)
 (Sheet 1 of 2)

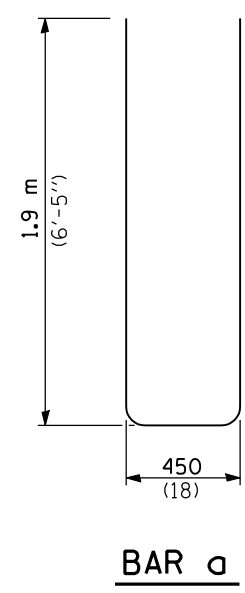
STANDARD 421206-04



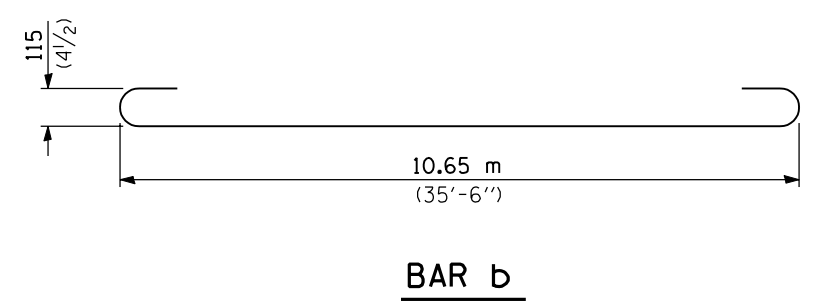
SECTION AT LUG W

SECTION AT LUG X

SECTION AT LUG Y



BAR a



BAR b

MATERIALS REQUIRED FOR (1) ONE LUG SYSTEM
(Excluding Pavement Concrete and Pavement Reinforcement)

Bar	No.	Size	Length	Shape
a	198	No. 25 (No. 8)	4.25 m (14'-0")	⎓
b	18	No. 16 (No. 5)	11.30 m (36'-9")	⎓
c	198	No. 16 (No. 5)	6.10 m (20'-0")	⎓
d	42	No. 13 (No. 4)	3.52 m (11'-9")	⎓

Concrete, m ³ (cu. yds.)	23.3 (32.0)
Reinforcing Bars, kg (lbs.)	5695 (12,55)
Concrete Pad, m ² (sq. yds.)	155.5 (192)
Improved Subgrade, m ² (sq. yds.)	168.5 (208)

All dimensions are in millimeters (inches) unless otherwise shown.

10.8 m (36')
CRC PAVEMENT
(WITH LUG SYSTEM)
(Sheet 2 of 2)

STANDARD 421206-04

Illinois Department of Transportation

PASSED January 1, 2004
Michael Brand
ENGINEER OF POLICY AND PROCEDURES

APPROVED January 1, 2004
Michael L. Hine
ENGINEER OF DESIGN AND ENVIRONMENT

ISSUED 1-1-97