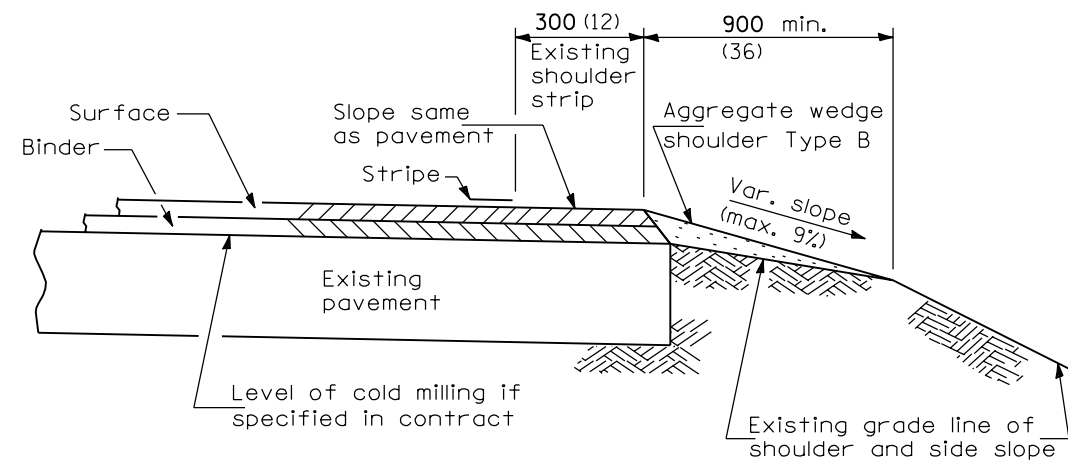


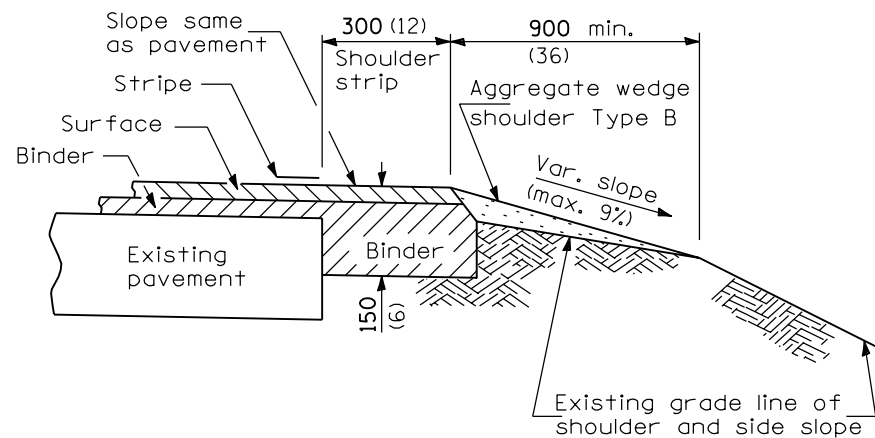
**BITUMINOUS SHOULDER STRIP AND  
AGGREGATE WEDGE WITH WIDENING**

(Cross-section A)



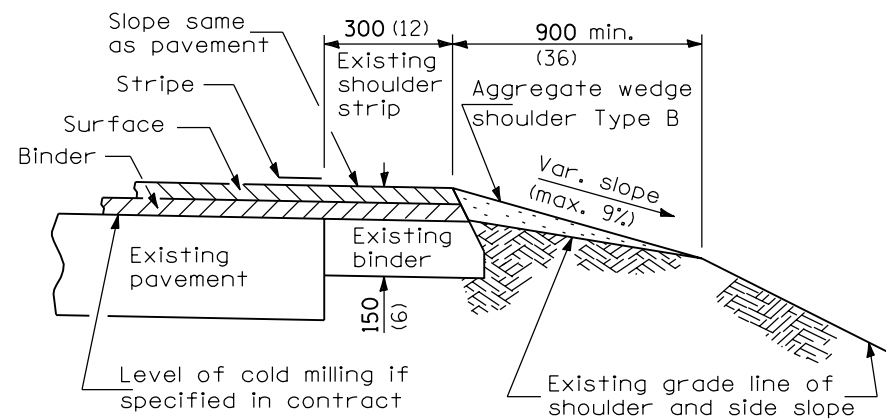
**COLD MILLING AND/OR RESURFACING OF  
EXISTING PAVEMENT WITH SHOULDER STRIPS**

(Cross-section C)



**BITUMINOUS SHOULDER STRIP AND  
AGGREGATE WEDGE WITH RESURFACING**

(Cross-section B)



**COLD MILLING AND/OR RESURFACING OF  
EXISTING PAVEMENT WITH SHOULDER STRIPS**

(Cross-section D)

All dimensions are in millimeters (inches) unless otherwise shown.

Illinois Department of Transportation

PASSED January 1, 1998  
*Cheryl Colby*  
 ENGINEER OF POLICY AND PROCEDURES

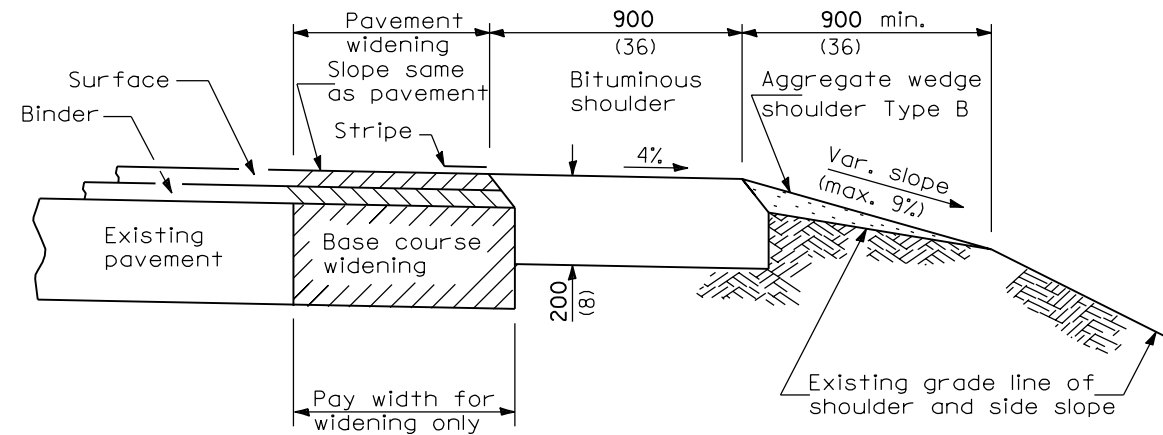
APPROVED January 1, 1998  
*Bill Hunter*  
 ENGINEER OF DESIGN AND ENVIRONMENT

ISSUED 1-1-97

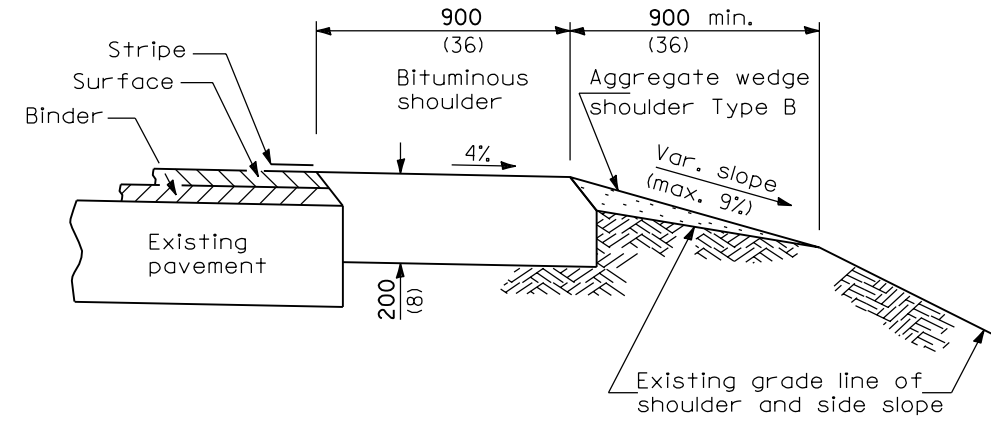
DATE	REVISIONS
1-1-98	Elimin. line x-sec. B
	Bit. Shldr. lift lines eliminated.
1-1-97	Renum. Standard 2239-9.
	Totally revised. Combined with Standard 2359-4.

**BIT. SHLD. STRIPS/SHLDS. WITH  
RESURFACING OR WIDENING  
AND RESURFACING PROJECTS**  
 (Sheet 1 of 2)

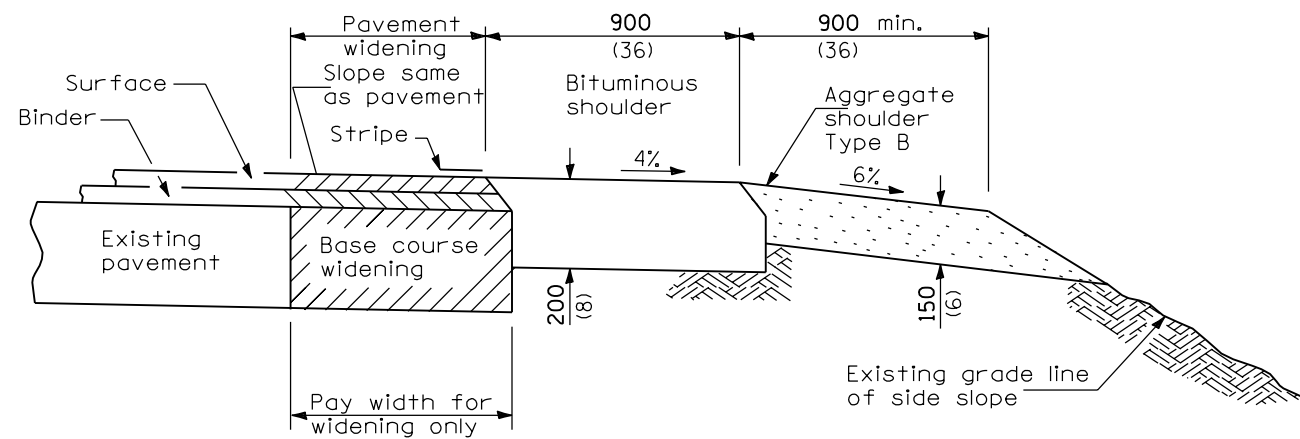
**STANDARD 482011-01**



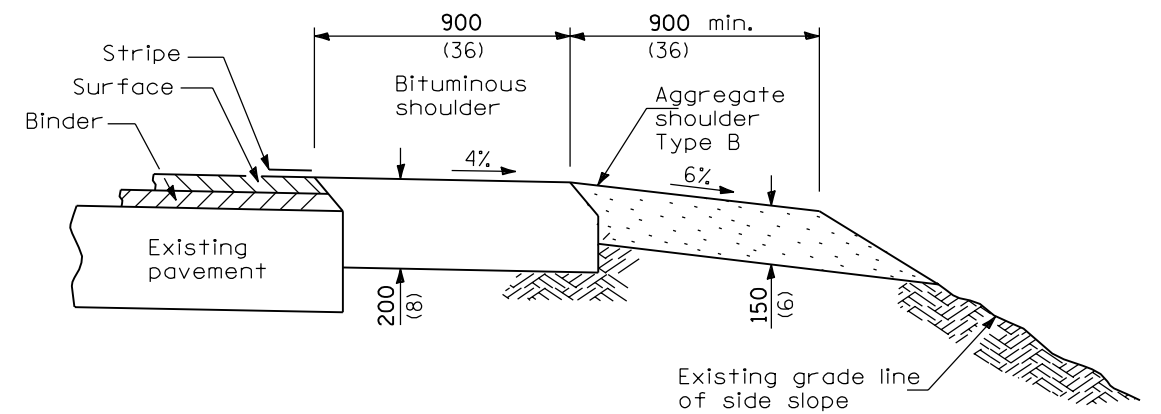
**BITUMINOUS SHOULDER AND AGGREGATE  
WEDGE WITH WIDENING**  
(Cross-section E)



**BITUMINOUS SHOULDER AND AGGREGATE  
WEDGE WITH RESURFACING**  
(Cross-section G)



**BITUMINOUS AND AGGREGATE  
SHOULDERS WITH WIDENING**  
(Cross-section F)



**BITUMINOUS AND AGGREGATE SHOULDERS  
WITH RESURFACING**  
(Cross-section H)

All dimensions are in millimeters (inches) unless otherwise shown.

**BIT. SHLD. STRIPS/SHLDS. WITH  
RESURFACING OR WIDENING  
AND RESURFACING PROJECTS**  
(Sheet 2 of 2)

**STANDARD 482011-01**

Illinois Department of Transportation	
PASSED <u>January 1, 1998</u>  ENGINEER OF POLICY AND PROCEDURES	ISSUED 1-1-97
APPROVED <u>January 1, 1998</u>  ENGINEER OF DESIGN AND ENVIRONMENT	