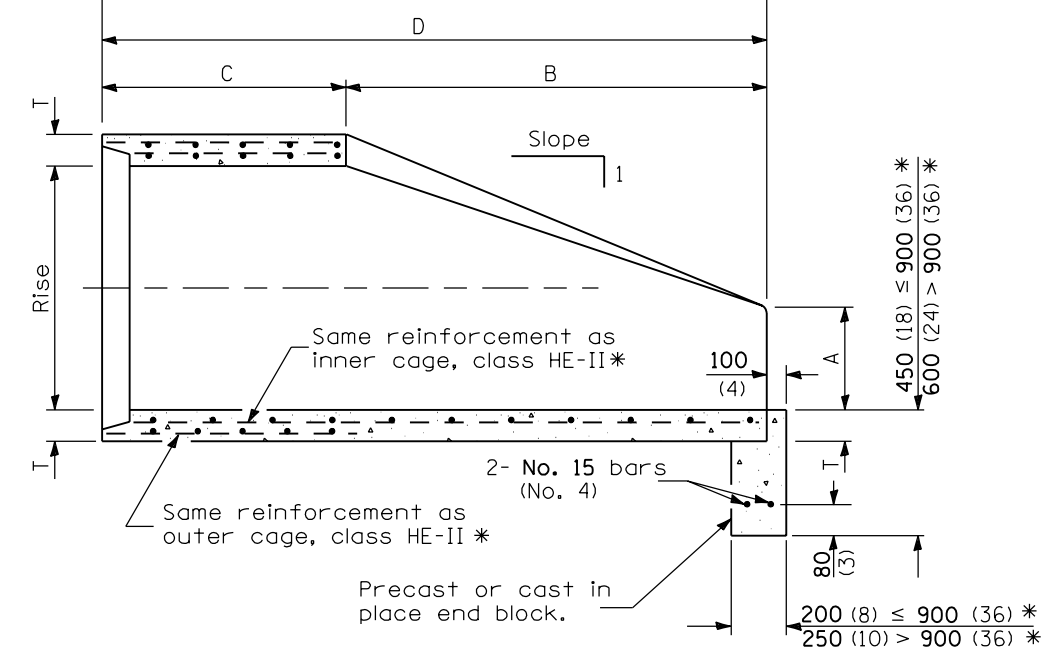


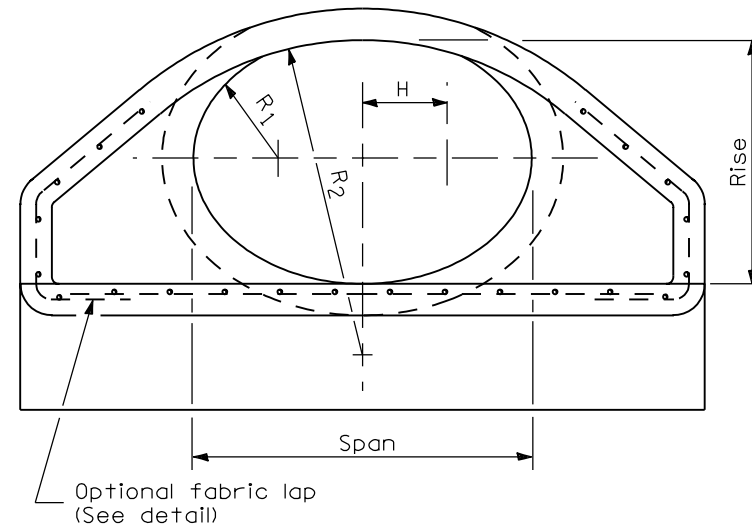
PLAN



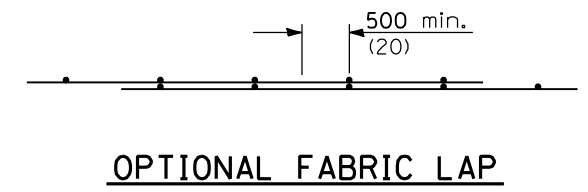
SECTION A-A

* Refers to the equivalent pipe diameter.

SPAN	RISE	EQUIV. DIA.	WALL T	A	B	C	D	E	H	R	R ₁	R ₂	APPROX. SLOPE
584 (23)	356 (14)	450 (18)	70 (2 3/4)	203 (8)	686 (27)	1.143 m (3'-9")	1.829 m (6'-0")	914 (36)	137 (5 3/8)	152 (6)	152 (6)	508 (20)	1:3.1
762 (30)	483 (19)	600 (24)	83 (3 1/4)	216 (8 1/2)	991 (39)	838 (33)	1.829 m (6'-0")	1.219 m (4'-0")	175 (6 7/8)	178 (7)	210 (8 1/4)	667 (26 1/4)	1:2.8
864 (34)	559 (22)	675 (27)	89 (3 1/2)	229 (9)	1.219 m (4'-0")	610 (24)	1.829 m (6'-0")	1.372 m (4'-6")	197 (7 3/4)	203 (8)	235 (9 1/4)	743 (29 1/4)	1:2.9
965 (38)	610 (24)	750 (30)	95 (3 3/4)	241 (9 1/2)	1.372 m (4'-6")	457 (18)	1.829 m (6'-0")	1.524 m (5'-0")	219 (8 5/8)	229 (9)	260 (10 1/4)	832 (32 3/4)	1:2.9
1143 (45)	737 (29)	900 (36)	114 (4 1/2)	286 (11 1/4)	1.524 m (5'-0")	914 (36)	2.438 m (8'-0")	1.829 m (6'-0")	267 (10 1/2)	305 (12)	311 (12 1/4)	997 (39 1/4)	1:2.7
1346 (53)	864 (34)	1050 (42)	127 (5)	400 (15 3/4)	1.524 m (5'-0")	914 (36)	2.438 m (8'-0")	1.981 m (6'-6")	308 (12 1/8)	330 (13)	368 (14 1/2)	1.168 m (3'-10")	1:2.6
1524 (60)	965 (38)	1200 (48)	140 (5 1/2)	533 (21)	1.524 m (5'-0")	914 (36)	2.438 m (8'-0")	2.134 m (7'-0")	343 (13 1/2)	356 (14)	419 (16 1/2)	1.308 m (4'-3 1/2")	1:2.7
1727 (68)	1092 (43)	1350 (54)	152 (6)	660 (26)	1.524 m (5'-0")	914 (36)	2.438 m (8'-0")	2.286 m (7'-6")	387 (15 1/4)	406 (16)	476 (18 3/4)	1.486 m (4'-10 1/2")	1:2.6
1930 (76)	1219 (48)	1500 (60)	165 (6 1/2)	787 (31)	1.524 m (5'-0")	914 (36)	2.438 m (8'-0")	2.439 m (8'-0")	432 (17)	457 (18)	527 (20 3/4)	1.651 m (5'-5")	1:2.6



END VIEW



OPTIONAL FABRIC LAP

GENERAL NOTES

All slope ratios are expressed as units of vertical displacement to units of horizontal displacement (V:H).

All dimensions are in millimeters (inches) unless otherwise shown.

Illinois Department of Transportation

APPROVED January 1, 1997
Ralph E. Anderson
 ENGINEER OF BRIDGES AND STRUCTURES

APPROVED January 1, 1997
Ray Stoddard
 ENGINEER OF DESIGN AND ENVIRONMENT

ISSUED 1-1-97

DATE	REVISIONS
1-1-97	Renum. Standard 2440-2. Deleted DN Symbol.
11-1-94	Rev. metric values and slopes.

PRECAST REINFORCED CONCRETE ELLIPTICAL FLARED END SECTION

STANDARD 542306