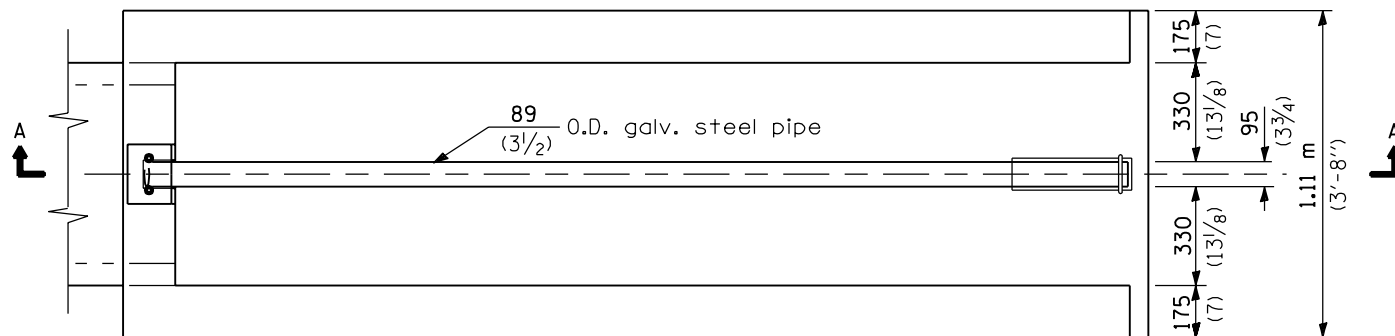
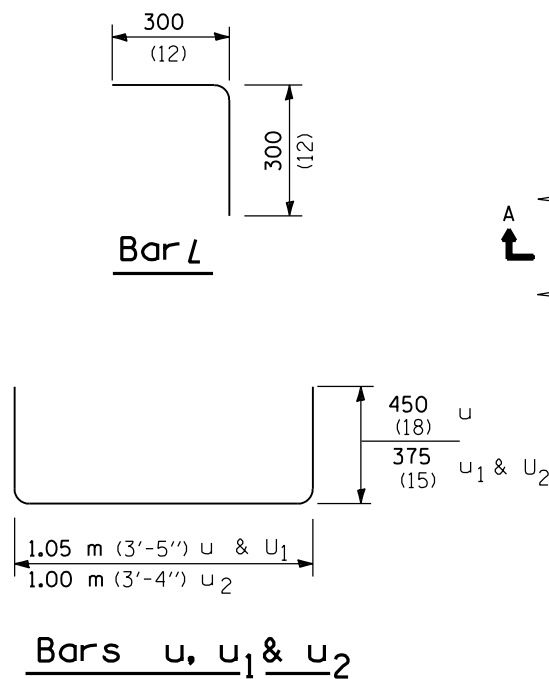
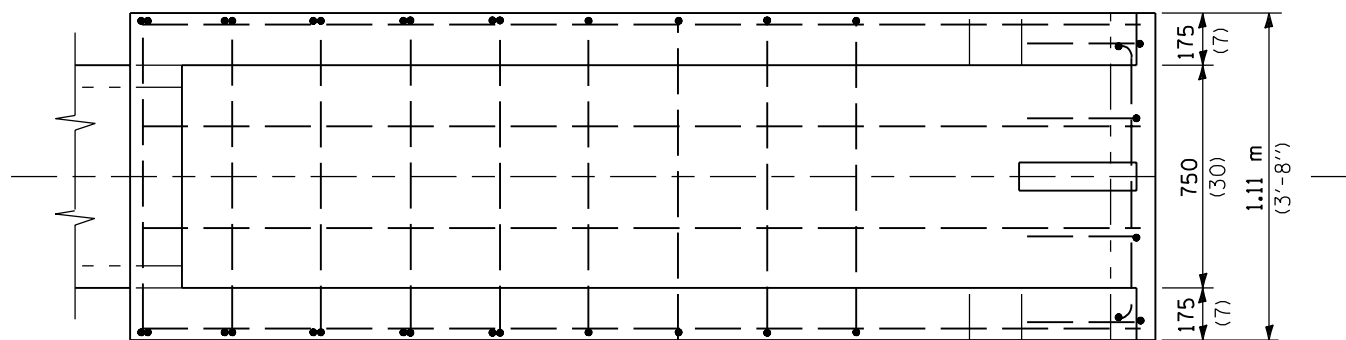


SECTION A-A

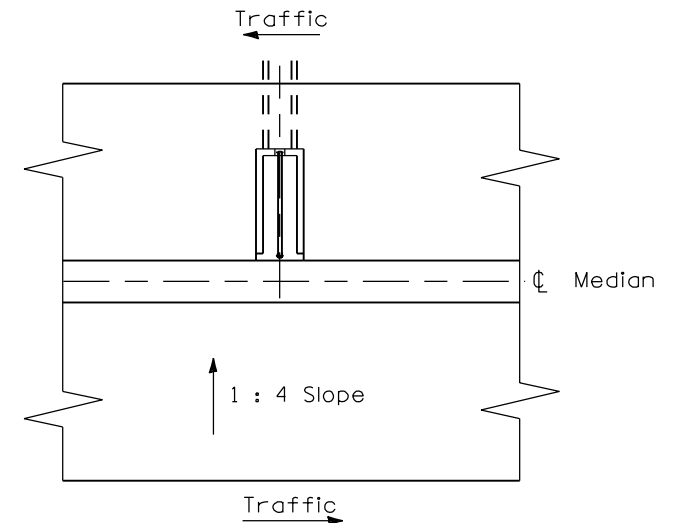
Material required for one inlet box			
Bar	Qty.	Size	Length
h	4	No. 15 (No. 4)	3.35 m (11'-0")
h <sub>1</sub>	2	No. 15 (No. 4)	2.45 m (8'-0")
h <sub>2</sub>	2	No. 15 (No. 4)	3.45 m (11'-4")
L	4	No. 15 (No. 4)	0.60 m (2'-0")
u	8	No. 15 (No. 4)	1.95 m (6'-5")
u <sub>1</sub>	3	No. 15 (No. 4)	1.80 m (5'-11")
u <sub>2</sub>	2	No. 15 (No. 4)	1.75 m (5'-10")
v	2	No. 15 (No. 4)	760 (30)
v <sub>1</sub>	2	No. 15 (No. 4)	680 (27)
v <sub>2</sub>	6	No. 15 (No. 4)	460 (18)
Concrete Cast-in-place or Precast	m <sup>3</sup> (cu. yds.)		1.2 (1.6)
Reinf. Bars	kg (lbs.)		91 (127)
Galv. Steel Pipe	89 (3 1/2) O.D.		3.37m (11'-1 1/8")



PLAN



PLAN OF REINFORCEMENT



Sketch showing location and direction of box in relation to  $\phi$  median.

GENERAL NOTES

All slope ratios are expressed as units of vertical displacement to units of horizontal displacement (V:H).

All dimensions are in millimeters (inches) unless otherwise shown.

DATE	REVISIONS
1-1-97	Renum. Standard 2247-9.
6-15-94	Moved G.N. to Specs. Revised title. Added Metric and slope note.

INLET BOX  
TYPE 600 (24) B

(Sheet 1 of 2)

STANDARD 542506

Illinois Department of Transportation

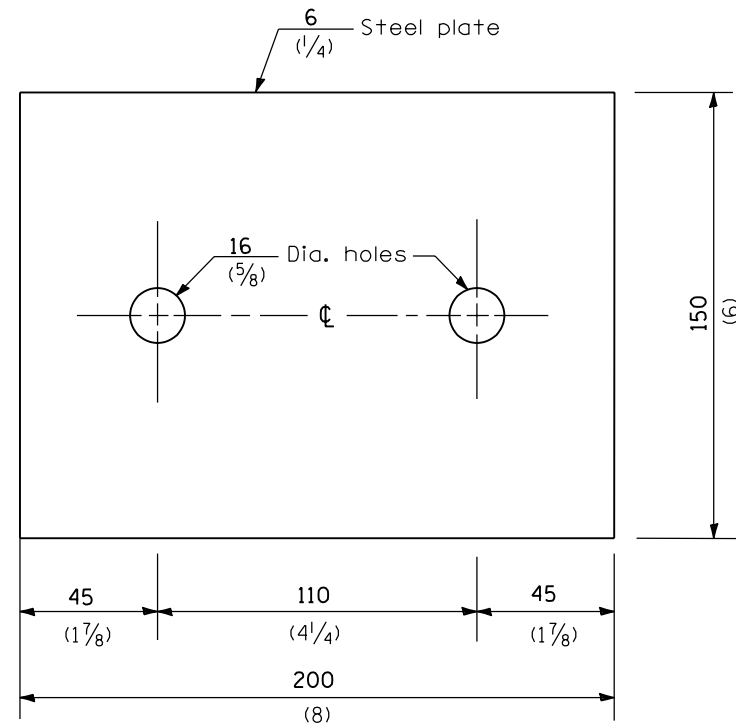
PASSED January 1, 1997

ENGINEER OF POLICE AND PROCEDURES

APPROVED January 1, 1997

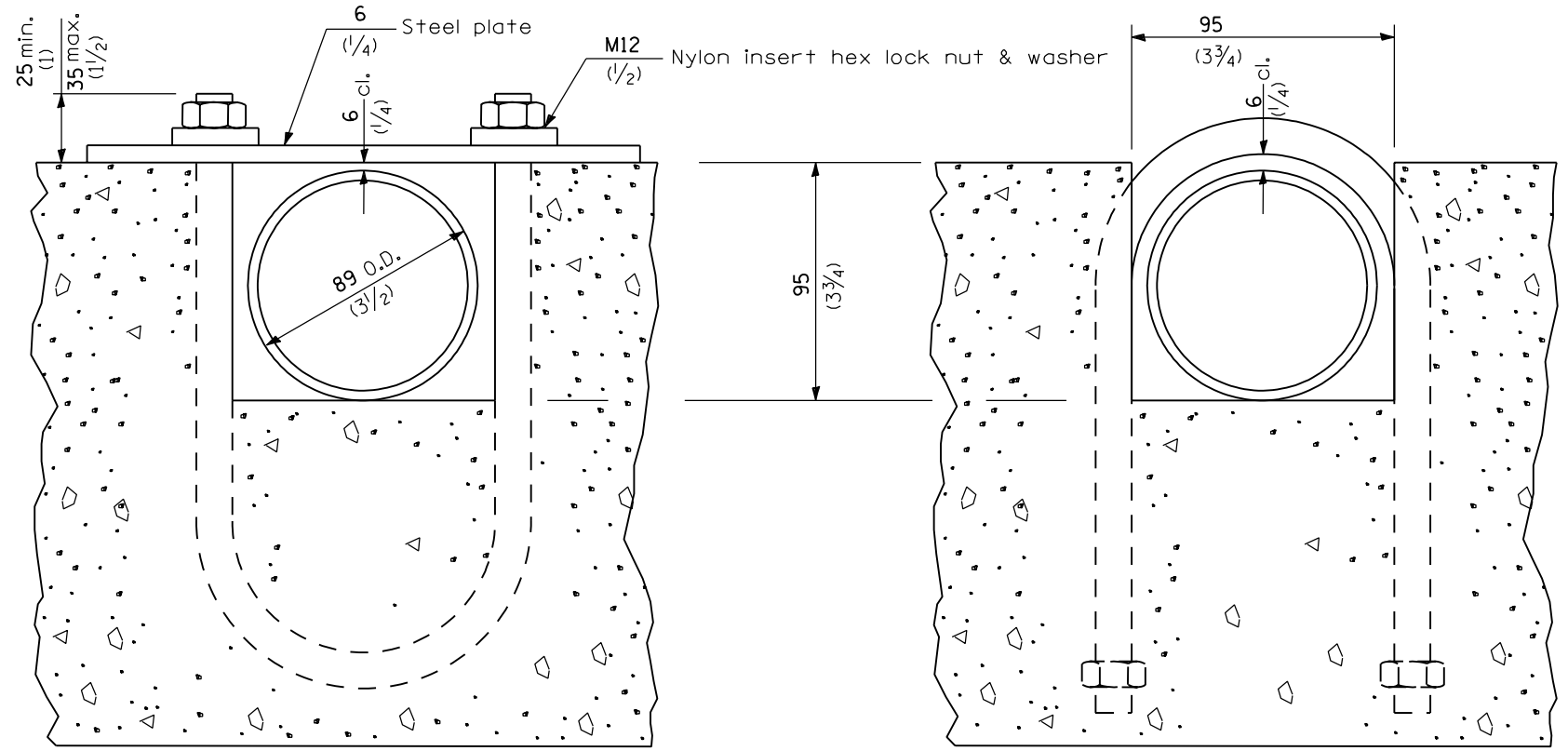
ENGINEER OF DESIGN AND ENVIRONMENT

ISSUED 26-1-1-97



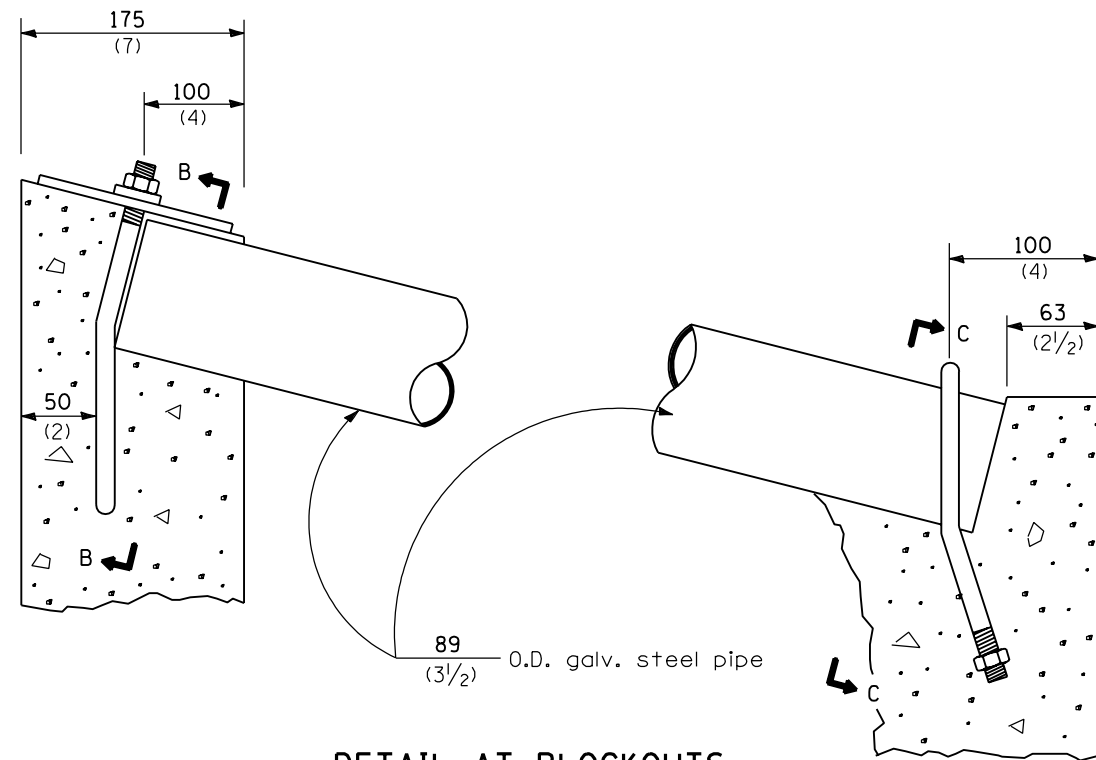
**TOP ANCHOR PLATE**

(1 - required)

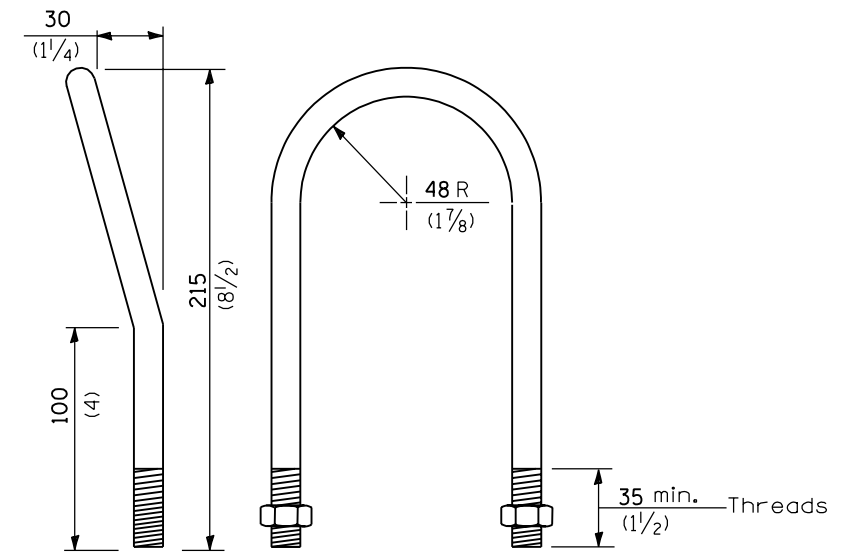


**SECTION B-B**

**SECTION C-C**



**DETAIL AT BLOCKOUTS**



**M12 (1/2) U BOLT**

(2 - required)

All dimensions are in millimeters (inches) unless otherwise shown.

**INLET BOX  
TYPE 600 (24) B**

(Sheet 2 of 2)

**STANDARD 542506**

Illinois Department of Transportation	
PASSED	January 1, 1997
ENGINEER OF POLICY AND PROCEDURES	<i>[Signature]</i>
APPROVED	January 1, 1997
ENGINEER OF DESIGN AND ENVIRONMENT	<i>[Signature]</i>
ISSUED	1-1-97