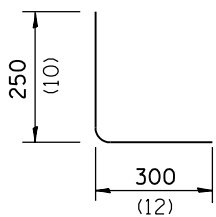
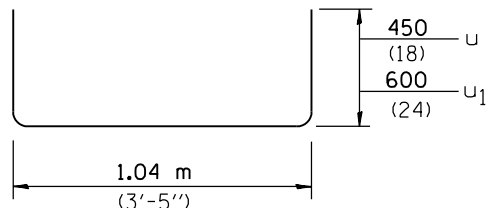


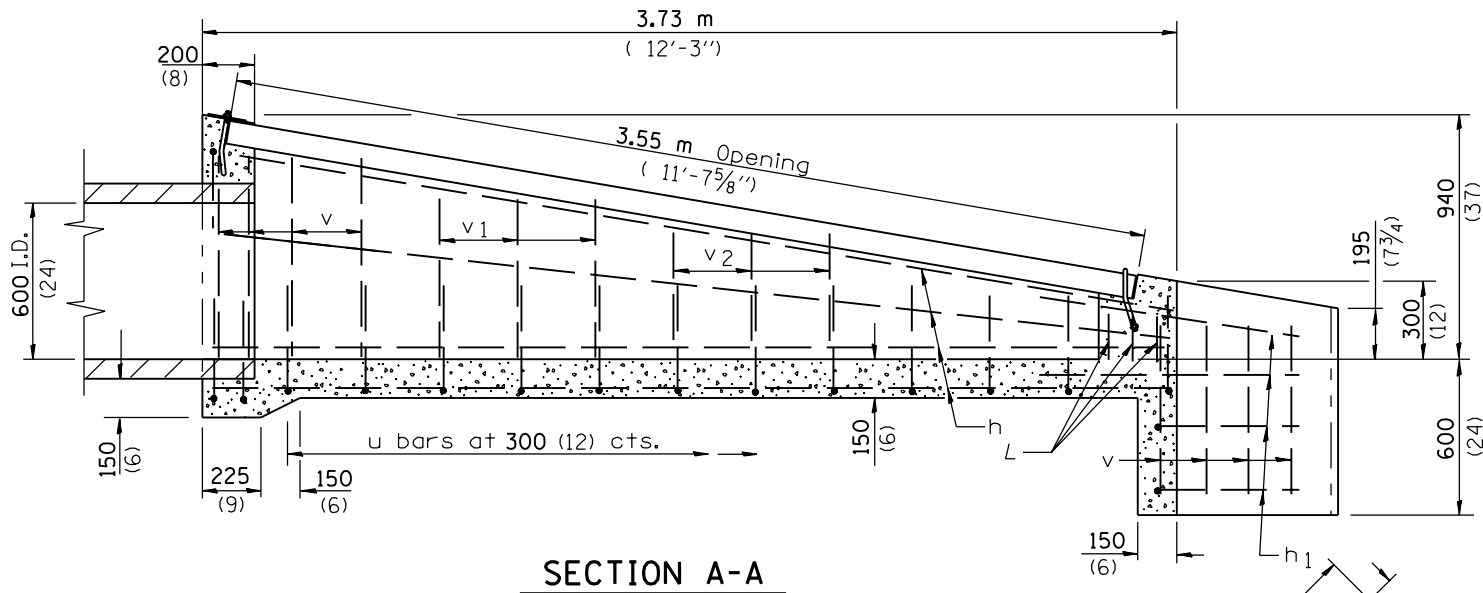
Bar h₁



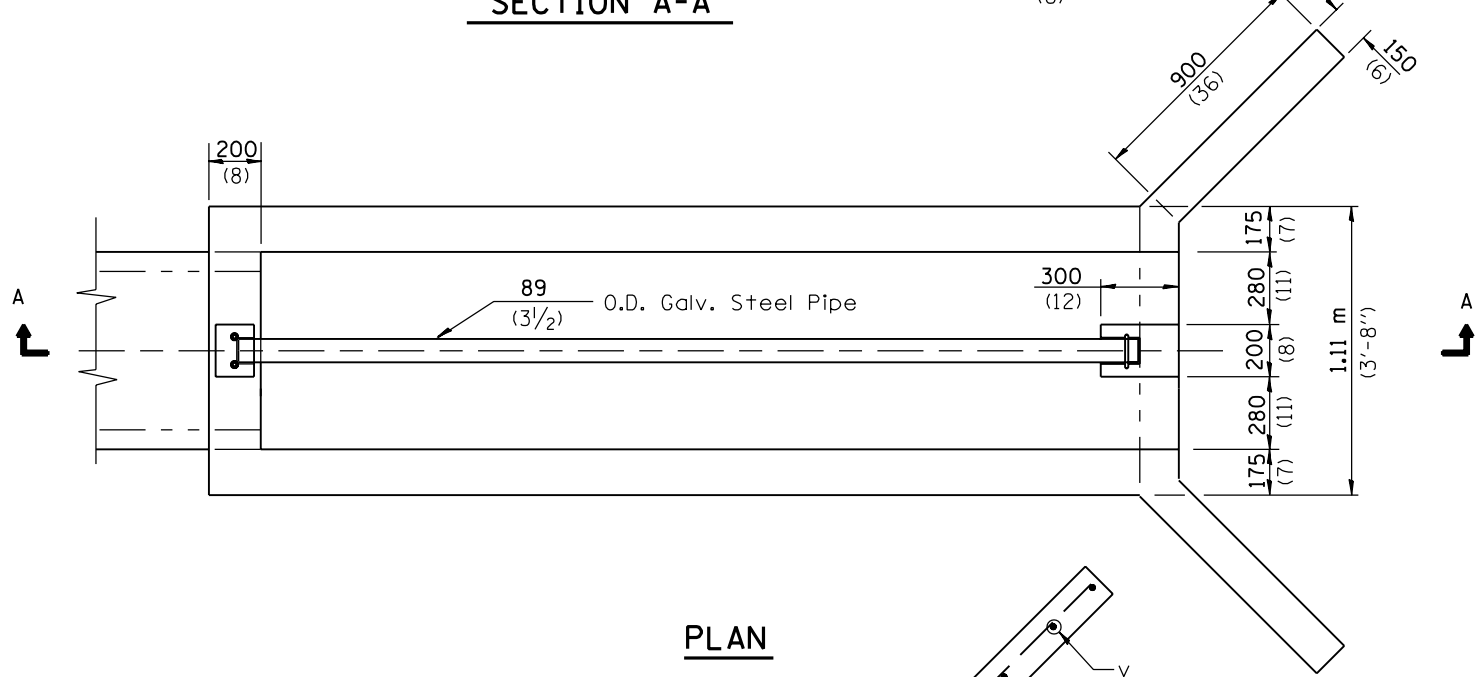
Bar L



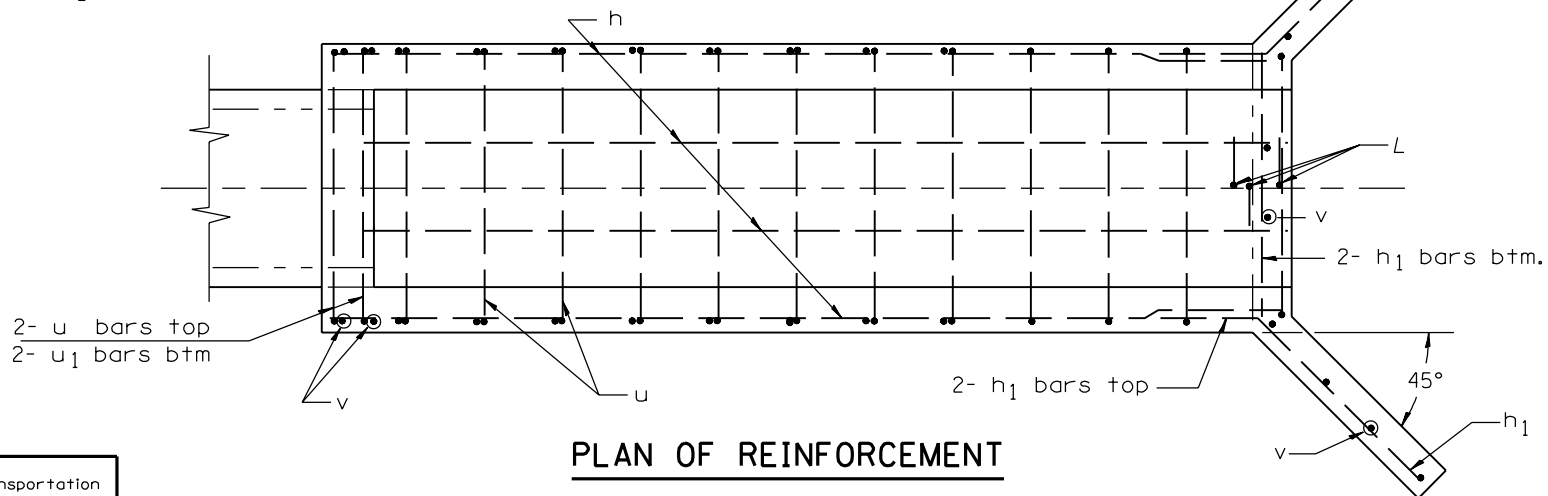
Bar u & u₁



SECTION A-A



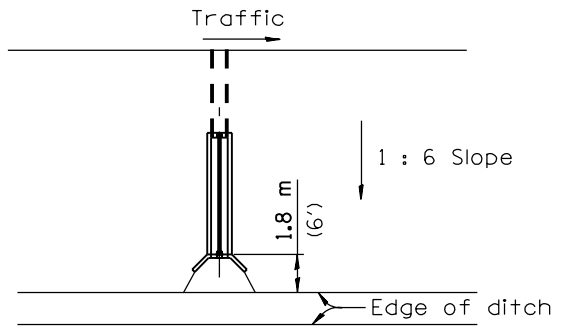
PLAN



PLAN OF REINFORCEMENT

Material required for one inlet box

Bar	Qty.	Size	Length
h	10	No. 15 (No. 4)	3.66 m (12'-0'')
h ₁	8	No. 15 (No. 4)	1.35 m (4'-5'')
L	3	No. 15 (No. 4)	550 (22)
u	14	No. 15 (No. 4)	1.94 m (6'-5'')
u ₁	2	No. 15 (No. 4)	2.24 m (7'-5'')
v	16	No. 15 (No. 4)	760 (30)
v ₁	6	No. 15 (No. 4)	610 (24)
v ₂	8	No. 15 (No. 4)	460 (18)
Concrete Cast-in-place or Precast		m ³ (cu. yds.)	1.68 (2.2)
Reinf. Bars		kg (lbs.)	158 (220)
Galv. Steel Pipe		89 O.D. (3 1/2)	3.55 m (11'-7 3/8'')



Sketch showing location and direction of box in relation to ditch.

GENERAL NOTES

All slope ratios are expressed as units of vertical displacement to units of horizontal displacement (V:H).

All dimensions are in millimeters (inches) unless otherwise shown.

**INLET BOX
TYPE 600 (24) D**

(Sheet 1 of 2)

STANDARD 542516

DATE	REVISIONS
1-1-97	Renum. Standard 2249-8.
6-15-94	Moved G.N. to Specs. Revised title. Added Metric and slope note.

Illinois Department of Transportation

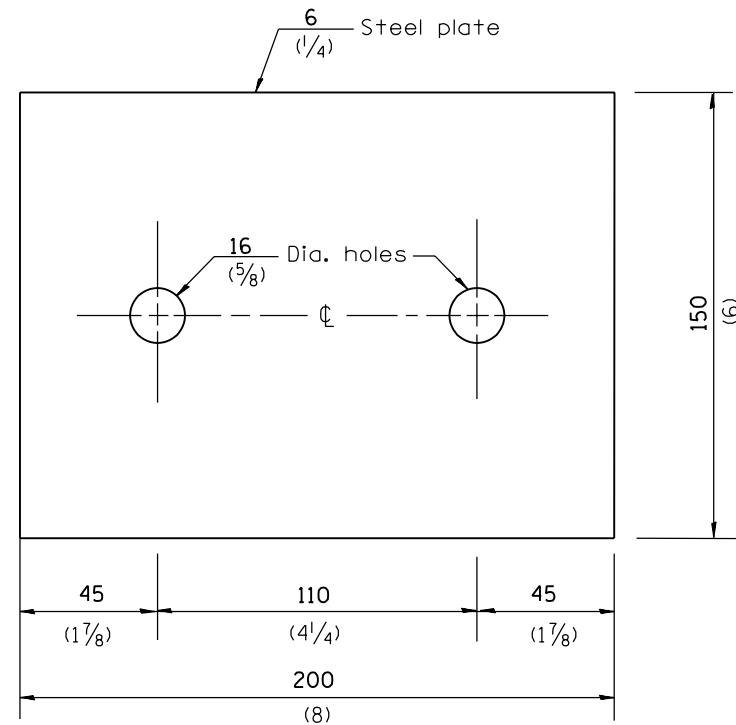
PASSED January 1, 1997

ENGINEER OF POLICE AND PROCEDURES

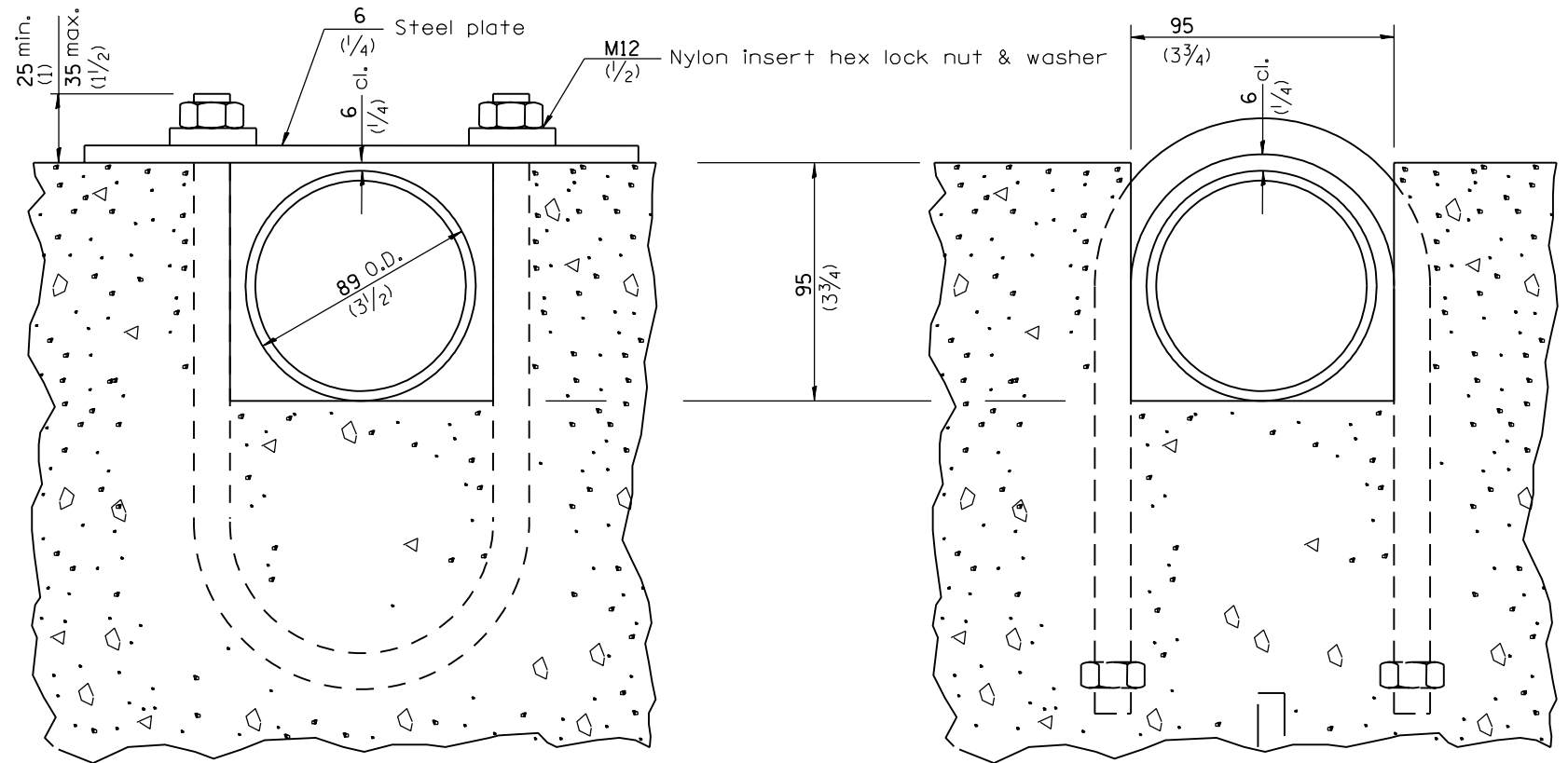
APPROVED January 1, 1997

ENGINEER OF DESIGN AND ENVIRONMENT

ISSUED 1-1-97

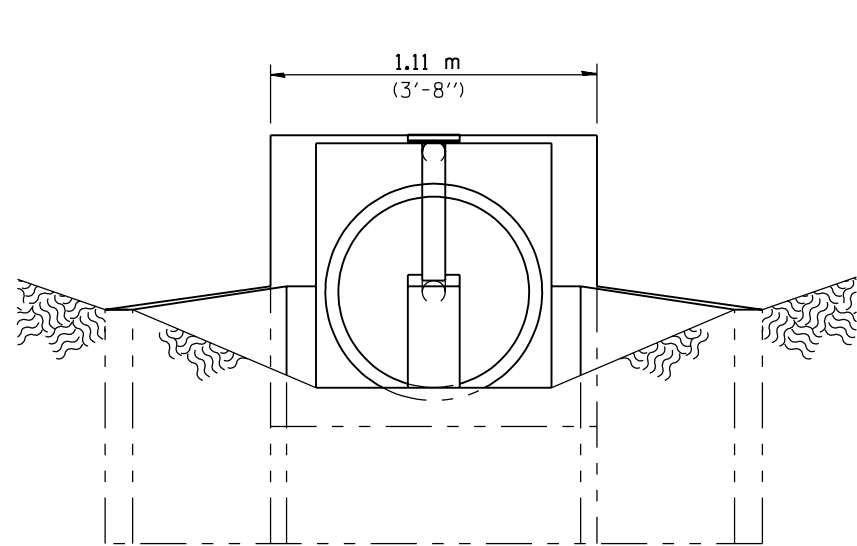


TOP ANCHOR PLATE
(1-required)

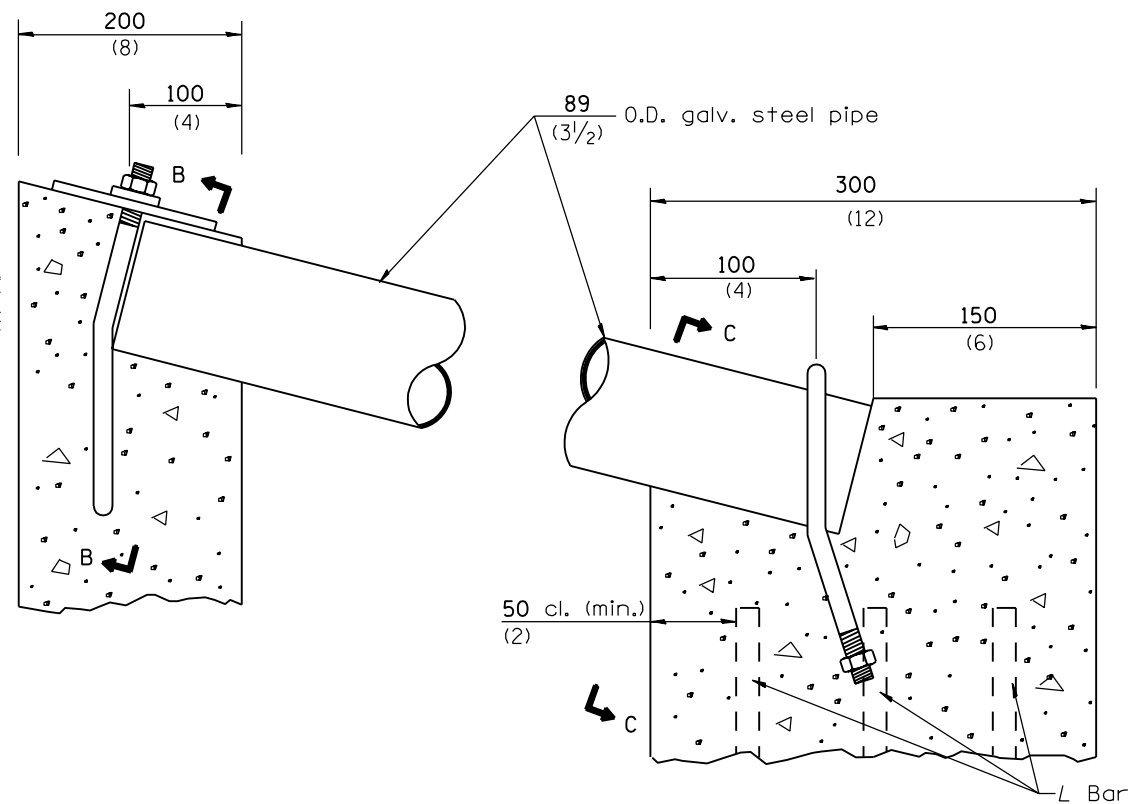


SECTION B-B

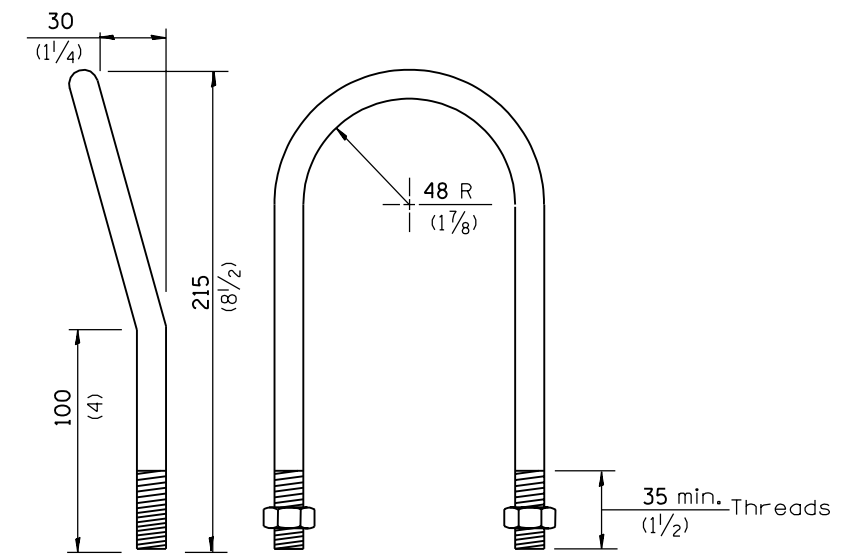
SECTION C-C



END VIEW



DETAIL AT BLOCKOUTS



M12 (1/2) U BOLT
(2-required)

All dimensions are in millimeters (inches) unless otherwise shown.

**INLET BOX
TYPE 600 (24) D**

(Sheet 2 of 2)

STANDARD 542516

Illinois Department of Transportation	
PASSED	January 1, 1997
ENGINEER OF POLICE AND PROCEDURES	
APPROVED	January 1, 1997
ENGINEER OF DESIGN AND ENVIRONMENT	
ISSUED	1-1-97