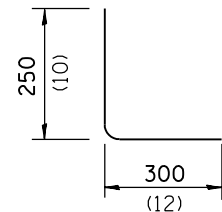
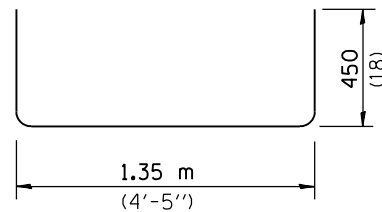


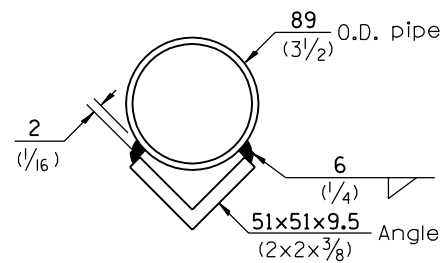
Bar h₂



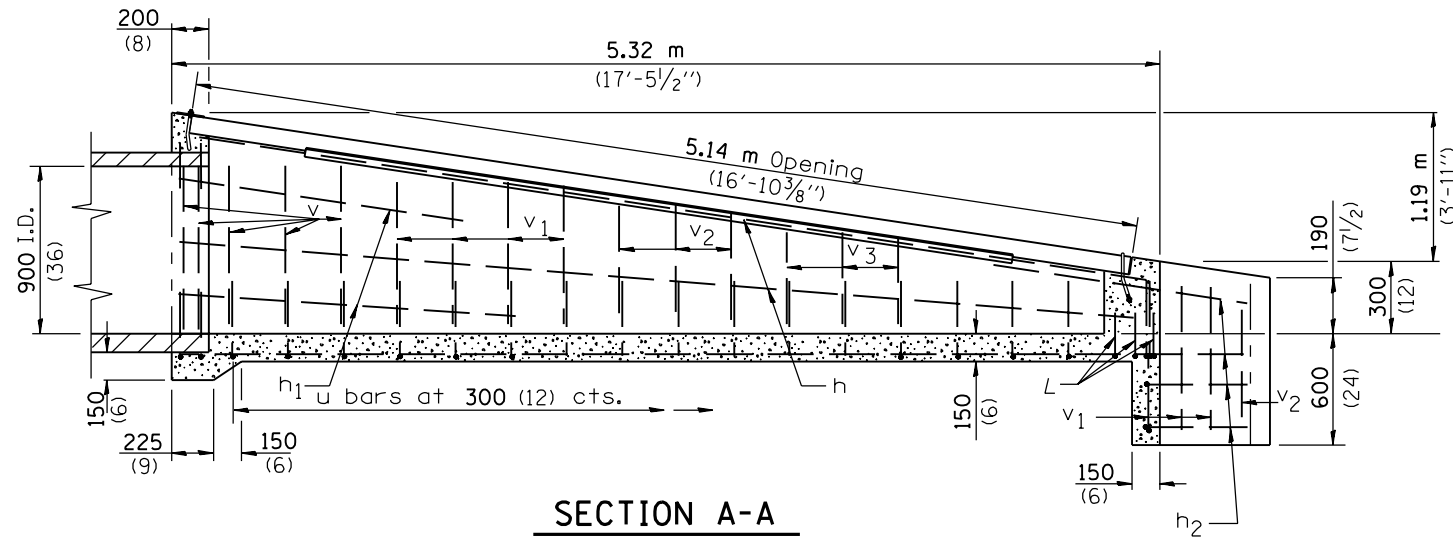
Bar L



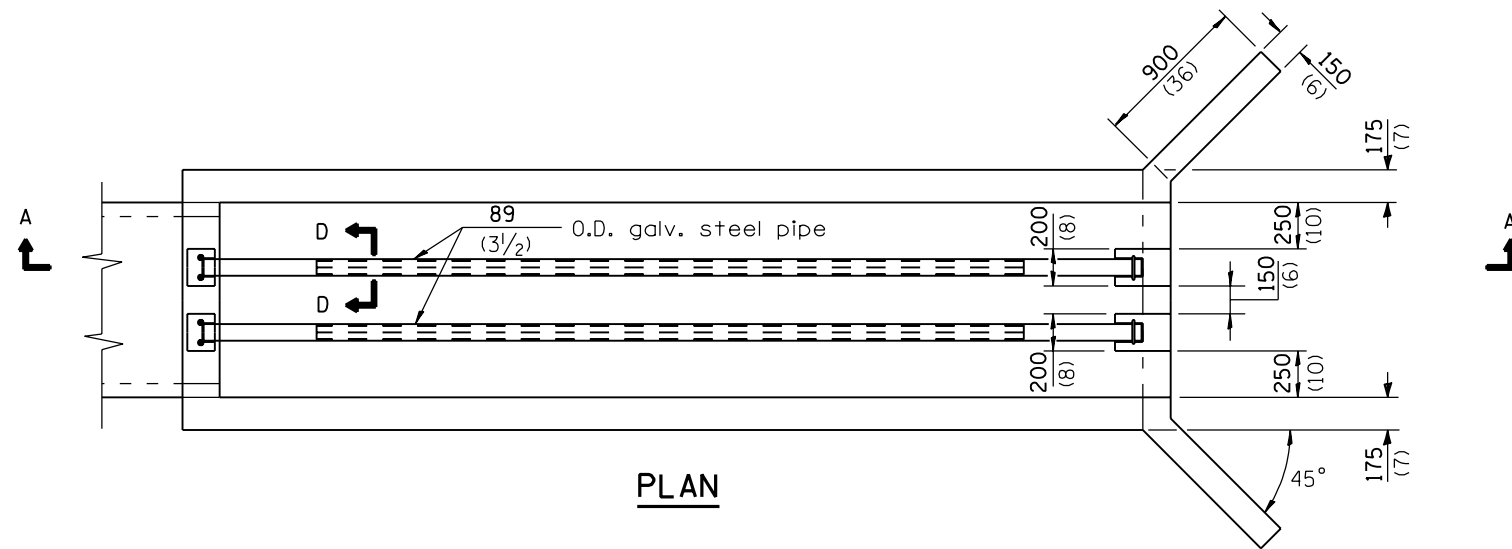
Bar u



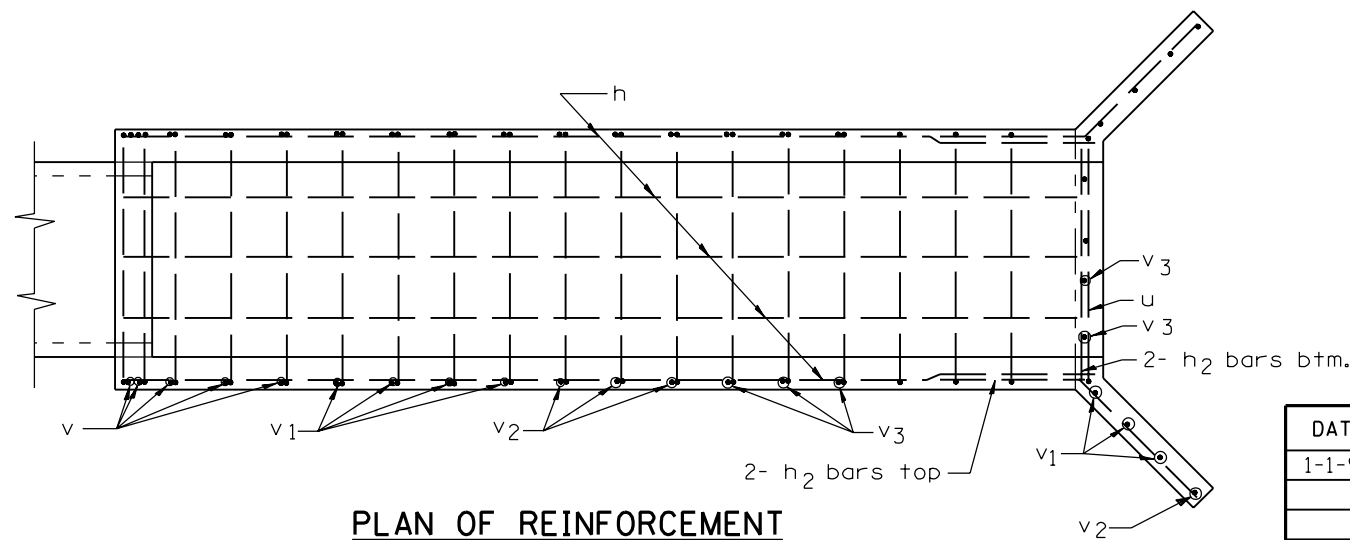
SECTION D-D



SECTION A-A



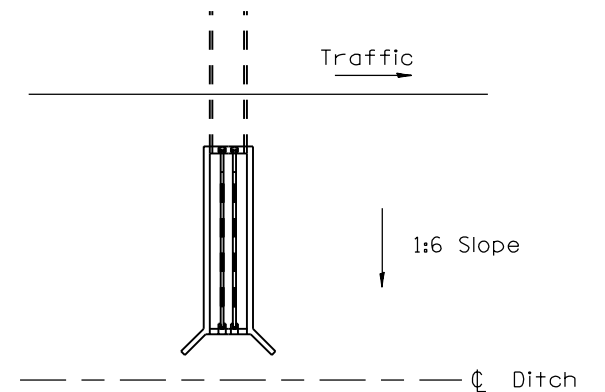
PLAN



PLAN OF REINFORCEMENT

Material required for one inlet box

Bar	Qty.	Size	Length
h	9	No. 15 (No. 4)	5.18 m (17'-0")
h ₁	4	No. 15 (No. 4)	1.90 m (6'-3")
h ₂	8	No. 15 (No. 4)	1.50 m (5'-0")
L	6	No. 15 (No. 4)	550 (22)
u	21	No. 15 (No. 4)	2.25 m (7'-5")
v	10	No. 15 (No. 4)	910 (36)
v ₁	14	No. 15 (No. 4)	760 (30)
v ₂	8	No. 15 (No. 4)	610 (24)
v ₃	10	No. 15 (No. 4)	460 (18)
Concrete		m ³ (cu. yds.)	3.0 (3.9)
Reinf. Bars		kg (lbs.)	236 (319)
Galv. Steel Pipe		89 O.D. (3 1/2)	2 at 5.15 m 2 at (16'-10 3/8")
Galv. Steel Angle		51x51x9.5 (2x2x3/8)	2 at 3.90 m 2 at (12'-10")



Sketch showing location and direction of box in relation to C of ditch.

GENERAL NOTES

All slope ratios are expressed as units of vertical displacement to units of horizontal displacement (V:H).

All dimensions are in millimeters (inches) unless otherwise shown.

DATE	REVISIONS
1-1-97	Renum. Standard 2248-9.
6-15-94	Moved G.N. to Specs. Revised title. Added Metric and slope note.

**INLET BOX
TYPE 900 (36) A**

(Sheet 1 of 2)

STANDARD 542536

Illinois Department of Transportation

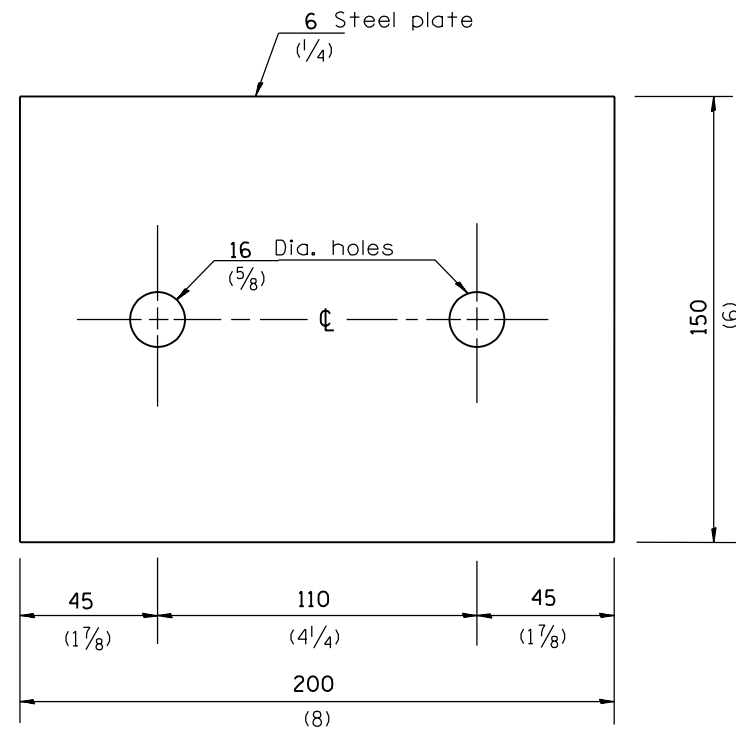
PASSED January 1, 1997

ENGINEER OF POLICE AND PROCEDURES

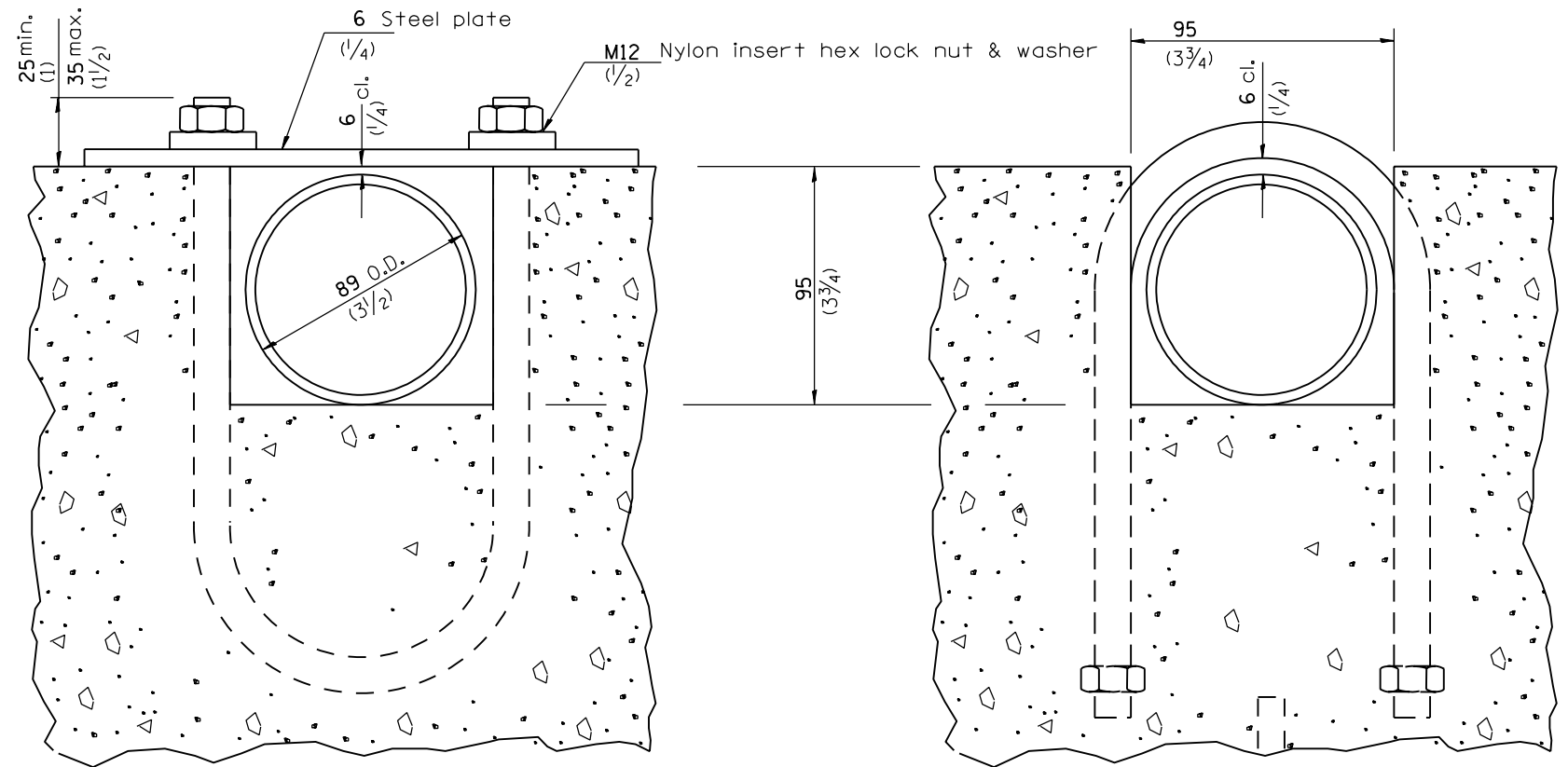
APPROVED January 1, 1997

ENGINEER OF DESIGN AND ENVIRONMENT

ISSUED 1-1-97

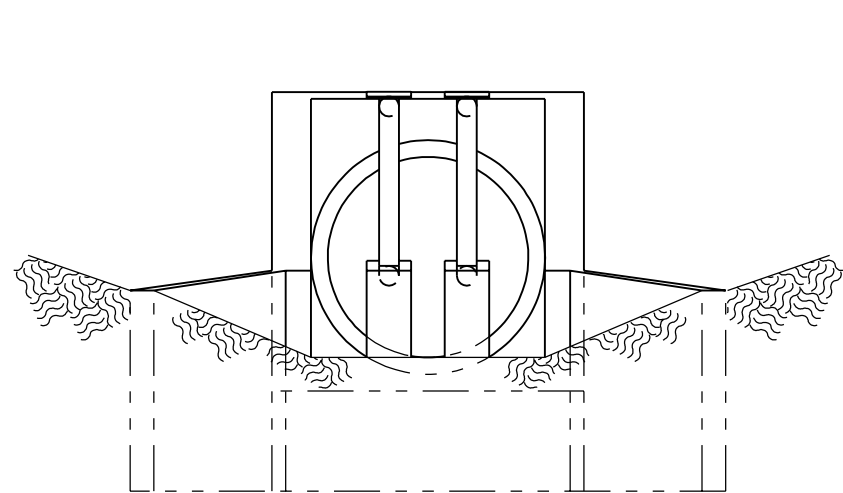


TOP ANCHOR PLATE
(2 - required)

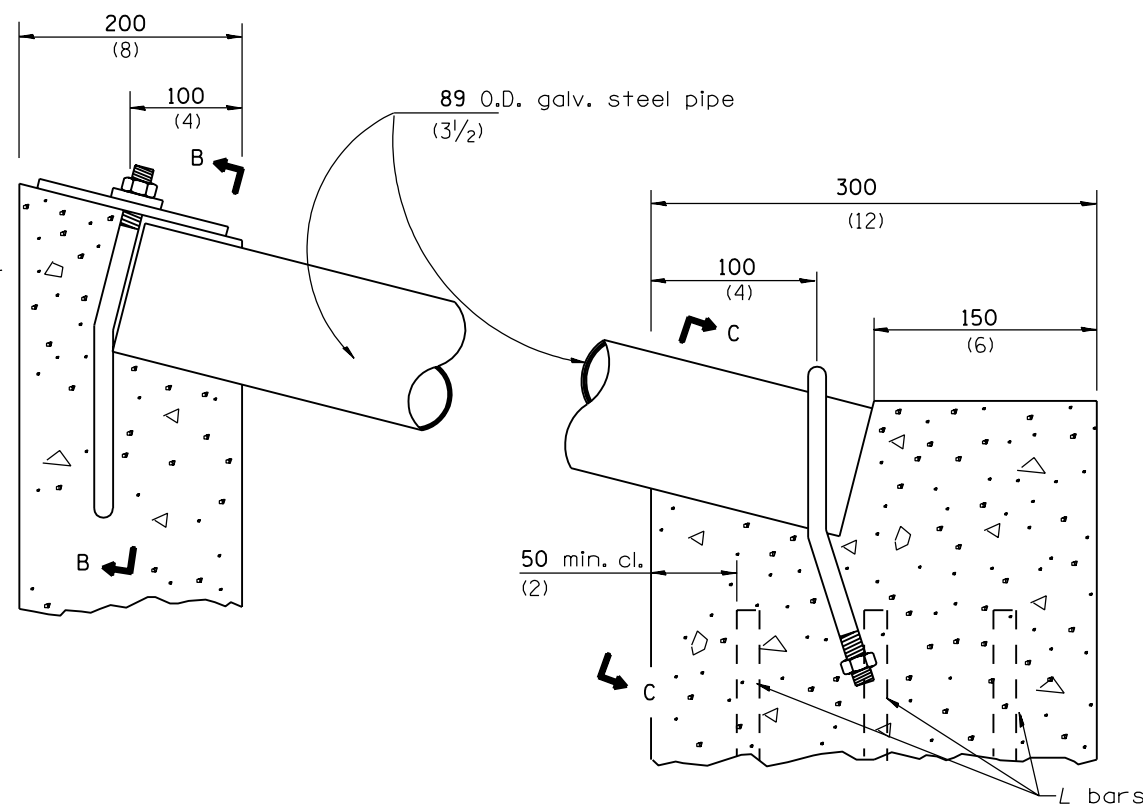


SECTION B-B

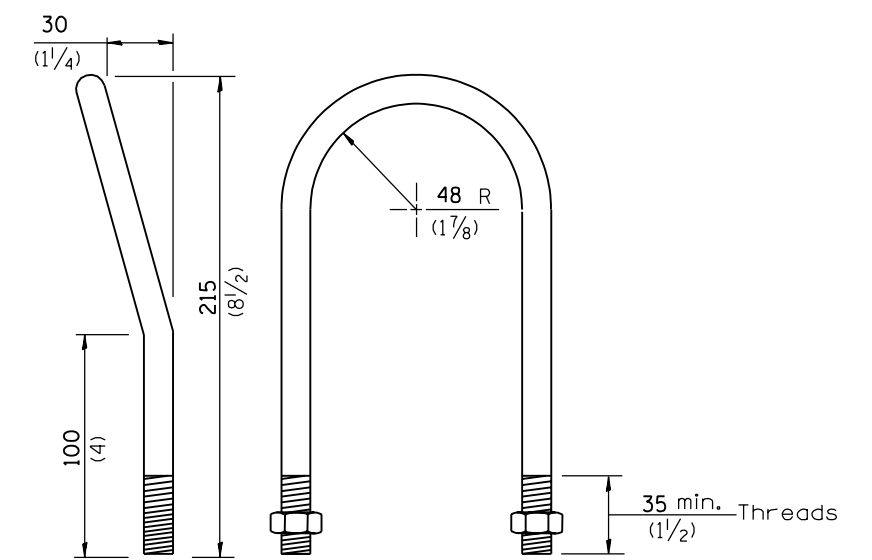
SECTION C-C



END VIEW



DETAIL AT BLOCKOUTS



M12 (1/2) U BOLT
(4 - required)

All dimensions are in millimeters (inches) unless otherwise shown.

**INLET BOX
TYPE 900 (36) A**

(Sheet 2 of 2)

STANDARD 542536

Illinois Department of Transportation	
PASSED	January 1, 1997
ENGINEER OF POLICE AND PROCEDURES	
APPROVED	January 1, 1997
ENGINEER OF DESIGN AND ENVIRONMENT	
ISSUED	1-1-97