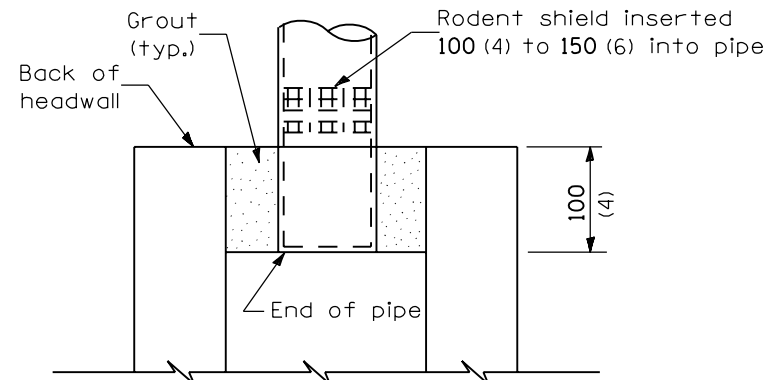
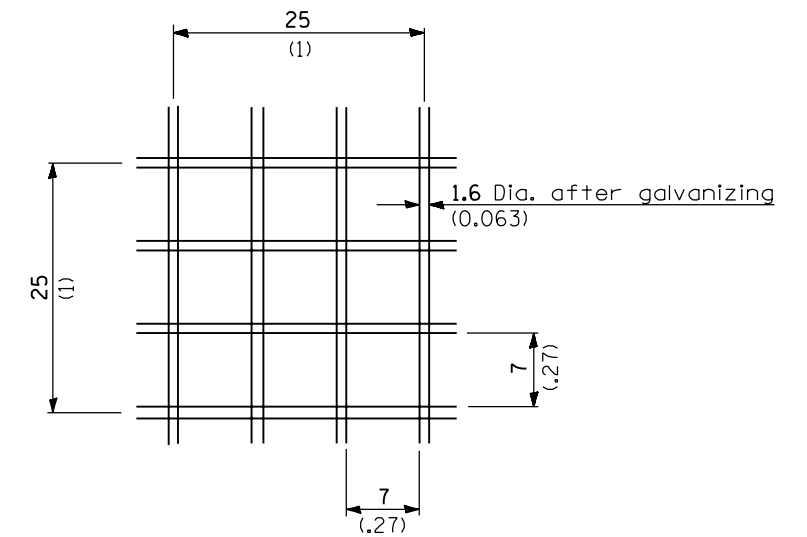


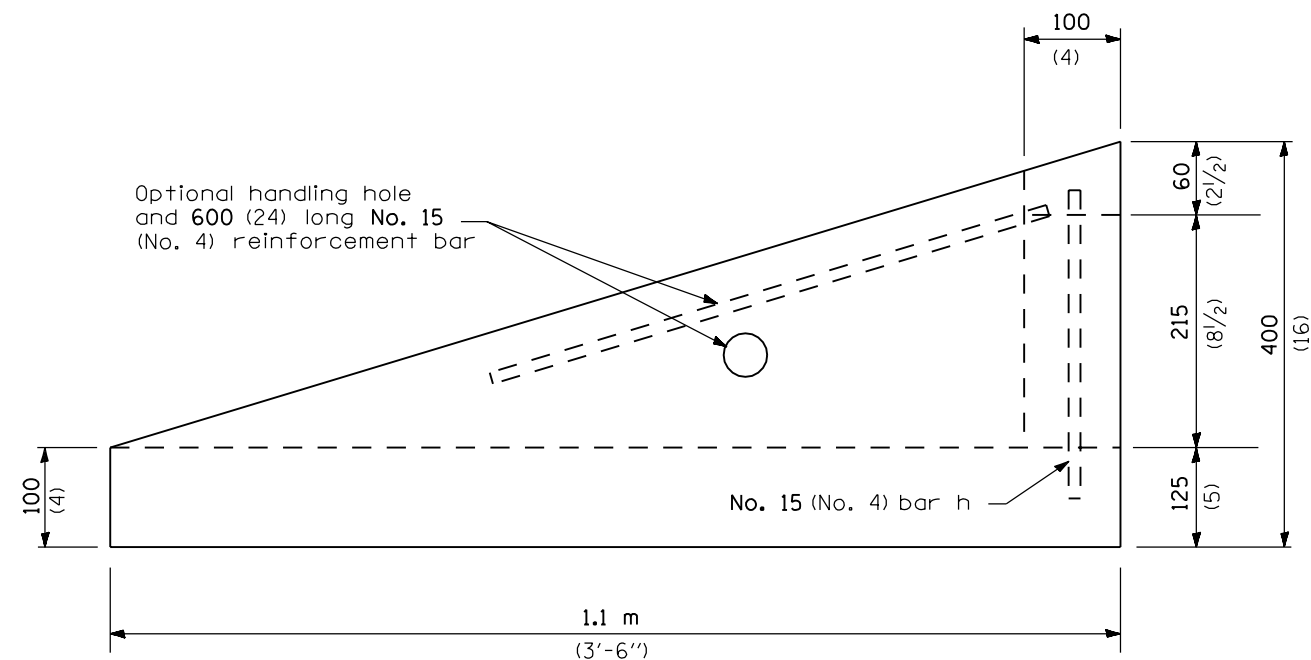
FRONT VIEW



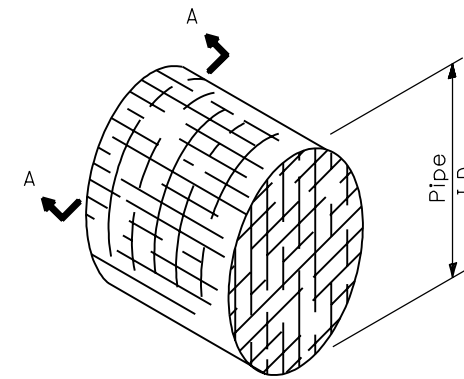
RODENT SHIELD PLACEMENT



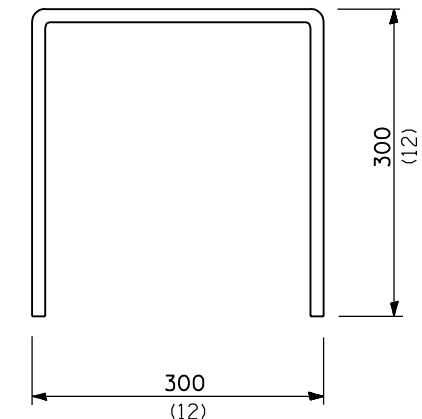
SECTION A-A



SIDE VIEW



DETAIL OF RODENT SHIELD



BAR h

GENERAL NOTES

An alternate paved invert meeting the approval of the Engineer may be substituted for that shown in side view.

All dimensions are in millimeters (inches) unless otherwise shown.

Illinois Department of Transportation

PASSED January 1, 1997

ENGINEER OF POLICE AND PROCEDURES

APPROVED January 1, 1997

ENGINEER OF DESIGN AND ENVIRONMENT

ISSUED 1-1-97

DATE	REVISIONS
1-1-97	Renum. Standard 2362-4.
6-15-94	Moved G.N. to Specs. Moved DESIGN NOTES. Added Metric.

**CONCRETE HEADWALL
FOR PIPE DRAIN**

STANDARD 601101