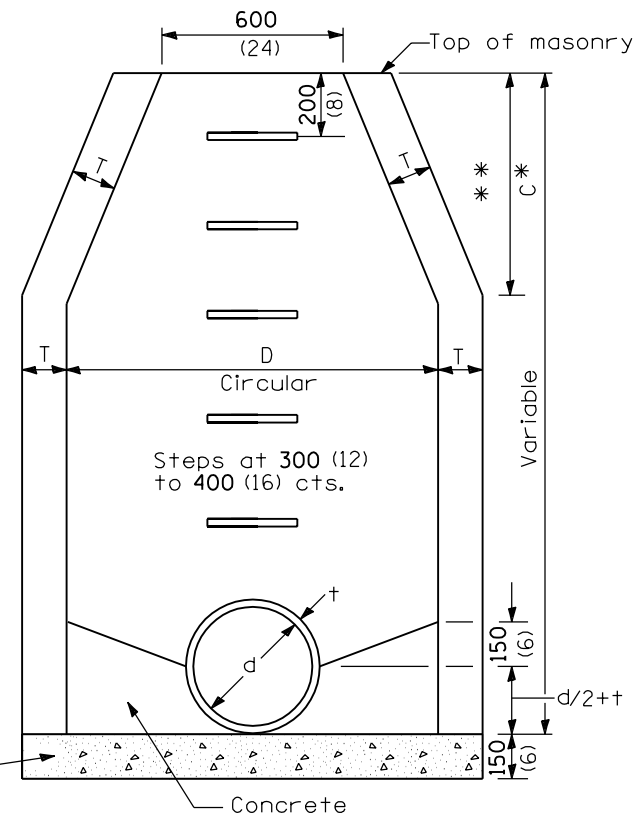
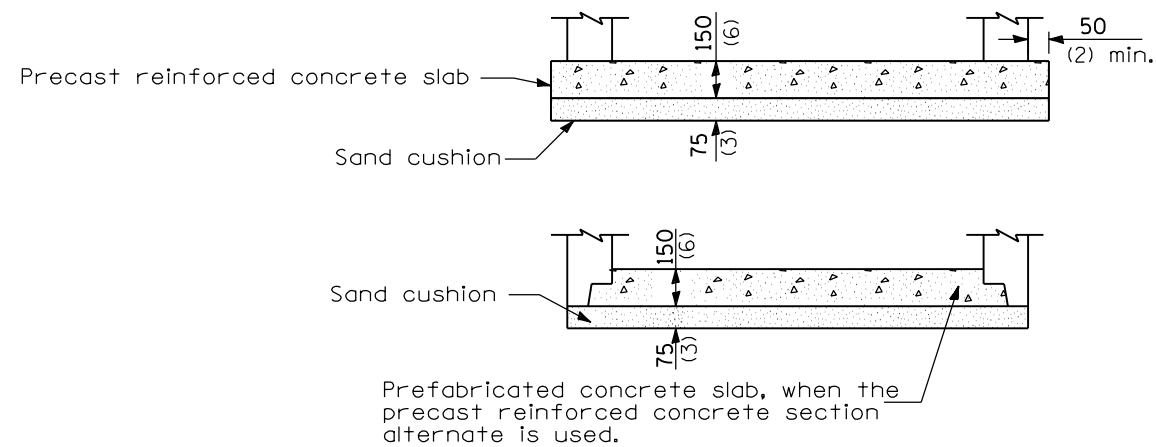


**ELEVATION - ECCENTRIC**



**ELEVATION - CONCENTRIC**

ALTERNATE MATERIALS FOR WALLS	D	C	T (min.)
Concrete Masonry Unit	1.2 m (4'-0")	750 (30)	125 (5)
	1.5 m (5'-0")	1.15 m (3'-9")	125 (5)
Brick Masonry	1.2 m (4'-0")	750 (30)	200 (8)
	1.5 m (5'-0")	1.15 m (3'-9")	200 (8)
Precast Reinforced Concrete Section	1.2 m (4'-0")	750 (30)	100 (4)
	1.5 m (5'-0")	1.15 m (3'-9")	125 (5)
Cast-in-place Concrete	1.2 m (4'-0")	750 (30)	150 (6)
	1.5 m (5'-0")	1.15 m (3'-9")	150 (6)



**ALTERNATE BOTTOM SLAB**

**GENERAL NOTES**

See Standard 602701 for details of steps.

\* Dimension "C" for Precast Reinforced Concrete Sections may vary from the dimension given to plus 150 mm (6").

\*\* See Standard 602601 for Optional Precast Reinforced Concrete Flat Slab Top.

All dimensions are in millimeters (inches) unless otherwise shown.

Illinois Department of Transportation

PASSED January 1, 1997

ENGINEER OF POLICY AND PROCEDURES

APPROVED January 1, 1997

ENGINEER OF DESIGN AND ENVIRONMENT

ISSUED 1-1-97

DATE	REVISIONS
1-1-97	Renum. Standard 1527-10.
6-15-94	Moved G.N. to Specs. Deleted step details & Cook County note.

**MANHOLE TYPE A**

**STANDARD 602401**