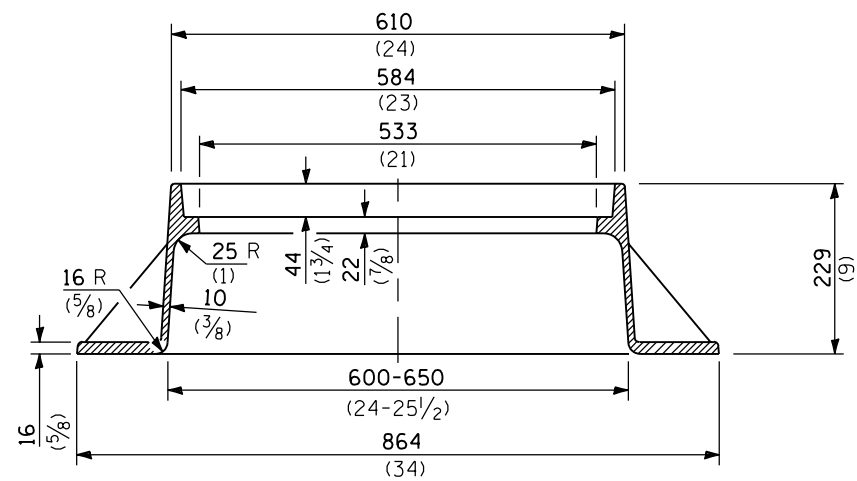
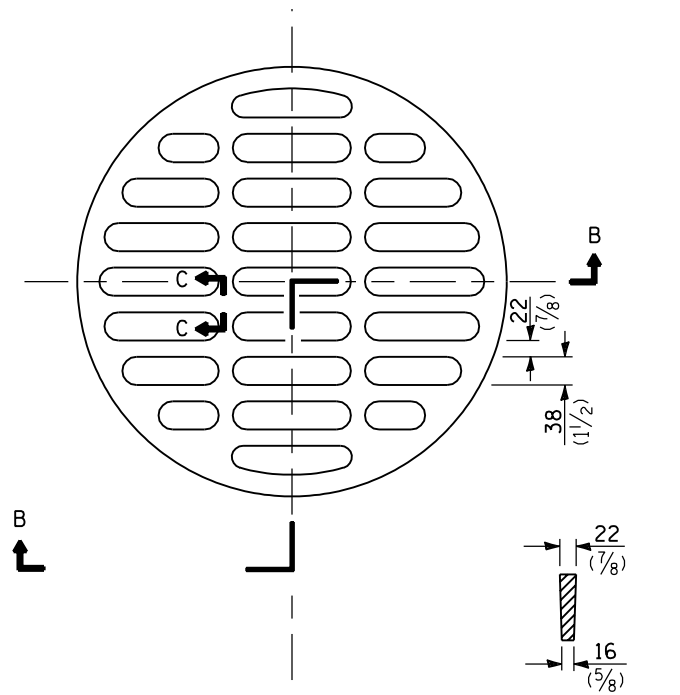


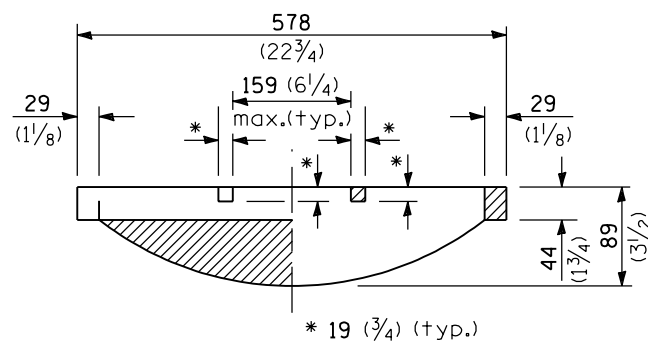
CAST FRAME



SECTION A-A
Gray Iron

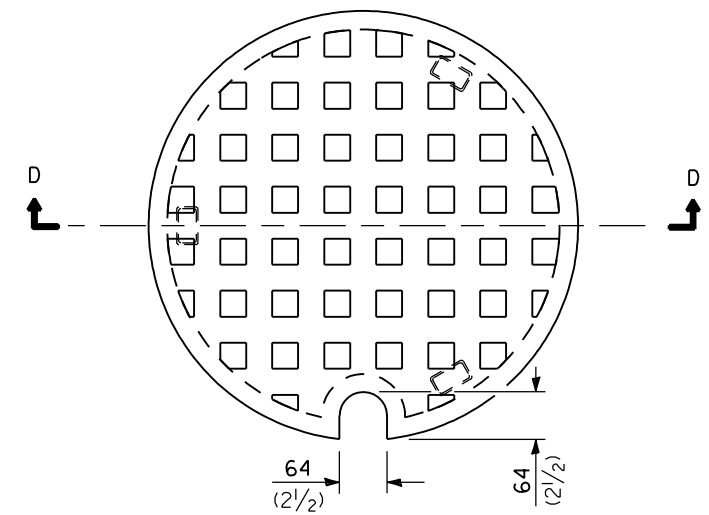


SECTION C-C



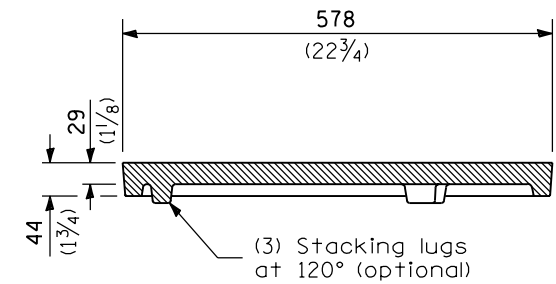
SECTION B-B

CAST OPEN LID



SECTION D-D

CAST CLOSED LID
Gray Iron Lid



(3) Stacking lugs at 120° (optional)

All dimensions are in millimeters (inches) unless otherwise shown.

Illinois Department of Transportation

PASSED January 1, 2004
Michael Brand
ENGINEER OF POLICY AND PROCEDURES

APPROVED January 1, 2004
Michael L. Hine
ENGINEER OF DESIGN AND ENVIRONMENT

ISSUED 1-1-04
26-1-1-74

DATE	REVISIONS
1-1-04	Removed weights.
1-1-02	Changed wall thickness from 5/16 to 3/8.

FRAME AND LIDS
TYPE 1

STANDARD 604001-02