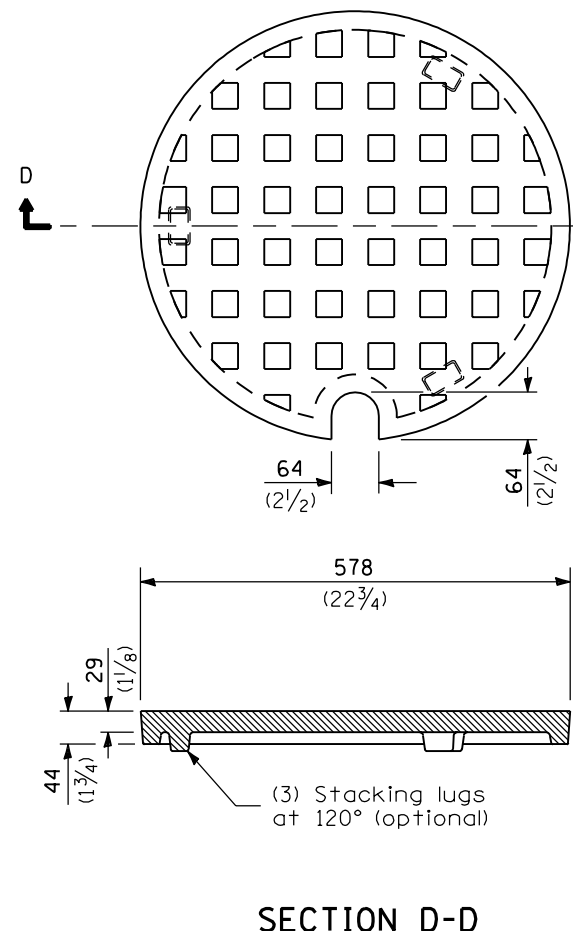
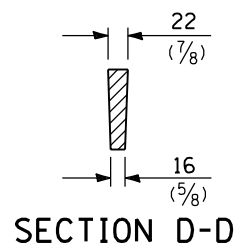


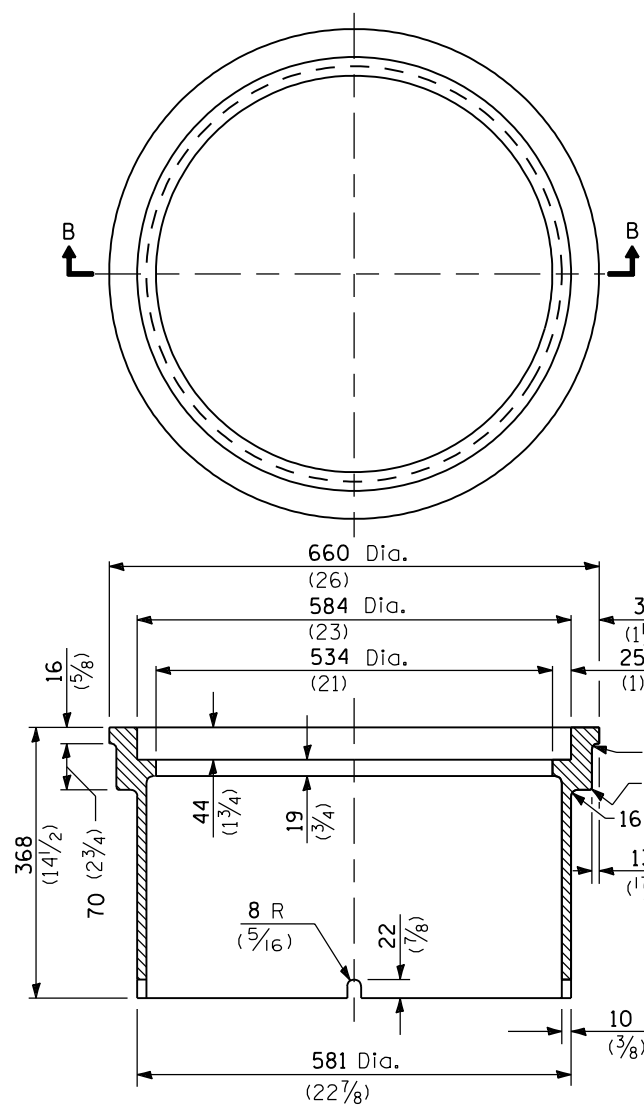
SECTION C-C
CAST OPEN LID



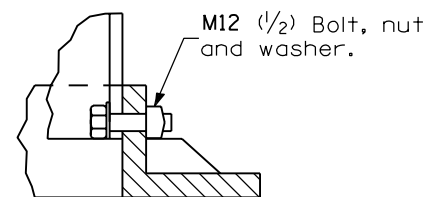
SECTION D-D
CAST CLOSED LID
Gray Iron Lid



SECTION D-D

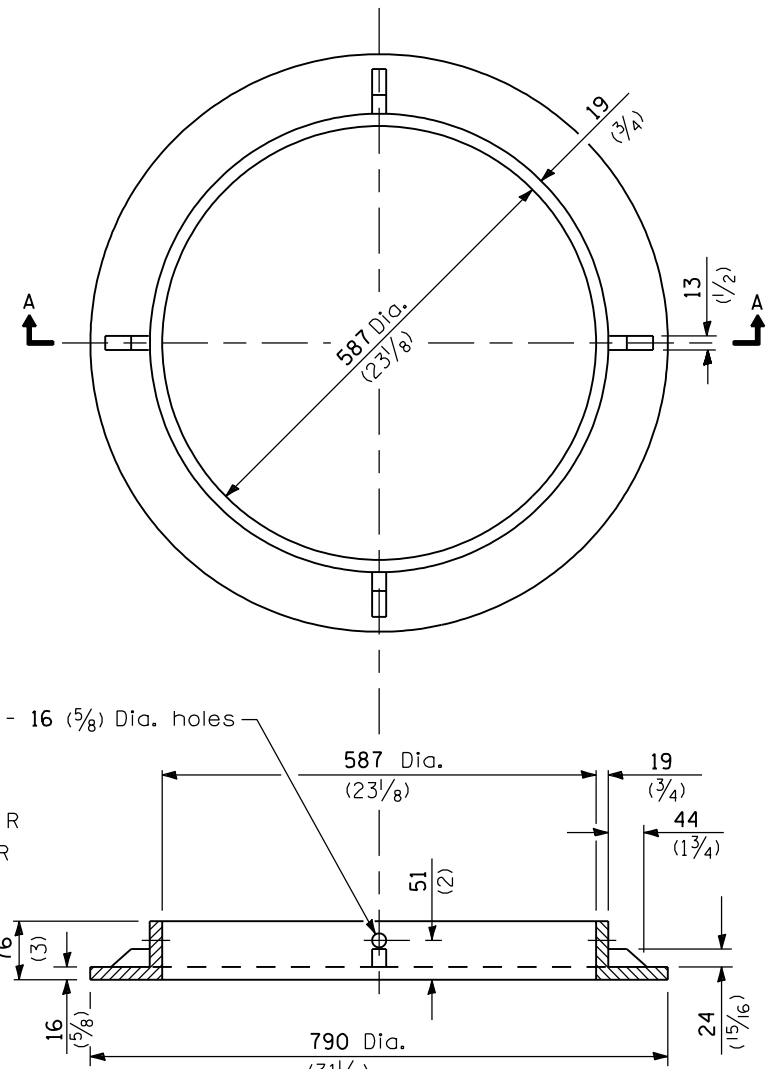


SECTION B-B
CAST FRAME
GRAY IRON



DETAIL OF BOLTING
FRAME TO BASE

NOTE: Bolts to be removed after pavement has been placed.



SECTION A-A
CAST BASE
GRAY IRON

GENERAL NOTES

The four holes in the cast base may be rotated 45° from the position shown in section A-A

All dimensions are in millimeters (inches) unless otherwise shown.

BASE, FRAME AND LIDS TYPE 5

STANDARD 604021-01

DATE	REVISIONS
1-1-04	Removed weights.
1-1-97	Renum. Standard 2226-5. Revised Cast Closed Lid.

Illinois Department of Transportation

PASSED January 1, 2004
Michael Brand
 ENGINEER OF POLICY AND PROCEDURES

APPROVED January 1, 2004
Michael L. Hine
 ENGINEER OF DESIGN AND ENVIRONMENT

ISSUED 1-1-97