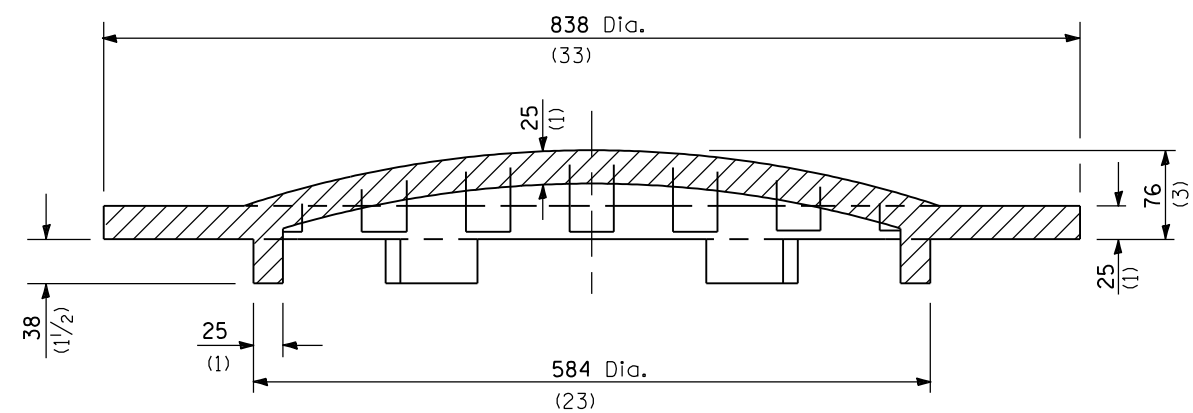


CAST GRATE



SECTION A-A

All dimensions are in millimeters (inches) unless otherwise shown.

Illinois Department of Transportation	
PASSED	January 1, 2004
<i>Michael Brand</i> ENGINEER OF POLICY AND PROCEDURES	
APPROVED	January 1, 2004
<i>Michael L. Hine</i> ENGINEER OF DESIGN AND ENVIRONMENT	
ISSUED	1-1-97

DATE	REVISIONS
1-1-04	Removed weights.
1-1-97	Renum. Standard 2217-4.

GRATE TYPE 8

STANDARD 604036-01