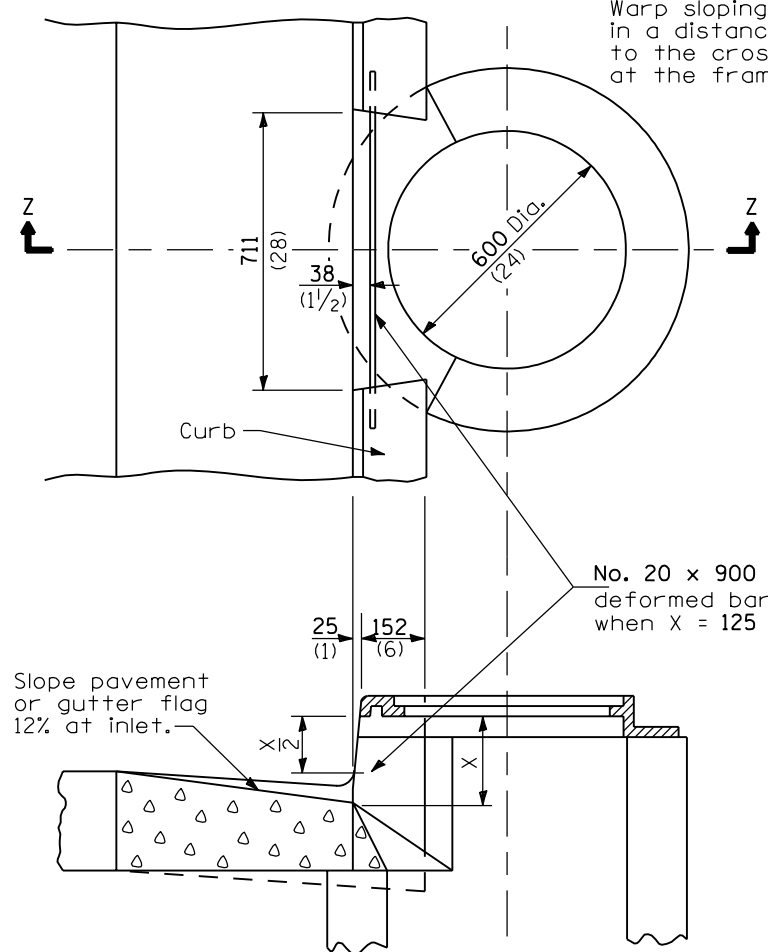
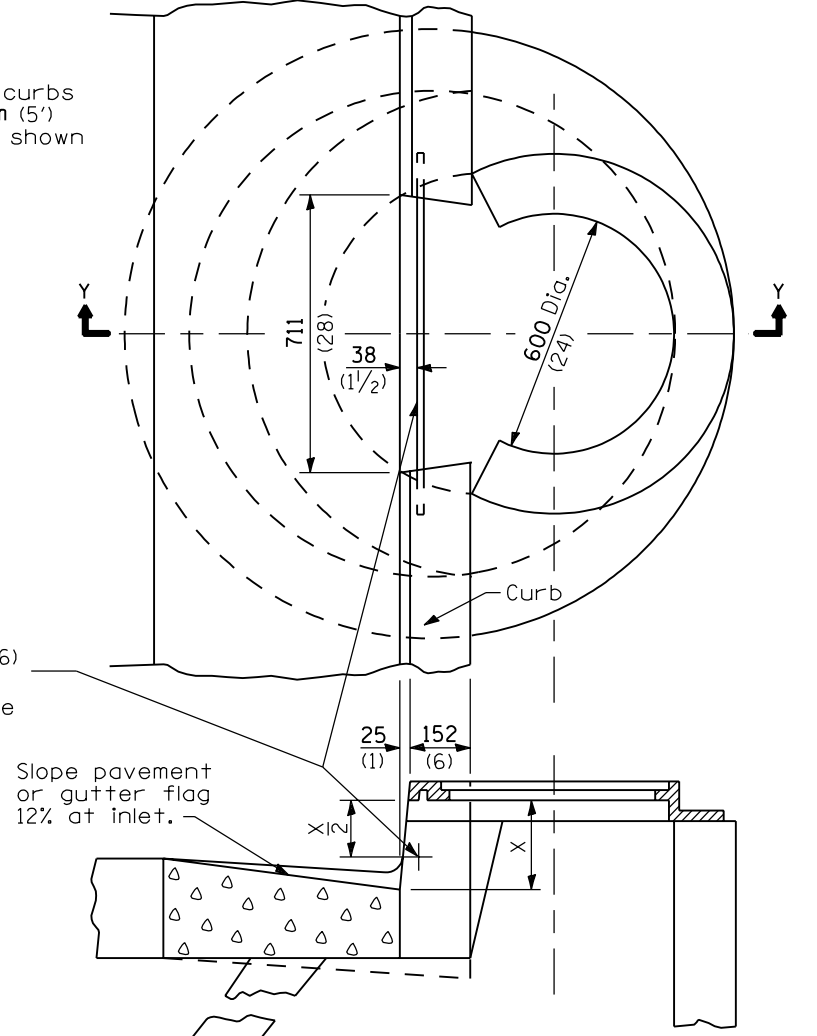


**SECTION A-A
CAST FRAME**
(GRAY IRON)

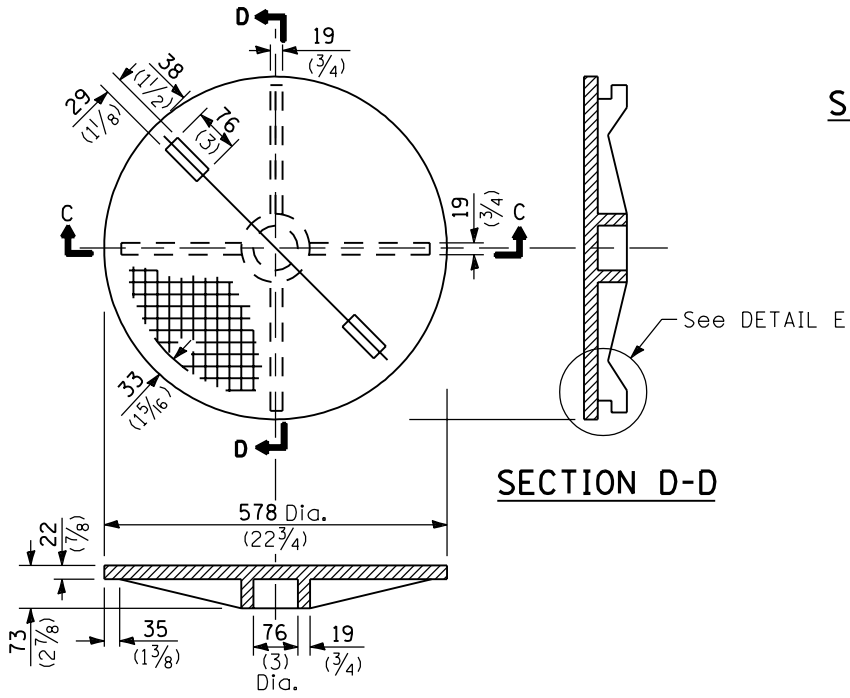
SECTION B-B



**SECTION Z-Z
(WITH FRAME)
CASE II**

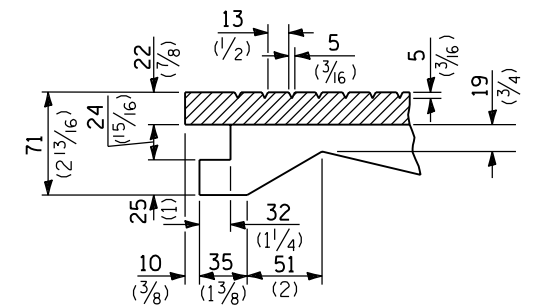


**SECTION Y-Y
(WITH FRAME)
CASE I**



**SECTION C-C
CAST LID**

SECTION D-D



DETAIL E

NOTE:

Warp sloping face of curbs in a distance of 1.5 m (5') to the cross section shown at the frame.

All dimensions are in millimeters (inches) unless otherwise shown.

Illinois Department of Transportation

PASSED January 1, 2004
Michael Brand
 ENGINEER OF POLICY AND PROCEDURES

APPROVED January 1, 2004
Michael L. Hine
 ENGINEER OF DESIGN AND ENVIRONMENT

ISSUED 16-1-1-99

DATE	REVISIONS
1-1-04	Removed weights.
1-1-97	Renum. Standard 2222-4.

**FRAME AND LID
TYPE 15**

STANDARD 604066-01