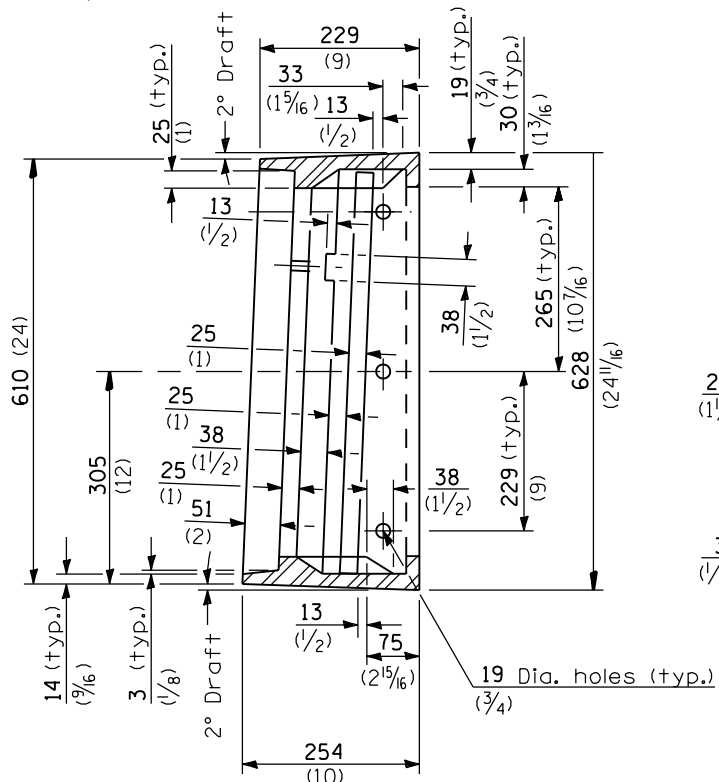
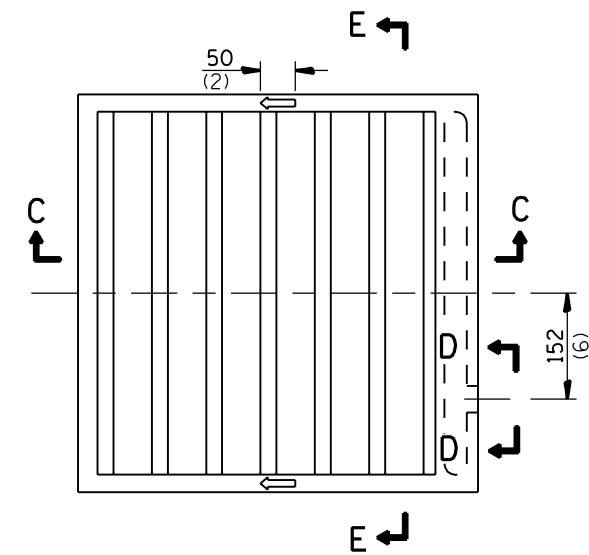


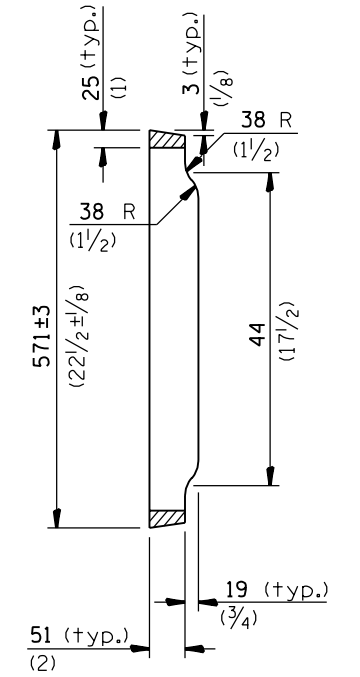
PLAN



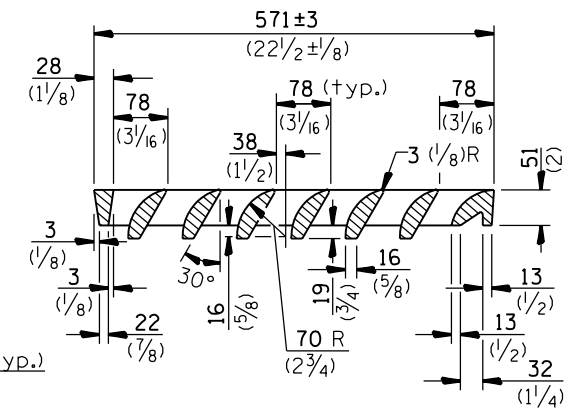
SECTION B-B



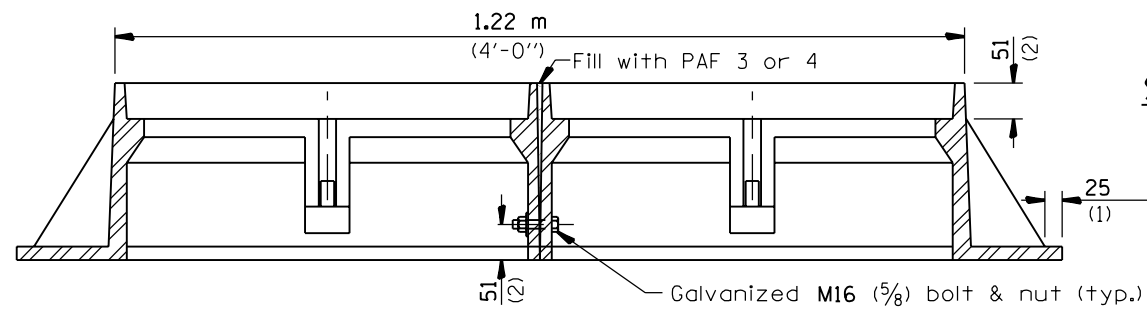
SECTION C-C



SECTION E-E



SECTION D-D



SECTION A-A

CAST FRAME

CAST GRATE

All dimensions are in millimeters (inches) unless otherwise shown.

Illinois Department of Transportation

PASSED January 1, 2004  
*Michael Brand*  
 ENGINEER OF POLICY AND PROCEDURES

APPROVED January 1, 2004  
*Michael L. Hine*  
 ENGINEER OF DESIGN AND ENVIRONMENT

ISSUED 26-1-1-9

DATE	REVISIONS
1-1-04	Removed weights.
1-1-98	Revised grate weight.

FRAMES AND GRATES  
 TYPE 22

STANDARD 604081-02