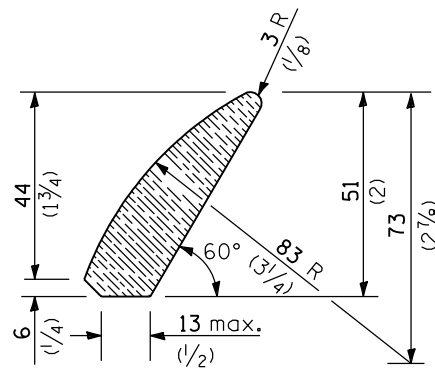
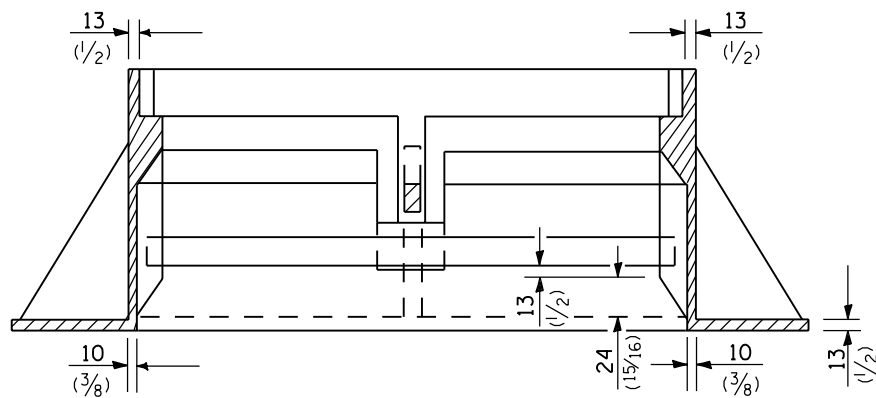


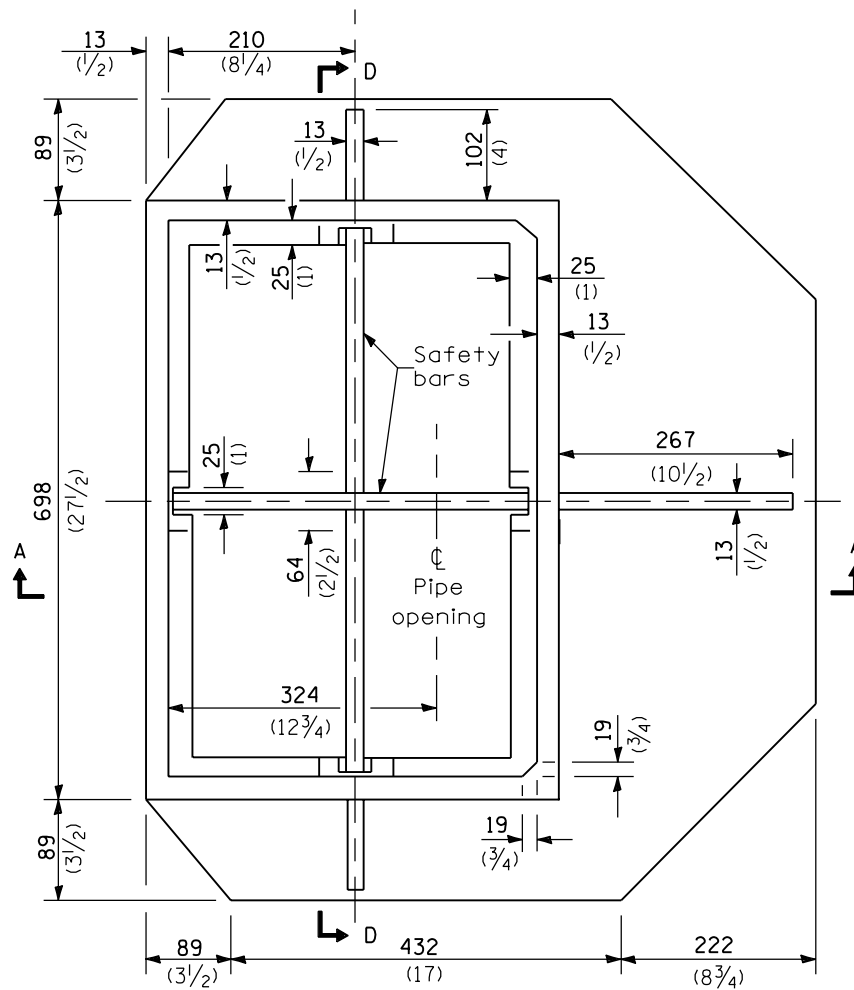
DETAIL A



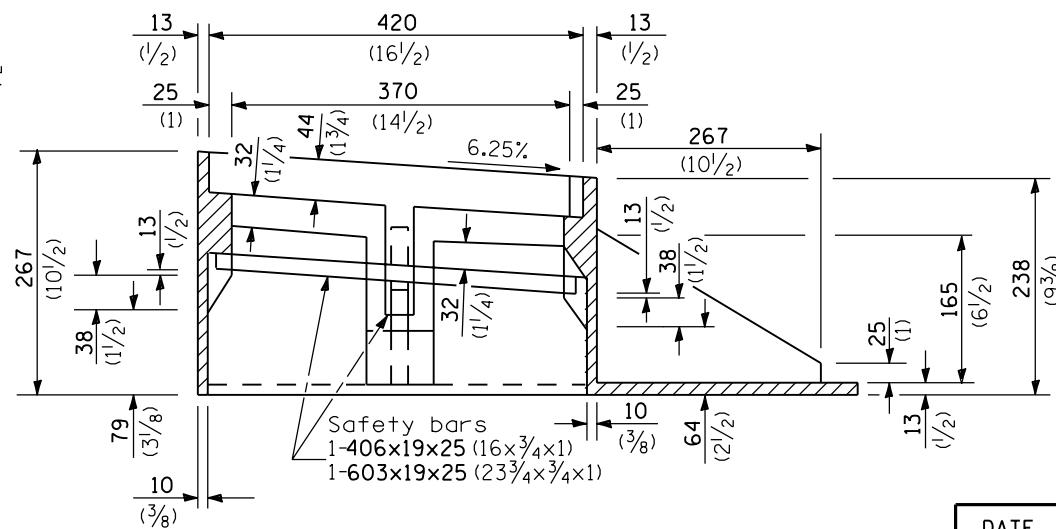
DETAIL B



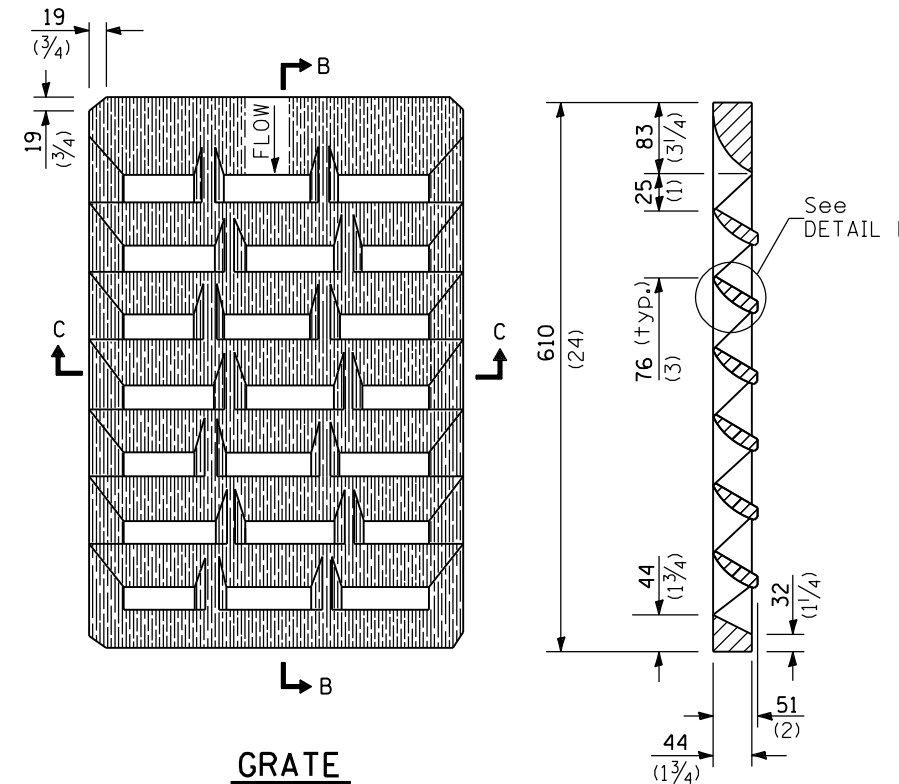
SECTION D-D



PLAN - FRAME

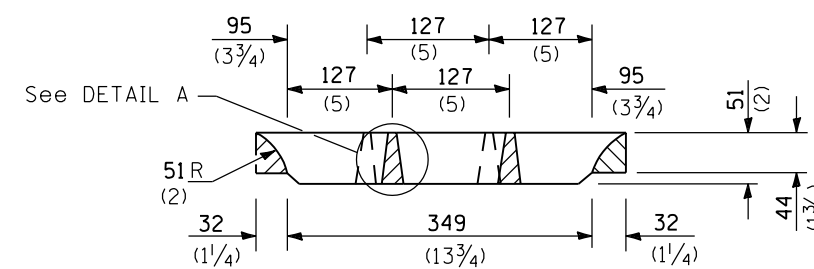


SECTION A-A



GRATE

SECTION B-B



SECTION C-C

All dimensions are in millimeters (inches) unless otherwise shown.

Safety bars
 1-406x19x25 (16x3/4x1)
 1-603x19x25 (23 3/4x3/4x1)

Illinois Department of Transportation

PASSED January 1, 2004
Michael Brand
 ENGINEER OF POLICY AND PROCEDURES

APPROVED January 1, 2004
Michael L. Hine
 ENGINEER OF DESIGN AND ENVIRONMENT

ISSUED 26-1-1

DATE	REVISIONS
1-1-04	Revised frame and removed weights.
1-1-97	Renum. Standard 2423-1.

**FRAME AND GRATE
 TYPE 23**

STANDARD 604086-01