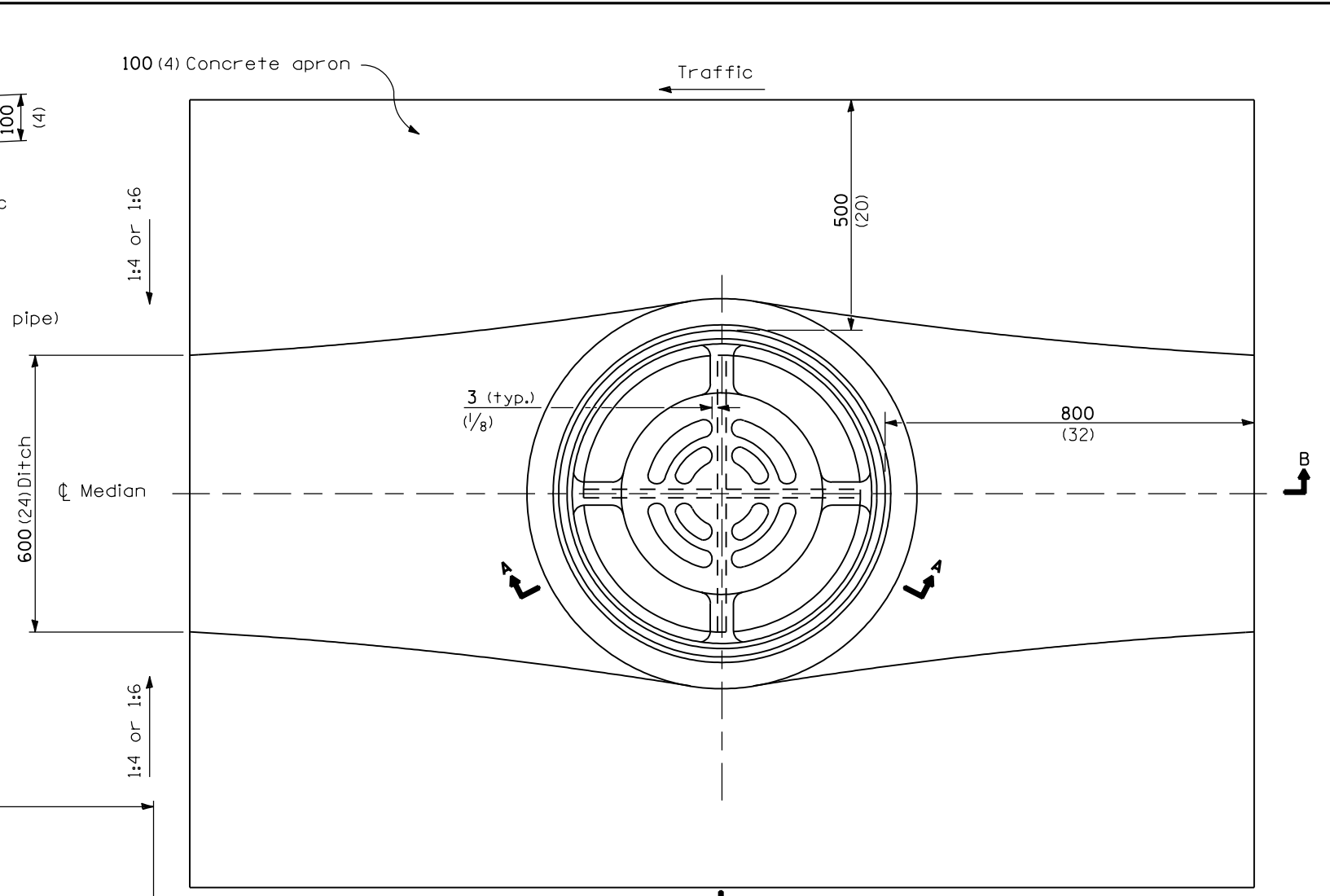
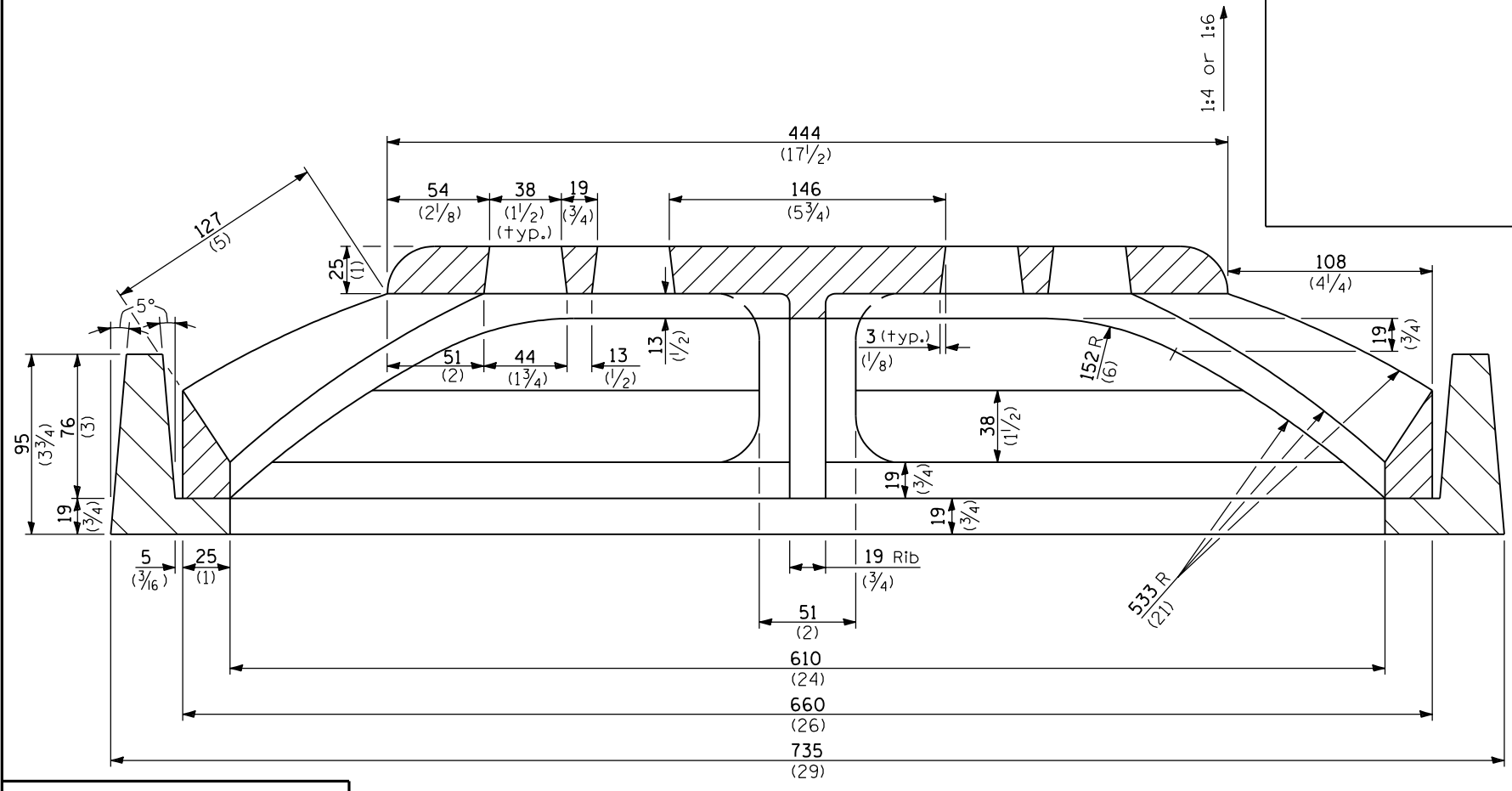


SECTION B-B



LOCATION SKETCH - PLAN



SECTION A-A

GENERAL NOTES

All slope ratios are expressed as units of vertical displacement to units of horizontal displacement (V:H).
 All dimensions are in millimeters (inches) unless otherwise shown.

DATE	REVISIONS
1-1-97	Renum. Standard 2250-3.
6-15-94	Moved G.N. to Specs. Added Metric. Added slope notes.

**MEDIAN INLET for
 600 mm (24")
 REINFORCED CONCRETE
 PIPE**

STANDARD 604101

Illinois Department of Transportation

PASSED January 1, 1997

ENGINEER OF POLICE AND PROCEDURES

APPROVED January 1, 1997

ENGINEER OF DESIGN AND ENVIRONMENT

ISSUED 1-1-97