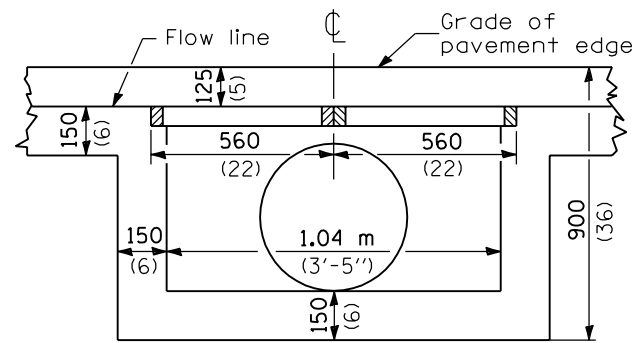
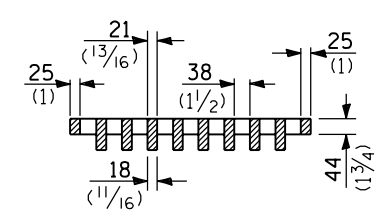


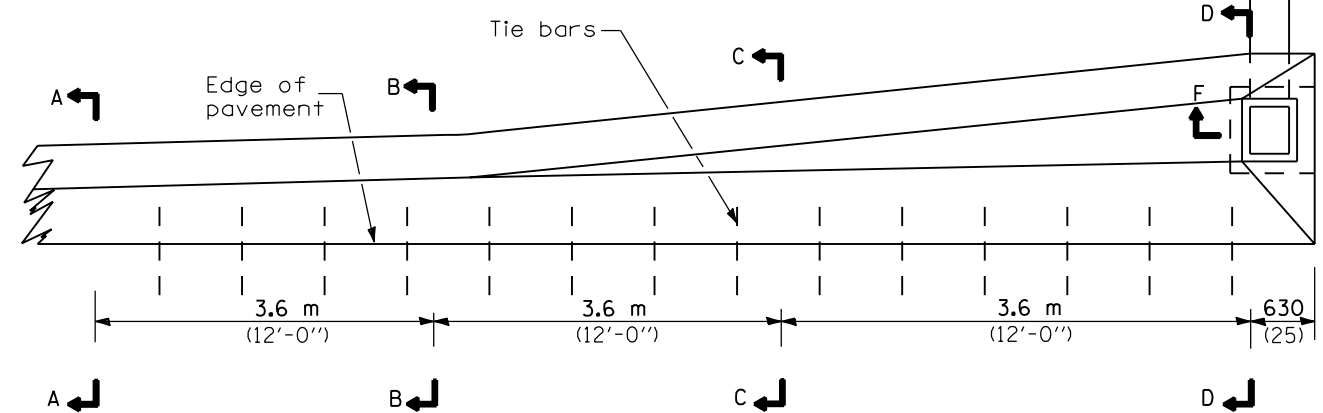
PLAN-DOUBLE OUTLET



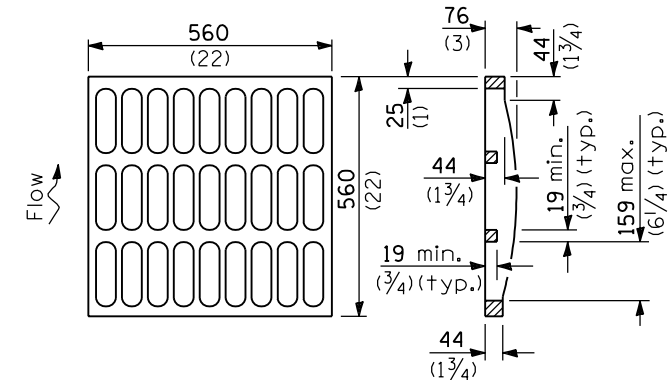
SECTION E-E



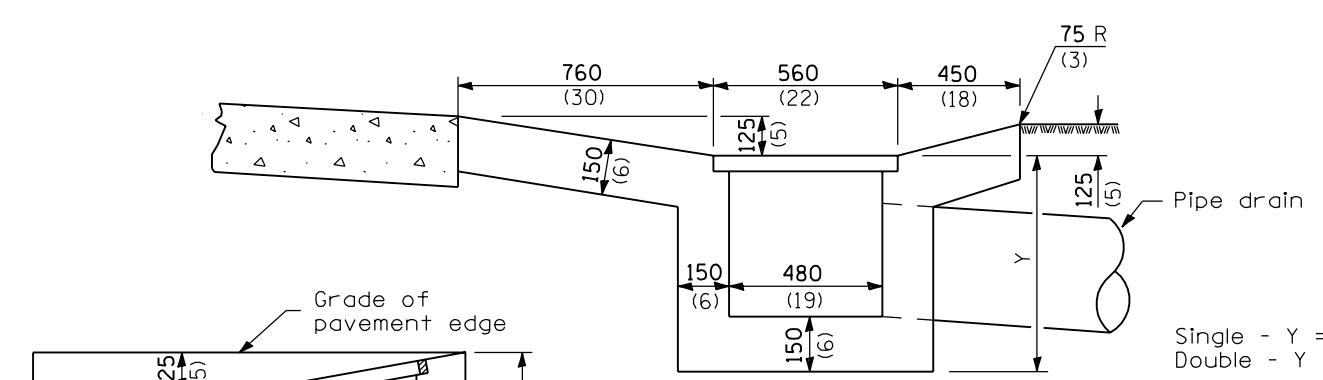
SECTION F-F



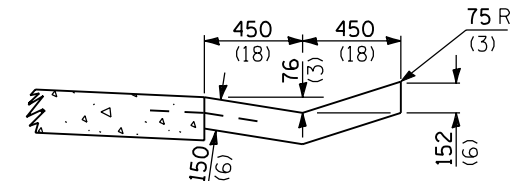
PLAN-SINGLE OUTLET



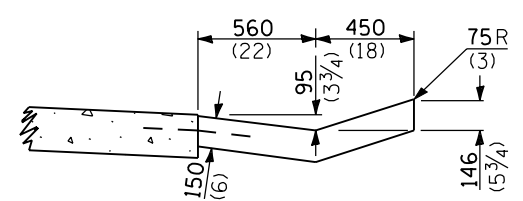
GRATE TYPE A



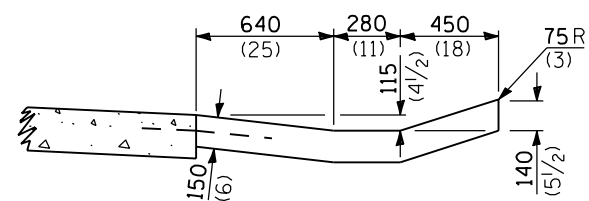
SECTION D-D



SECTION A-A



SECTION B-B



SECTION C-C

QUANTITIES

Material	Single	Double
Concrete - m ³ (cu.yd.)	2.5 (3.3)	5 (6.5)
Cast Iron Grate - Ea. 57 kg (125 lbs.)	1	2
Pipe Drain - Dia. mm (in.)	375 (15)	450 (18)

GENERAL NOTES

The gutter outlet shall be tied to the pavement in accordance with details for longitudinal construction joint shown on Standard 420001.

Tie bars shall be No. 20 (No. 6) at 600 mm (24") centers unless otherwise shown.

If the average grade of pavement for the distance A-D exceeds 2%, this distance shall be increased 1.8 m (6') for each 1% increase in grade.

All dimensions are in millimeters (inches) unless otherwise shown.

Single - Y = 635 (25)
Double - Y = 775 (31)

DATE	REVISIONS
1-1-00	Changed 400 to 375 in Quantities Table
1-1-99	In sec. DD; changed dim. from 785 to 775.

OUTLET TYPE 1 FOR TYPE A GUTTER

STANDARD 606106-02

Illinois Department of Transportation

PASSED January 1, 2000

ENGINEER OF POLICY AND PROCEDURES

APPROVED January 1, 2000

ENGINEER OF DESIGN AND ENVIRONMENT

ISSUED 16-1-1-2000