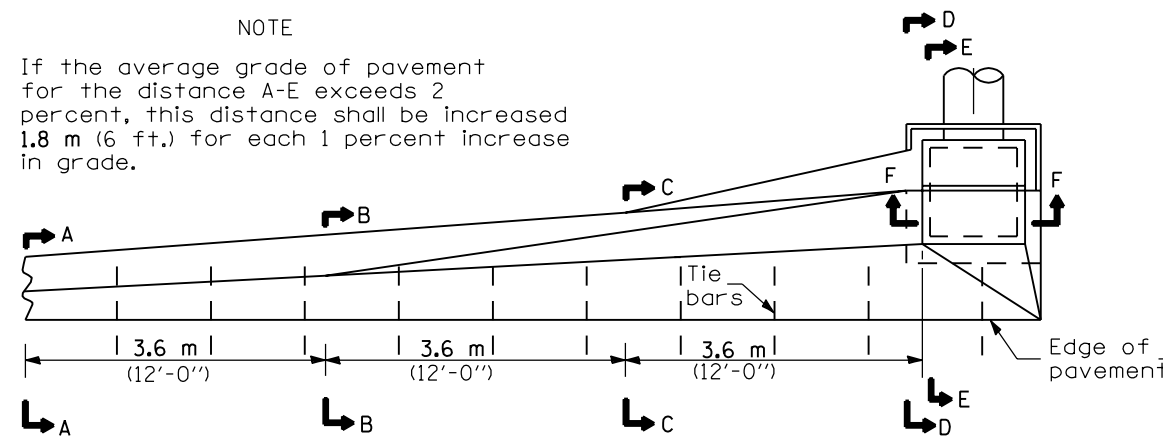
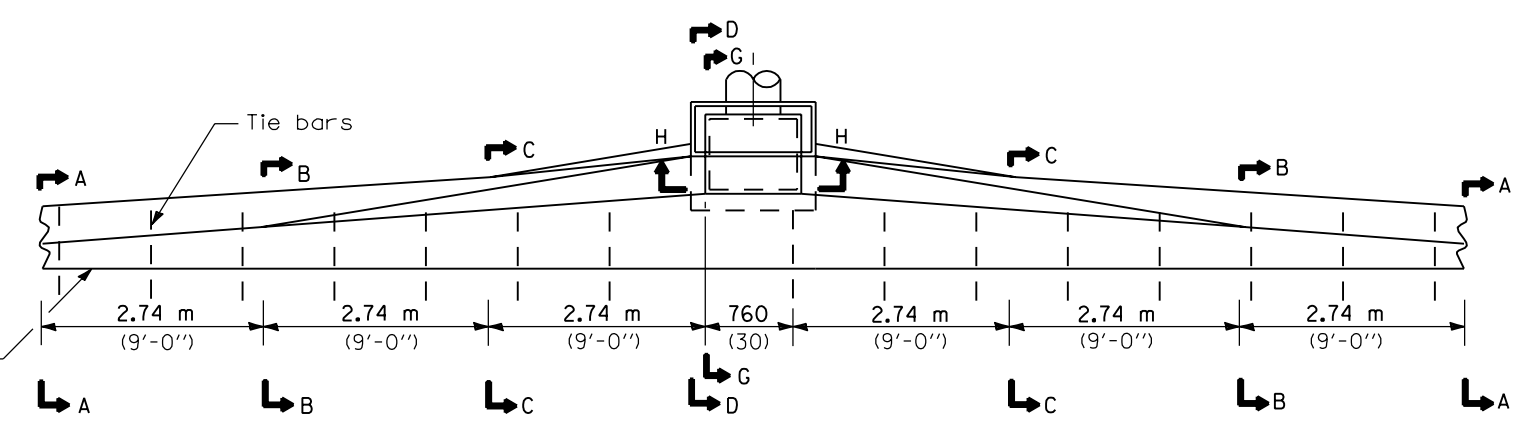


NOTE

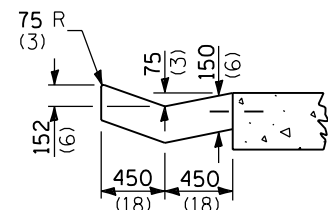
If the average grade of pavement for the distance A-E exceeds 2 percent, this distance shall be increased 1.8 m (6 ft.) for each 1 percent increase in grade.



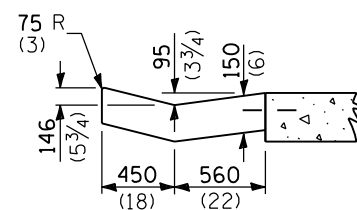
PLAN - SINGLE OUTLET



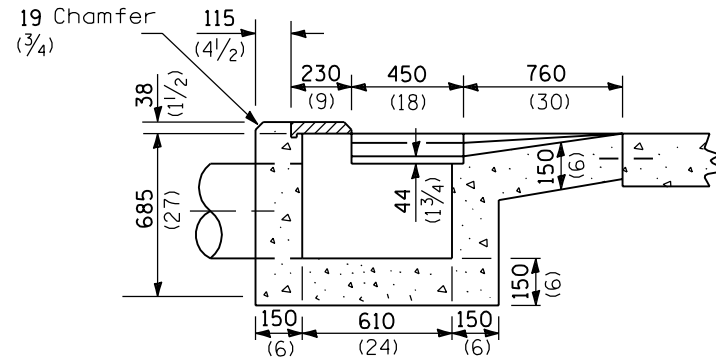
PLAN - DOUBLE OUTLET



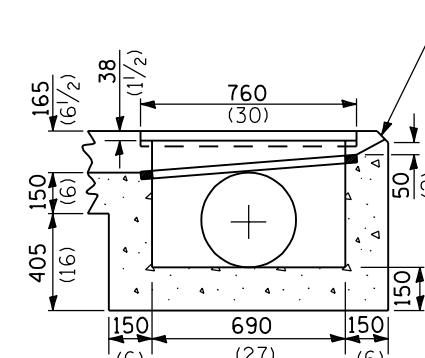
SECTION A-A



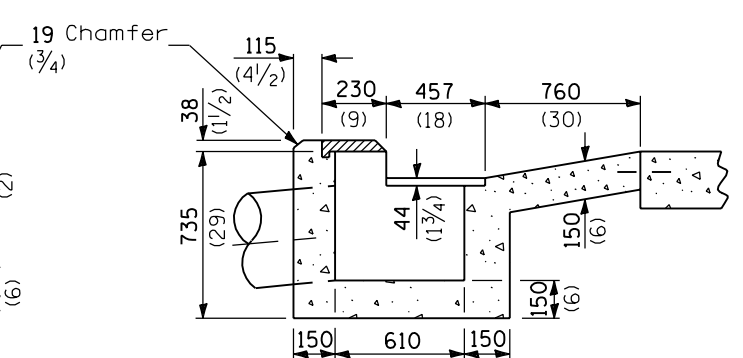
SECTION B-B



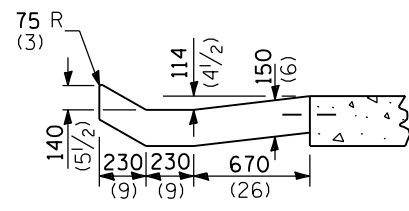
SECTION E-E



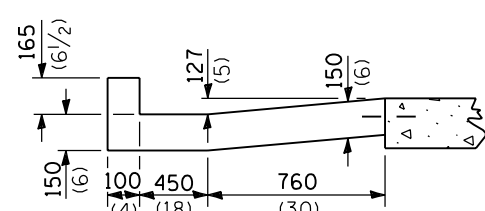
SECTION F-F



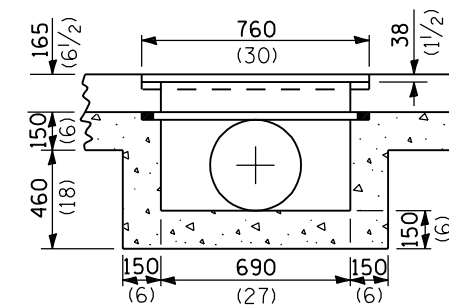
SECTION G-G



SECTION C-C



SECTION D-D



SECTION H-H

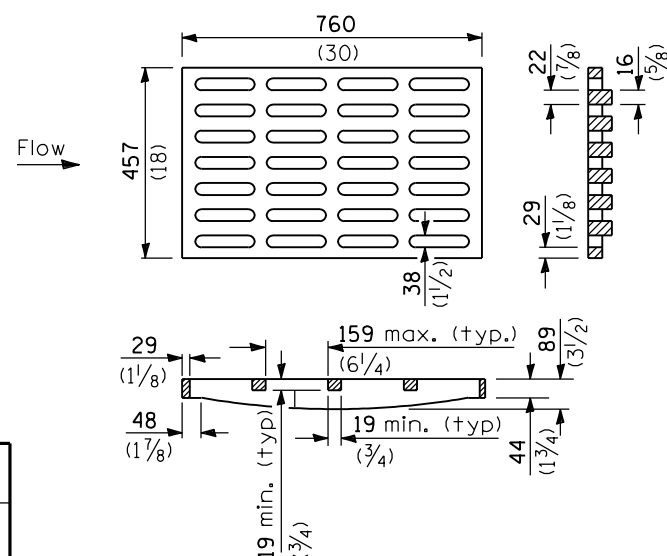
QUANTITIES

Material	Single	Double
Concrete - m ³	2.35	3.31
(cu. yd.)	(3.07)	(4.33)
Cast Iron Grate- Ea.	1	1
74 kg (163 lbs.)		
Cast Iron Cover- Ea.	1	1
47 kg (104 lbs.)		
Pipe Drain - Dia. mm	375	450
(ins.)	(15)	(18)

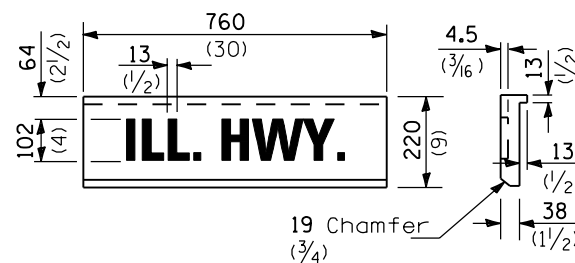
GENERAL NOTES

The gutter outlet shall be tied to the pavement in accordance with details for longitudinal construction joint shown on Standard 420001.

All dimensions are in millimeters (inches) unless otherwise shown.



GRATE AND COVER TYPE 2A



Illinois Department of Transportation

PASSED January 1, 2000

ENGINEER OF POLICY AND PROCEDURES

APPROVED January 1, 2000

ENGINEER OF DESIGN AND ENVIRONMENT

ISSUED 26-1-1

DATE	REVISIONS
1-1-00	Changed 400 to 375 in Quantities Table
1-1-97	Renum. Standard 1793-7.

OUTLETS TYPE 2 FOR TYPE A GUTTER

STANDARD 606111-01