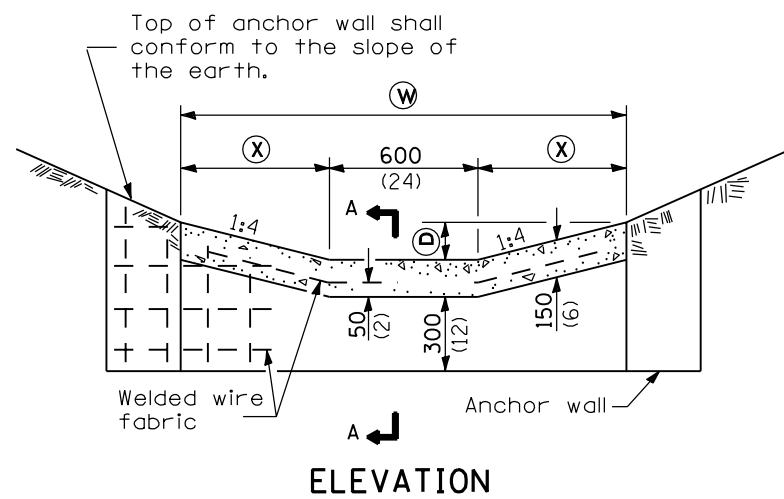


**ELEVATION**

**PAVED DITCH TYPE A**

TABLE FOR PAVED DITCH TYPE A

TYPE	(D)	(W)	(X)	Flow Area m <sup>2</sup> (sq. ft.)	Conc Area m <sup>2</sup> (sq. yd.)
A-15	150 (6)	1.5 m (5'-0")	450 (18)	.157 (1.75)	.225 (0.278)
A-22	225 (9)	1.95 m (6'-6")	675 (27)	.287 (3.19)	.293 (0.361)
A-30	300 (12)	2.4 m (8'-0")	900 (36)	.450 (5.00)	.360 (0.444)
A-37	375 (15)	2.85 m (9'-6")	1.12 m (3'-9")	.645 (7.19)	.426 (0.528)
A-45	450 (18)	3.3 m (11'-0")	1.35 m (4'-6")	.877 (9.75)	.495 (0.611)
A-52	525 (21)	3.75 m (12'-6")	1.58 m (5'-3")	1.144 (12.69)	.564 (0.694)
A-60	600 (24)	4.2 m (14'-0")	1.8 m (6'-0")	1.440 (16.00)	.630 (0.778)

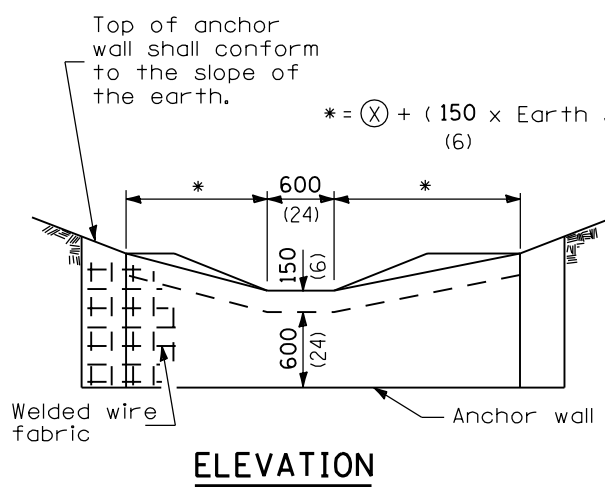


**ELEVATION**

**PAVED DITCH TYPE B**

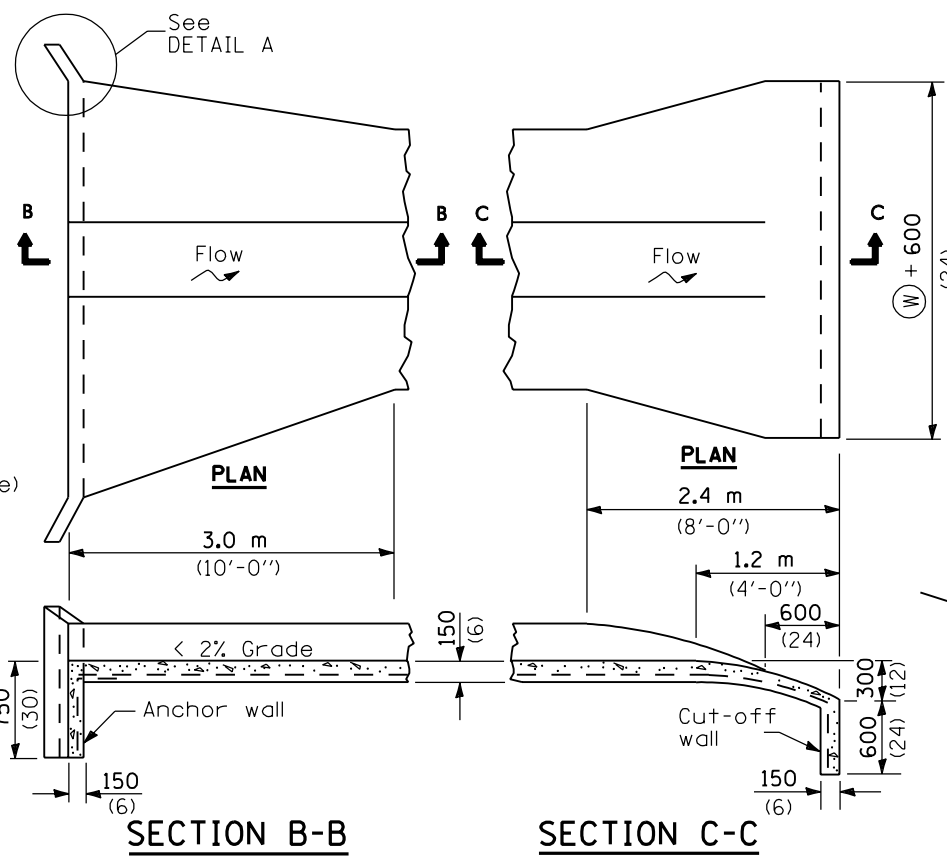
TABLE FOR PAVED DITCH TYPE B

TYPE	(D)	(W)	(X)	Flow Area m <sup>2</sup> (sq. ft.)	Conc Area m <sup>2</sup> (sq. yd.)
B-15	150 (6)	1.8 m (6'-0")	600 (24)	.180 (2.00)	.270 (0.333)
B-22	225 (9)	2.4 m (8'-0")	900 (36)	.337 (3.75)	.360 (0.444)
B-30	300 (12)	3.0 m (10'-0")	1.2 m (4'-0")	.540 (6.00)	.450 (0.555)
B-37	375 (15)	3.6 m (12'-0")	1.5 m (5'-0")	.787 (8.75)	.540 (0.667)
B-45	450 (18)	4.2 m (14'-0")	1.8 m (6'-0")	1.080 (12.00)	.630 (0.778)
B-52	525 (21)	4.8 m (16'-0")	2.1 m (7'-0")	1.417 (15.75)	.720 (0.889)
B-60	600 (24)	5.4 m (18'-0")	2.4 m (8'-0")	1.800 (20.00)	.810 (1.000)



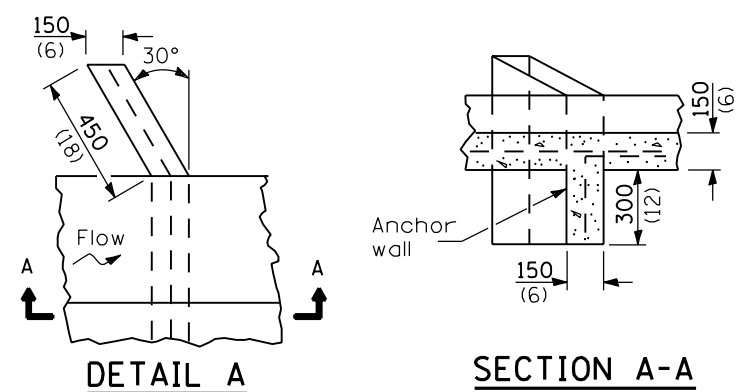
**ELEVATION**

**DETAIL OF UPSTREAM END**



**SECTION B-B**

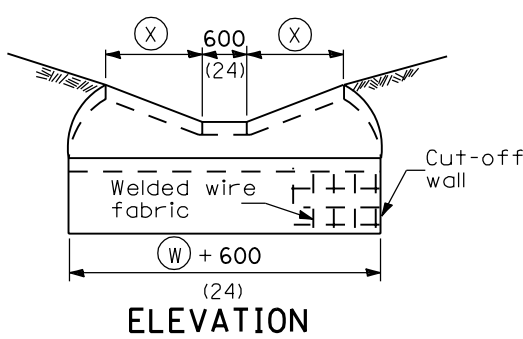
**SECTION C-C**



**DETAIL A**

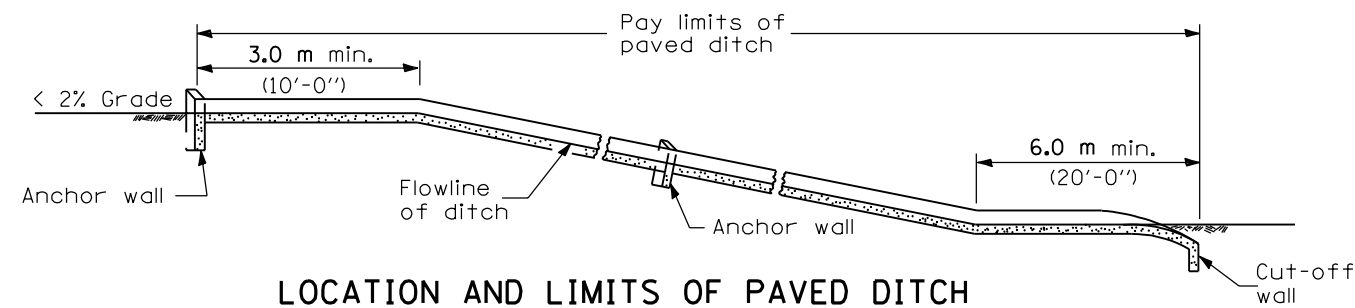
**SECTION A-A**

**DETAIL OF ANCHOR WALL**



**ELEVATION**

**DETAIL OF DOWNSTREAM END**



**LOCATION AND LIMITS OF PAVED DITCH**

**GENERAL NOTES**

All slopes are expressed as of vertical displacement to units of horizontal displacement (V:H).

All dimensions are in millimeters (inches) unless otherwise shown.

Illinois Department of Transportation

PASSED January 1, 1997

ENGINEER OF POLICY AND PROCEDURES

APPROVED January 1, 1997

ENGINEER OF DESIGN AND ENVIRONMENT

ISSUED 16-1-97

DATE	REVISIONS
1-1-97	Renum. Standard 2258-5. Deleted DN Symbol.
6-15-94	Moved G.N. to Specs. Moved Design Notes. Added Metric.

**PAVED DITCH**

**STANDARD 606401**