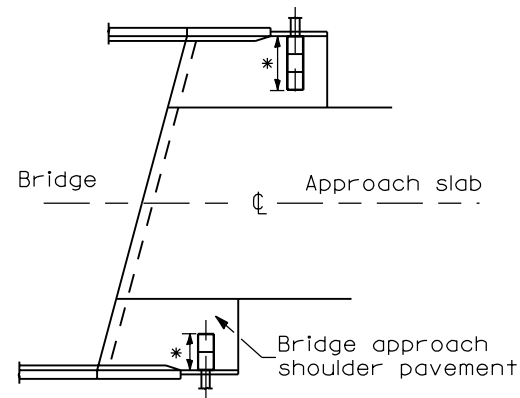
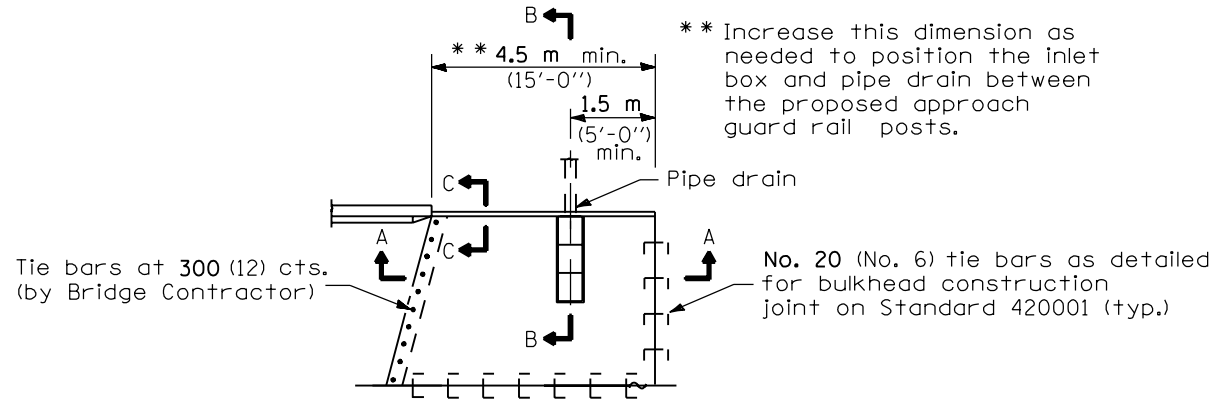


* Type B, C, or D inlet box as required.

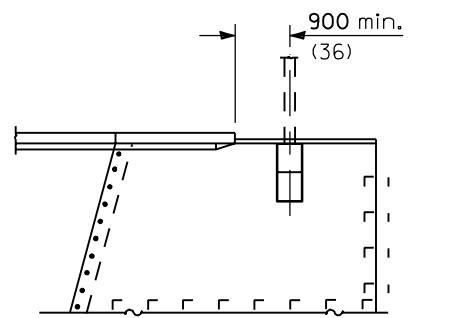


GENERAL PLAN



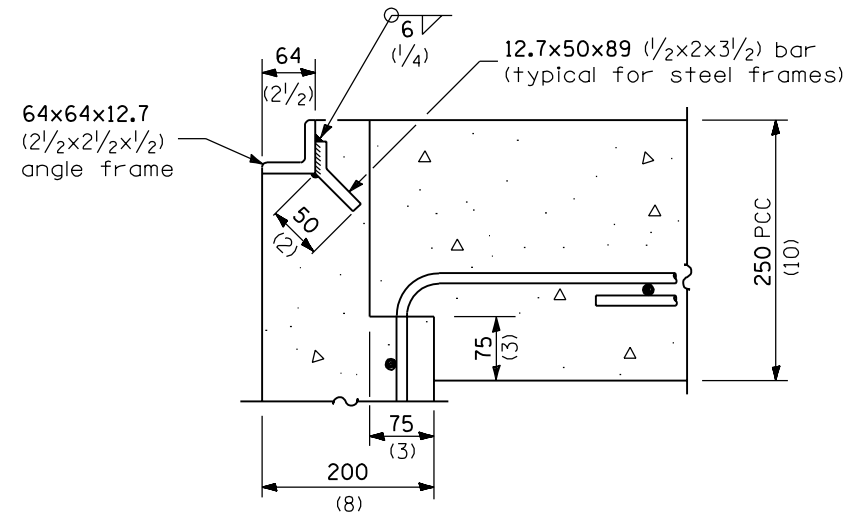
TYPICAL DETAIL PLAN

(W/O Wingwall)

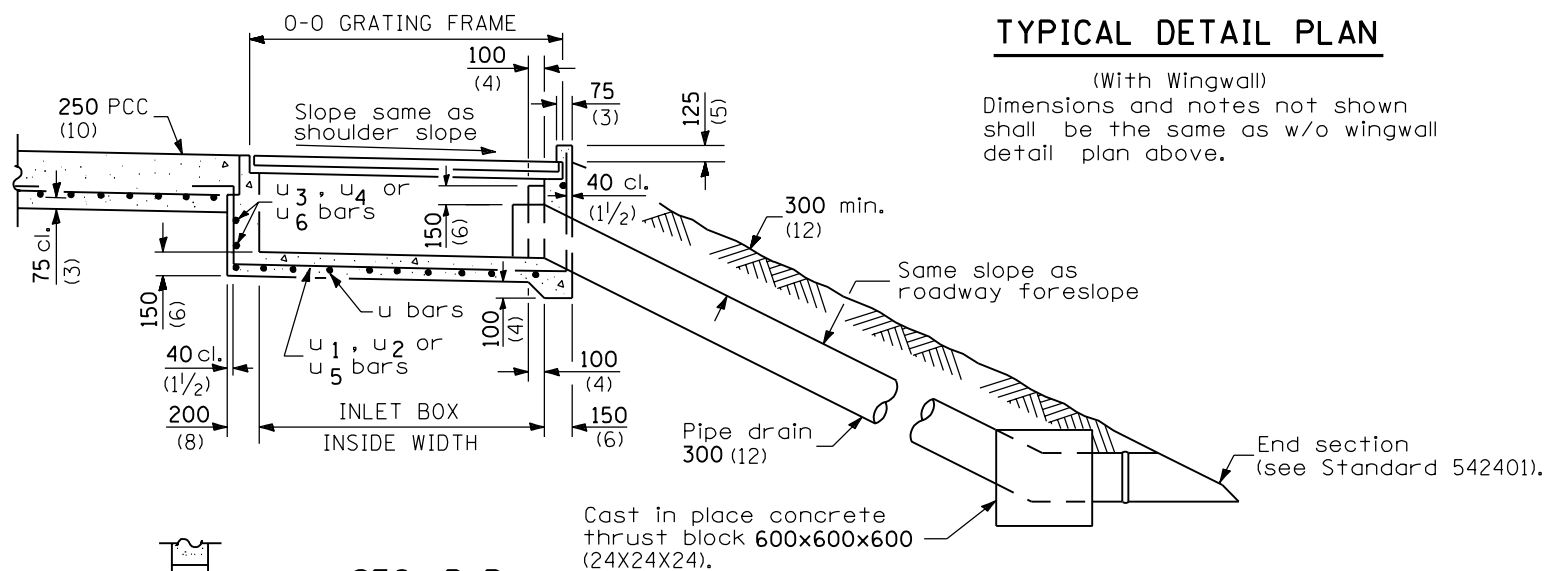


TYPICAL DETAIL PLAN

(With Wingwall)
Dimensions and notes not shown shall be the same as w/o wingwall detail plan above.

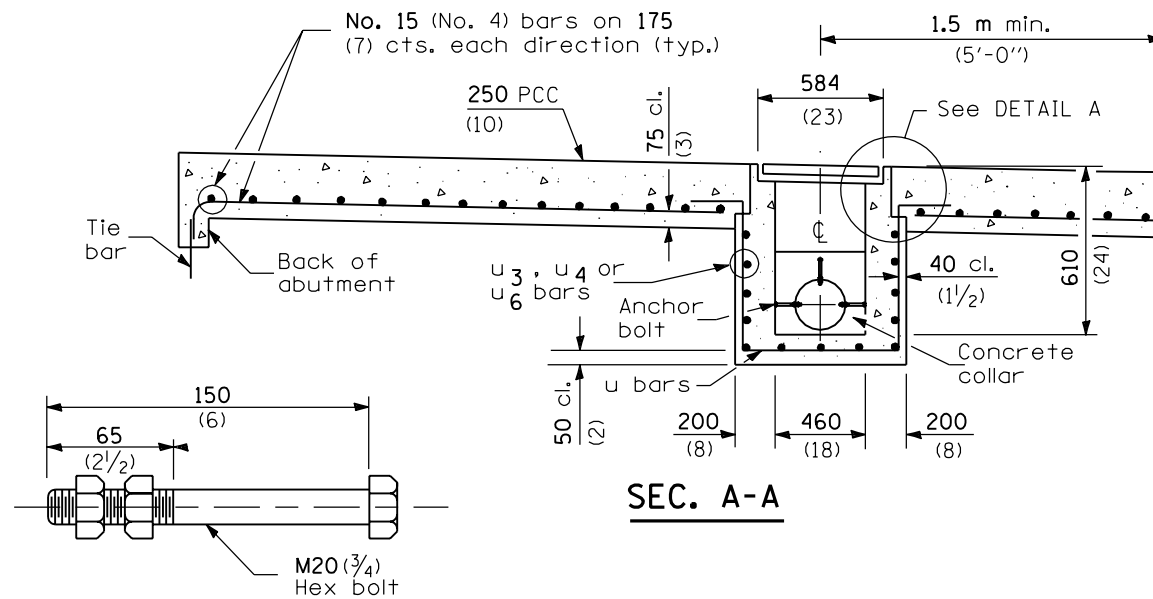


DETAIL A



SEC. B-B

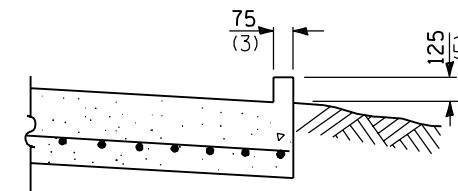
BOX OUTLET WHEN PRECAST



SEC. A-A

ANCHOR BOLT

(Used to tie pipe to concrete collar)



SEC. C-C

GENERAL NOTES

All exposed edges of the inlet, except the upper perimeter, shall be beveled 20 mm (3/4").

For placement of approach shoulder pavement on existing construction substitute expansion anchor ties for bars. Omit tie bars for flexible approaches or bridge approach shoulder pavement constructed monolithically with shoulder pavement.

All dimensions are in millimeters (inches) unless otherwise shown.

INLET TYPE	SHOULDER WIDTH	0-0 GRATING FRAME	INLET BOX INSIDE WIDTH	INLET BOX INSIDE LENGTH
Type B	Less than 1.5 m (5')	0.690 m (2'-3")	0.560 m (1'-10")	460 (18)
Type C	1.5 - 1.8 m (5') (6')	1.325 m (4'-4")	1.195 m (3'-11")	460 (18)
Type D	Greater than 1.8 m (6')	1.960 m (6'-5")	1.830 m (6'-0")	460 (18)

DATE	REVISIONS
1-1-02	Deleted "Metal" from Section B-B.
1-1-98	Rev. ref. to "542101" to read "542401".

BRIDGE APPROACH SHOULDER PAVEMENT AND DRAIN

(Sheet 1 of 2)

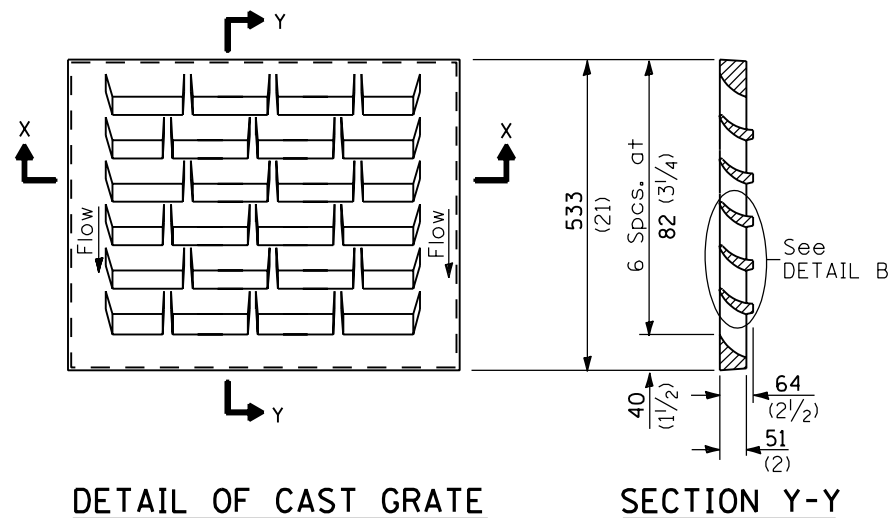
STANDARD 609001-02

Illinois Department of Transportation

PASSED January 1, 2002
Ryan Druell
 ENGINEER OF POLICY AND PROCEDURES

APPROVED January 1, 2002
Michael L. Hine
 ENGINEER OF DESIGN AND ENVIRONMENT

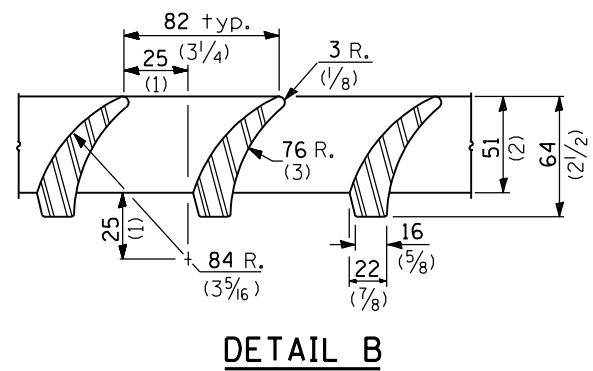
ISSUED 1-1-97



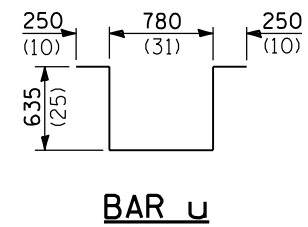
DETAIL OF CAST GRATE

Type B requires 1 grate
 Type C requires 2 grates
 Type D requires 3 grates

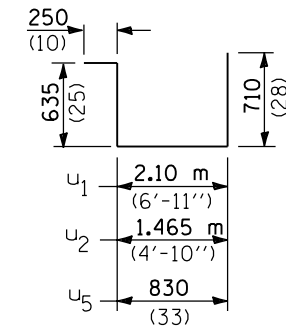
SECTION Y-Y



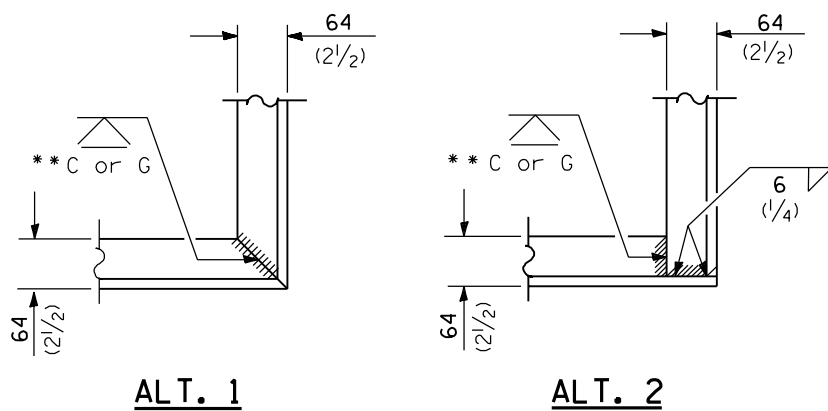
DETAIL B



BAR u



BARS u₁, u₂ & u₅

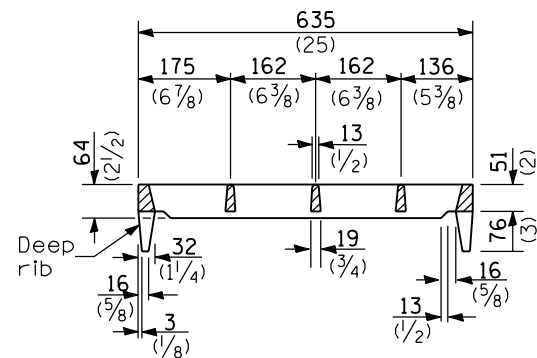


ALT. 1

ALT. 2

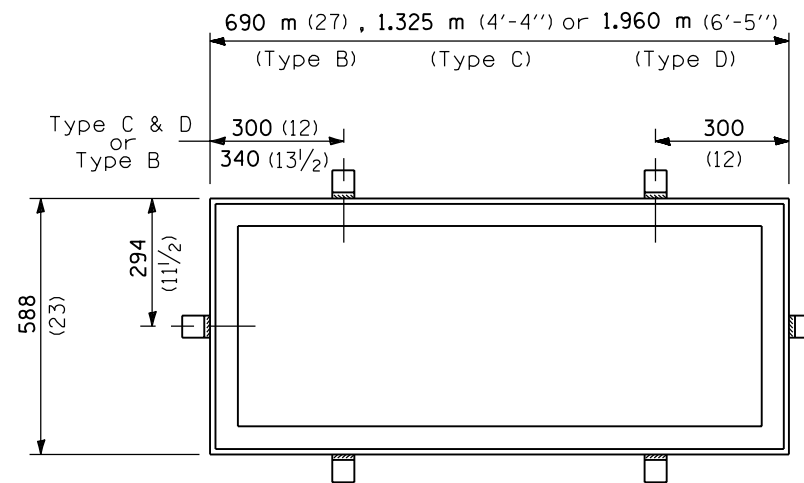
TYPICAL CORNER of STEEL GRATING FRAME

**Cut or Grind flush



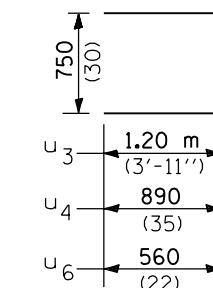
SECTION X-X

(Deep rib shall be omitted for end(s) resting on frame perimeter)



DETAIL OF STEEL FRAME

Cast frame to have same basic dimensions.



BARS u₃, u₄ & u₆

INLET BOX

REQUIRED MATERIAL			
TYPE B			
Bar	Qty.	Size	Length
u	4	No. 15 (No.4)	2.550 m (8'-5")
u ₅	3	No. 15 (No.4)	2.425 m (8'-0")
u ₆	4	No. 15 (No.4)	1.870 m (6'-2")
Concrete	m ³ (cu. yds.)		0.4 (0.5)
Reinf. bars	kg (lbs.)		39.2 (55.0)
Grating	m ² (sq. ft.)		0.34 (3.6)
TYPE C			
Bar	Qty.	Size	Length
u	6	No. 15 (No.4)	2.550 m (8'-5")
u ₂	3	No. 15 (No.4)	3.060 m (10'-1")
u ₄	4	No. 15 (No.4)	2.530 m (8'-4")
Concrete	m ³ (cu. yds.)		0.6 (0.8)
Reinf. bars	kg (lbs.)		54.3 (76)
Grating	m ² (sq. ft.)		0.68 (7.3)
TYPE D			
Bar	Qty.	Size	Length
u	8	No. 15 (No.4)	2.550 m (8'-5")
u ₁	3	No. 15 (No.4)	3.695 m (12'-2")
u ₃	4	No. 15 (No.4)	3.150 m (10'-4")
Concrete	m ³ (cu. yds.)		0.8 (1.1)
Reinf. bars	kg (lbs.)		69.2 (97.0)
Grating	m ² (sq. ft.)		1.02 (10.9)

All dimensions are in millimeters (inches) unless otherwise shown.

BRIDGE APPROACH SHOULDER PAVEMENT AND DRAIN

(Sheet 2 of 2)

STANDARD 609001-02

Illinois Department of Transportation

PASSED January 1, 2002
Ryan Dinkell
 ENGINEER OF POLICY AND PROCEDURES

APPROVED January 1, 2002
Michael L. Hine
 ENGINEER OF DESIGN AND ENVIRONMENT

ISSUED 26-1-1
 26-1-1