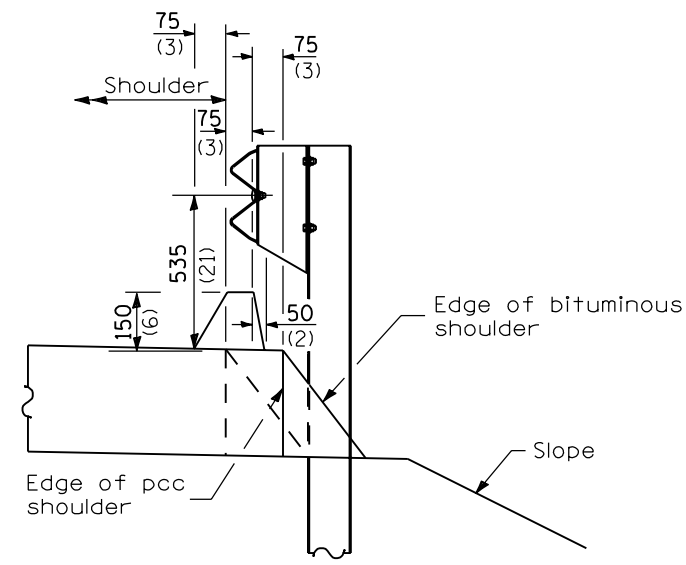


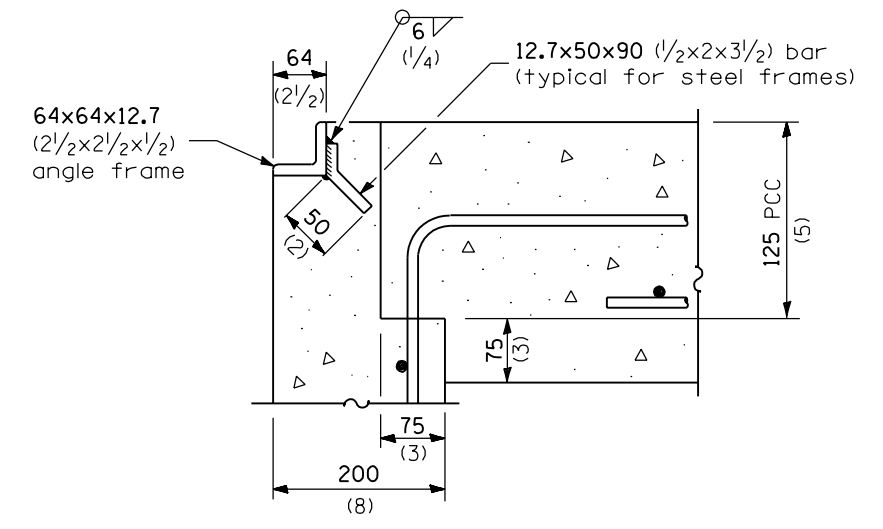
① Joints in prolongation with existing joints in pavements.

No. 20 (No. 6) Tie bars or expansion anchor ties at 600 (24) cts.

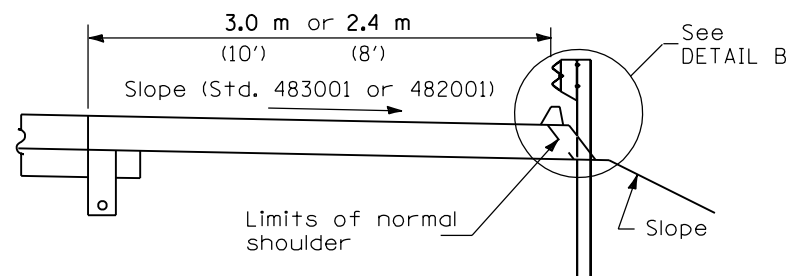
**PLAN**



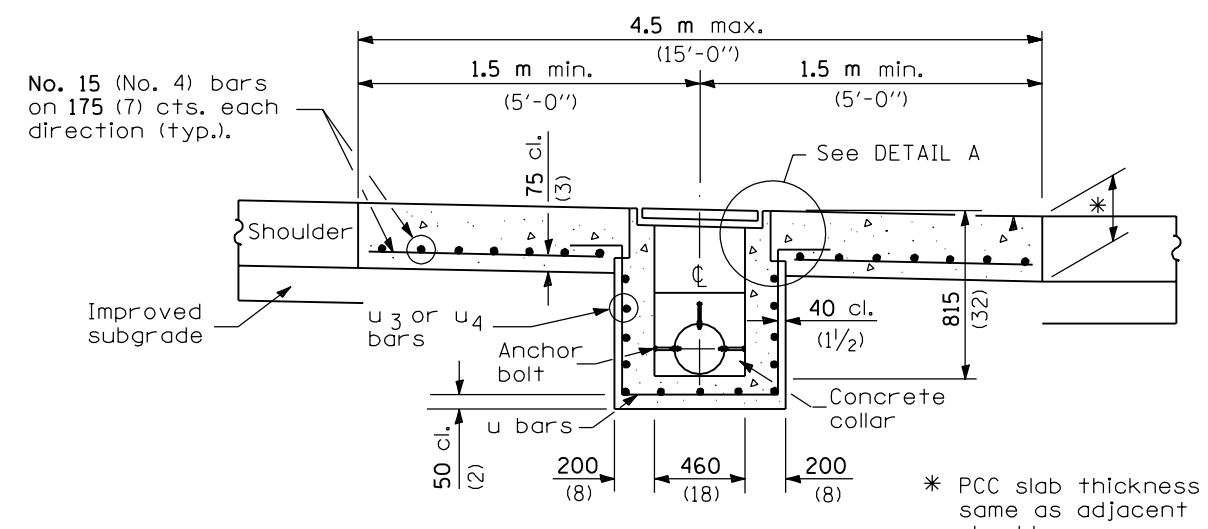
**DETAIL B**



**DETAIL A**



**SECTION C-C**



**SEC. A-A**

\* PCC slab thickness same as adjacent shoulder.

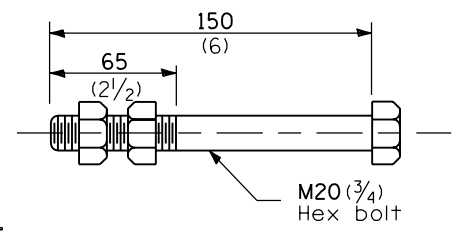
**GENERAL NOTES**

See Standard 420001 for joint details not shown.

All exposed edges of the inlet, except the upper perimeter, shall be beveled 20 mm (3/4").

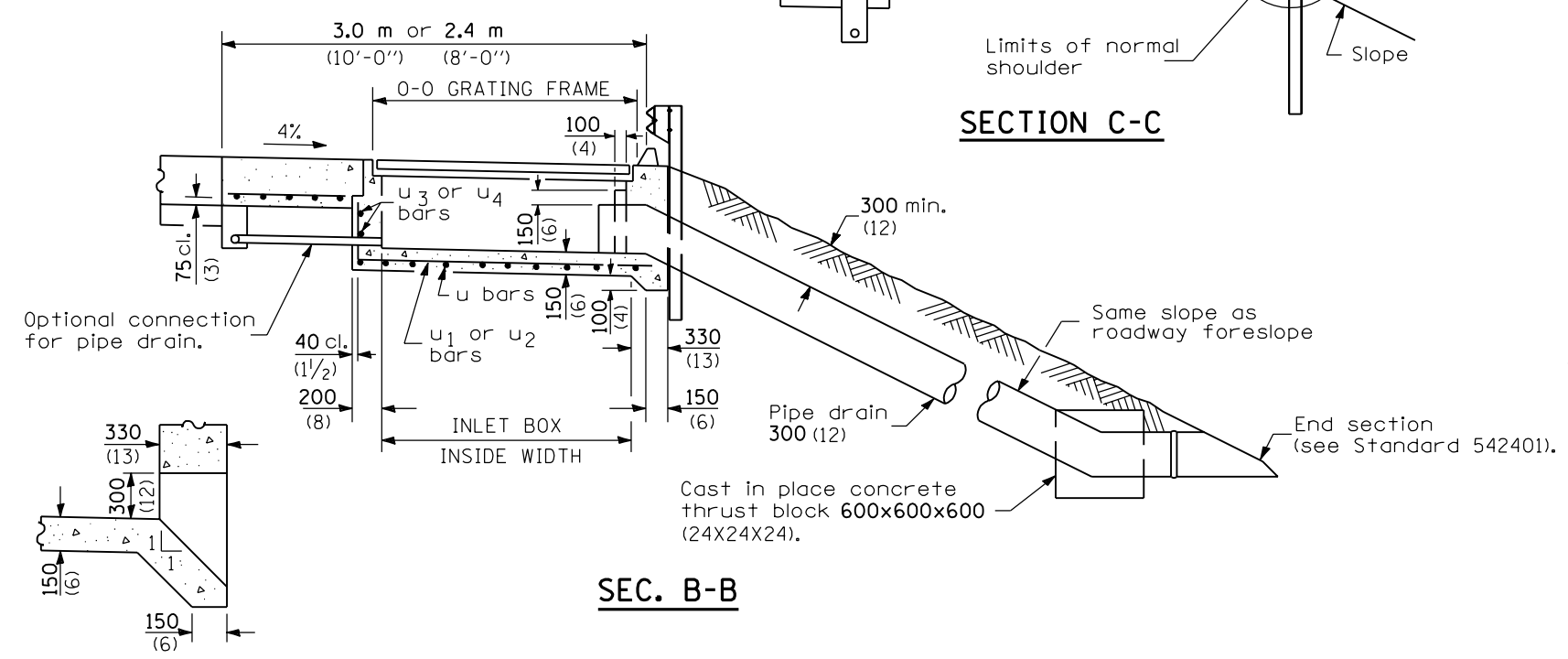
For placement of drainage elements on existing construction with existing rigid pavement, substitute expansion anchor ties for tie bars. For nonrigid pavements or monolithic construction of pcc slab and shoulder, omit tie bars.

All dimensions are in millimeters (inches) unless otherwise shown.



**ANCHOR BOLT**

(Used to tie pipe to concrete collar)



**SEC. B-B**

**BOX OUTLET WHEN PRECAST**

INLET TYPE	SHOULDER WIDTH	0-0 GRATING FRAME	INLET BOX INSIDE WIDTH	INLET BOX INSIDE LENGTH
Type E	2.4 m (8')	1.325 m (4'-4")	1.195 m (3'-11")	460 (18)
Type F	3.0 m (10')	1.960 m (6'-5")	1.830 m (6'-0")	460 (18)

Illinois Department of Transportation

PASSED January 1, 2002

ISSUED 1-1-97

ENGINEER OF POLICY AND PROCEDURES

APPROVED January 1, 2002

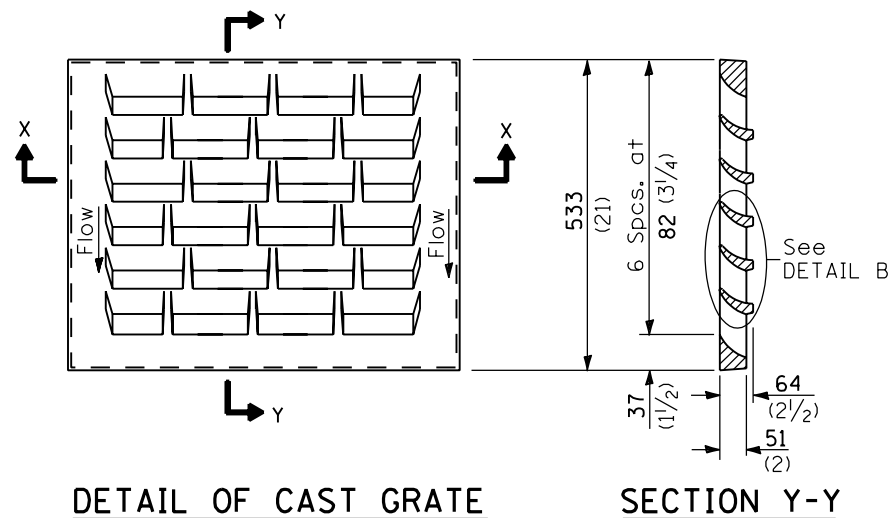
ENGINEER OF DESIGN AND ENVIRONMENT

DATE	REVISIONS
1-1-02	Deleted "Metal" from Section B-B.
1-1-98	Rev. ref. to "542101" to read "542401".

**SHOULDER INLET WITH CURB**

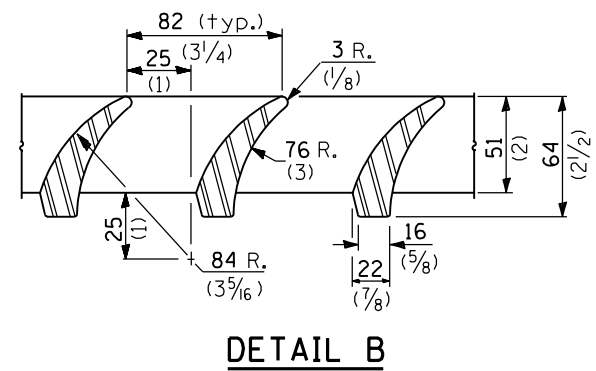
(Sheet 1 of 2)

**STANDARD 610001-02**

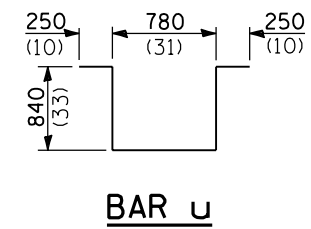


**DETAIL OF CAST GRATE**

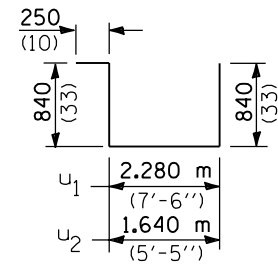
Type E requires 2 grates  
Type F requires 3 grates



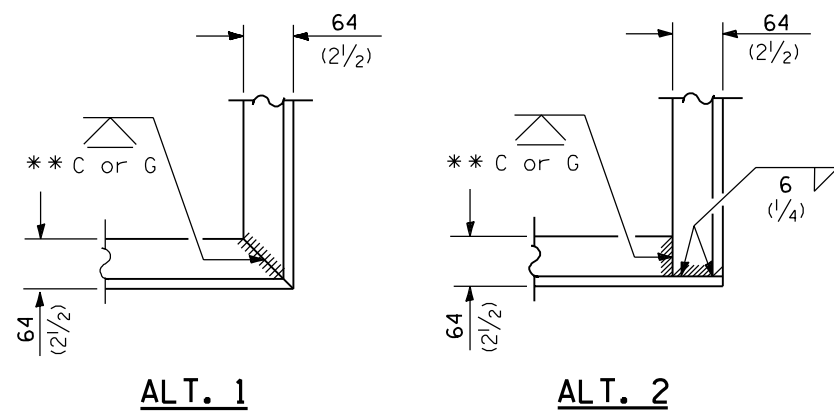
**DETAIL B**



**BAR u**



**BARS u<sub>1</sub>, u<sub>2</sub>**

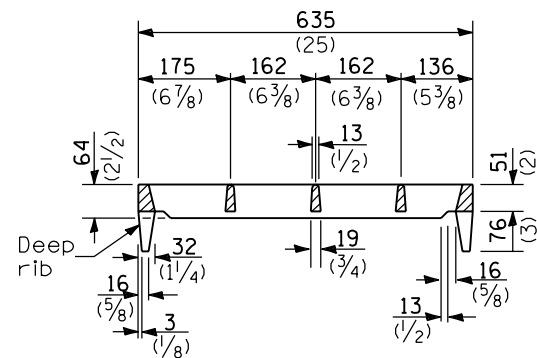


**ALT. 1**

**ALT. 2**

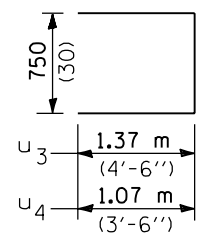
**TYPICAL CORNER of STEEL GRATING FRAME**

\*\* Cut or Grind flush

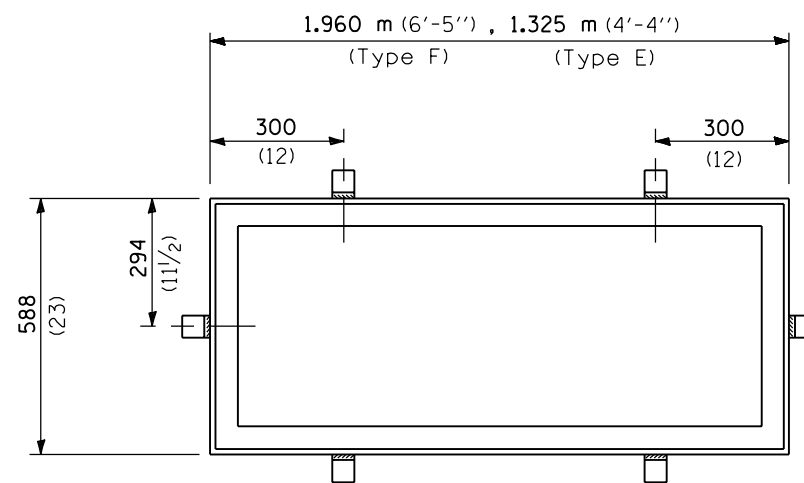


**SECTION X-X**

(Deep rib shall be omitted for end(s) resting on frame perimeter)



**Bars u<sub>3</sub>, u<sub>4</sub>**



**DETAIL OF STEEL FRAME**

Cast frame to have same basic dimensions.

**INLET BOX**

REQUIRED MATERIAL

TYPE F

Bar	Qty.	Size	Length
u	8	No. 15 (No. 4)	2.96 m (9'-9")
u <sub>1</sub>	3	No. 15 (No. 4)	4.21 m (13'-10")
u <sub>3</sub>	6	No. 15 (No. 4)	3.49 m (11'-6")
Concrete	m <sup>3</sup> (cu. yds.)		1.3 (1.7)
Reinf. bars	kg (lbs.)		89.9 (126)
Grating	m <sup>2</sup> (sq. ft.)		1.02 (10.9)

TYPE E

Bar	Qty.	Size	Length
u	6	No. 15 (No. 4)	2.96 m (9'-9")
u <sub>2</sub>	3	No. 15 (No. 4)	3.57 m (11'-9")
u <sub>4</sub>	6	No. 15 (No. 4)	2.89 m (9'-6")
Concrete	m <sup>3</sup> (cu. yds.)		1.0 (1.3)
Reinf. bars	kg (lbs.)		71.9 (101)
Grating	m <sup>2</sup> (sq. ft.)		0.68 (7.3)

All dimensions are in millimeters (inches) unless otherwise shown.

**SHOULDER INLET WITH CURB**

(Sheet 2 of 2)

**STANDARD 610001-02**

Illinois Department of Transportation

PASSED January 1, 2002  
*Ryan Dinkell*  
ENGINEER OF POLICY AND PROCEDURES

APPROVED January 1, 2002  
*Michael L. Hine*  
ENGINEER OF DESIGN AND ENVIRONMENT

ISSUED 16-1-1  
26-1-1