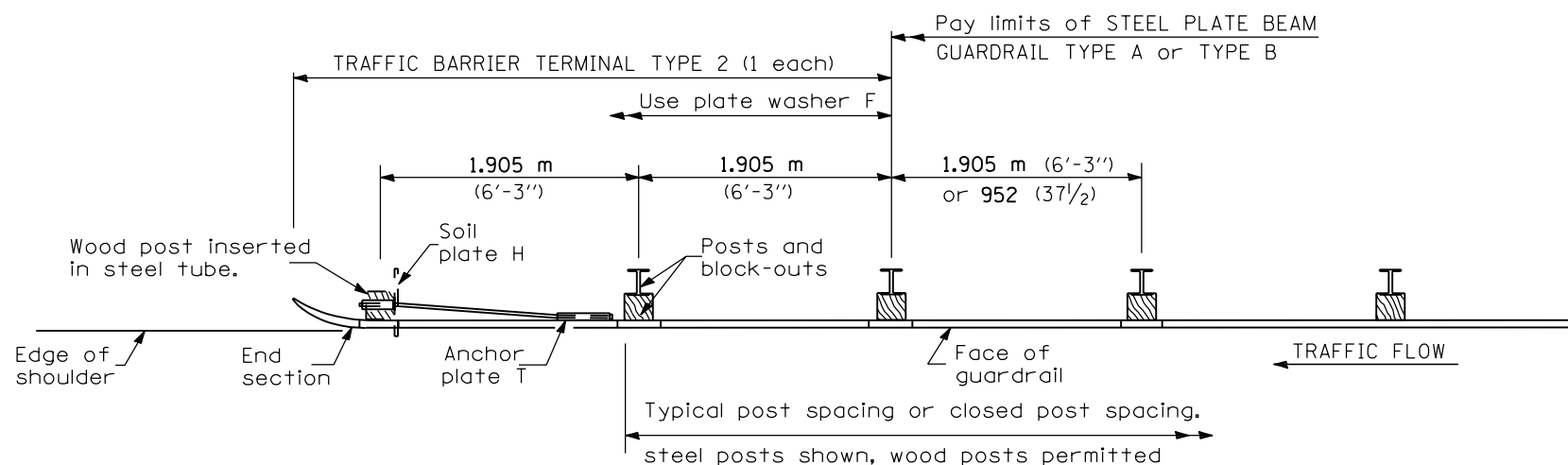
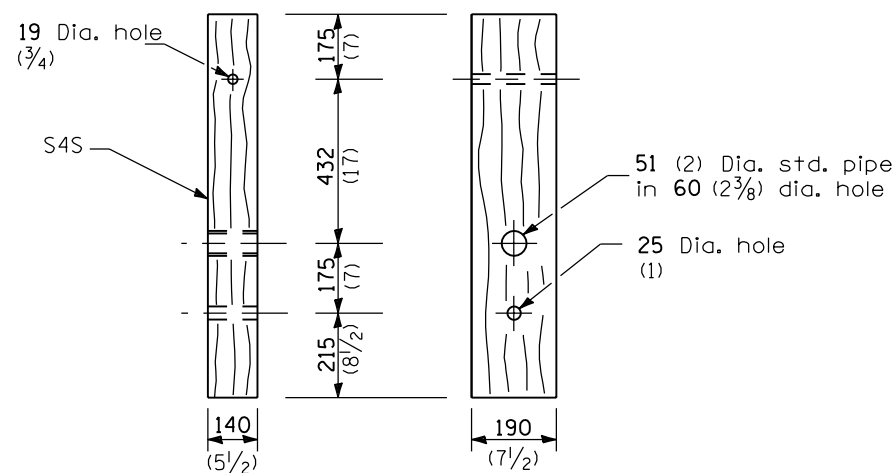


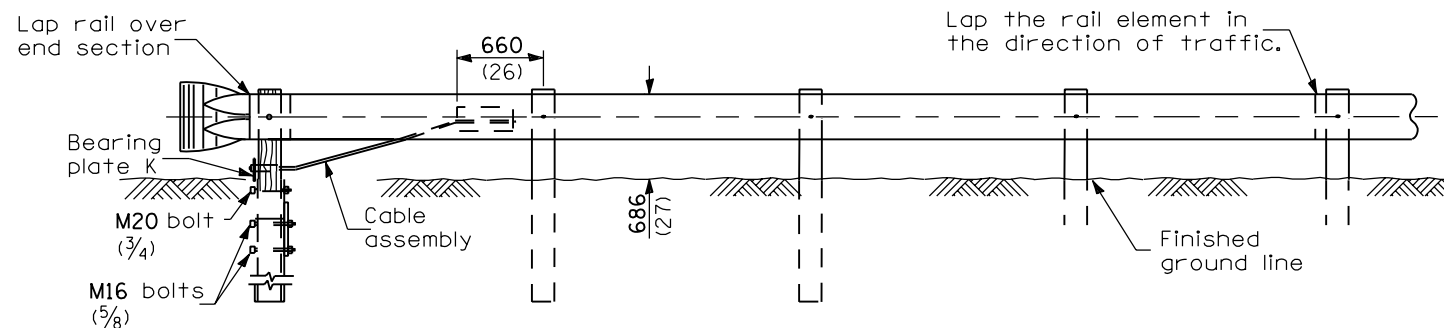
BEARING PLATE K



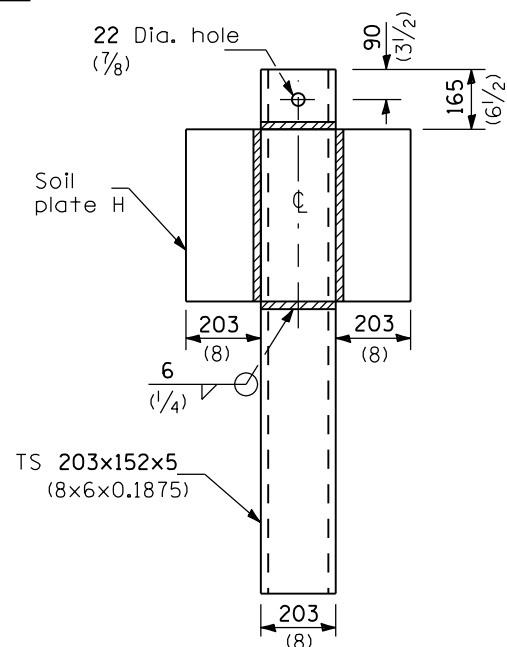
PLAN



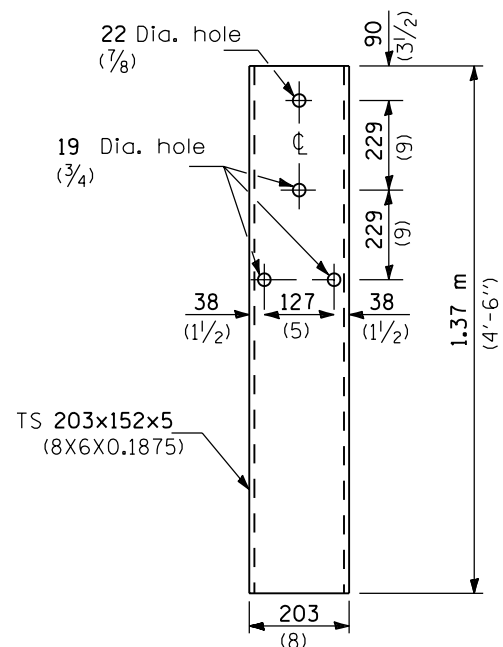
WOOD POST



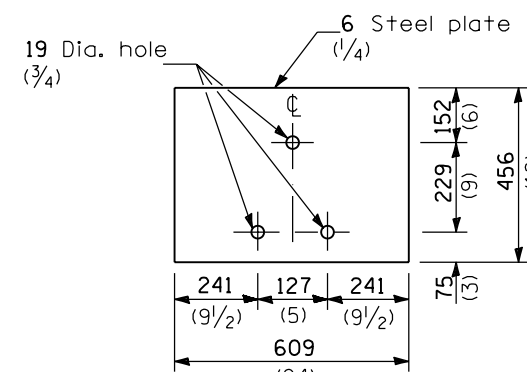
ELEVATION



ALTERNATE SOIL PLATE CONNECTION



STEEL TUBE



SOIL PLATE H

GENERAL NOTES

See Standard 630001 for details of guardrail not shown.

Use plate washer F at all posts.

The bearing plate K shall be held in position by (2) two eight penny nails driven into the post and bent over the top of the plate.

All dimensions are in millimeters (inches) unless otherwise shown.

DATE	REVISIONS
1-1-00	Del. Plate A.
10-1-98	Revised to wooden block-out.

TRAFFIC BARRIER TERMINAL TYPE 2

STANDARD 631011-02

Illinois Department of Transportation
 PASSED January 1, 2000
 ENGINEER OF POLICY AND PROCEDURES
 APPROVED January 1, 2000
 ENGINEER OF DESIGN AND ENVIRONMENT