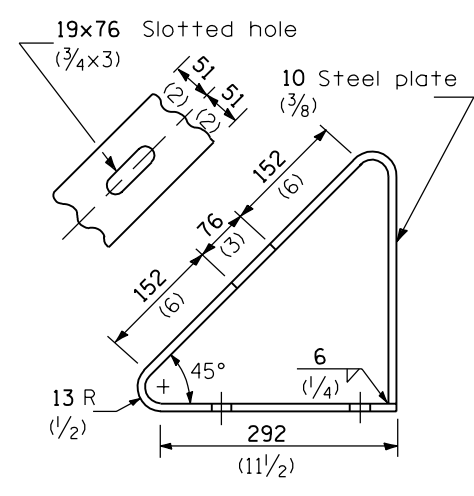
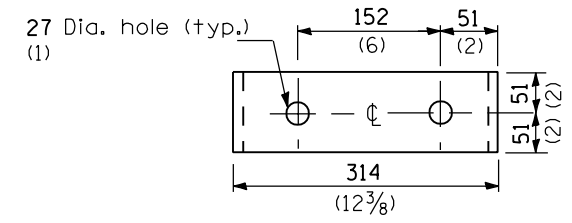


SECTION C-C

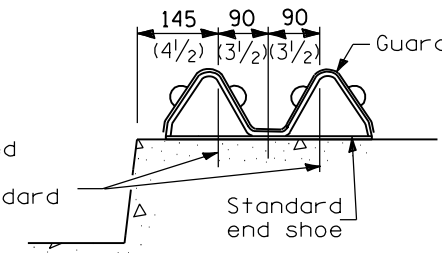


BRACKET Y

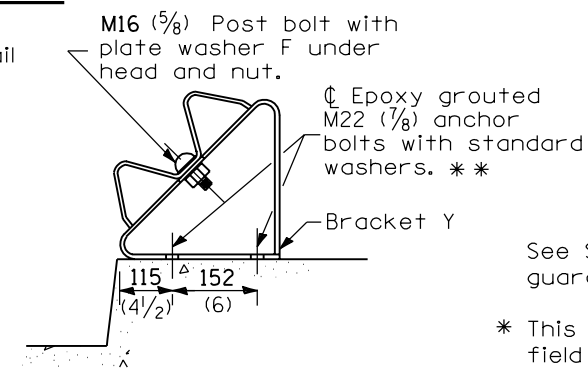


SOIL PLATE J & ALTERNATE CONNECTION DETAILS

⌀ Epoxy grouted M22 (7/8) anchor bolts with standard washers. **



SECTION A-A



SECTION B-B

GENERAL NOTES

- See Standard 630001 for details of guardrail not shown.
- * This dimension may be increased to fit field conditions. This post shall be located first. The layout of the terminal shall be determined by its location.
- ** After tightening, cut the anchor bolts flush with nuts, and damage the bolt head to prevent them from loosening.

All dimensions are in millimeters (inches) unless otherwise shown.

DATE	REVISIONS
1-1-02	Revised M22 (7/8) Bolts.
1-1-01	Revised date in signature block.

TRAFFIC BARRIER TERMINAL TYPE 8

STANDARD 631036-04

Illinois Department of Transportation

PASSED January 1, 2002
Ryan Druell
 ENGINEER OF POLICY AND PROCEDURES

APPROVED January 1, 2002
Michael L. Hine
 ENGINEER OF DESIGN AND ENVIRONMENT

ISSUED 26-1-1