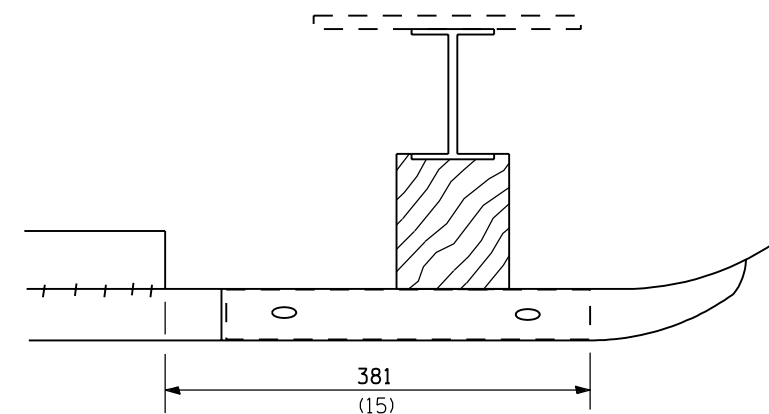
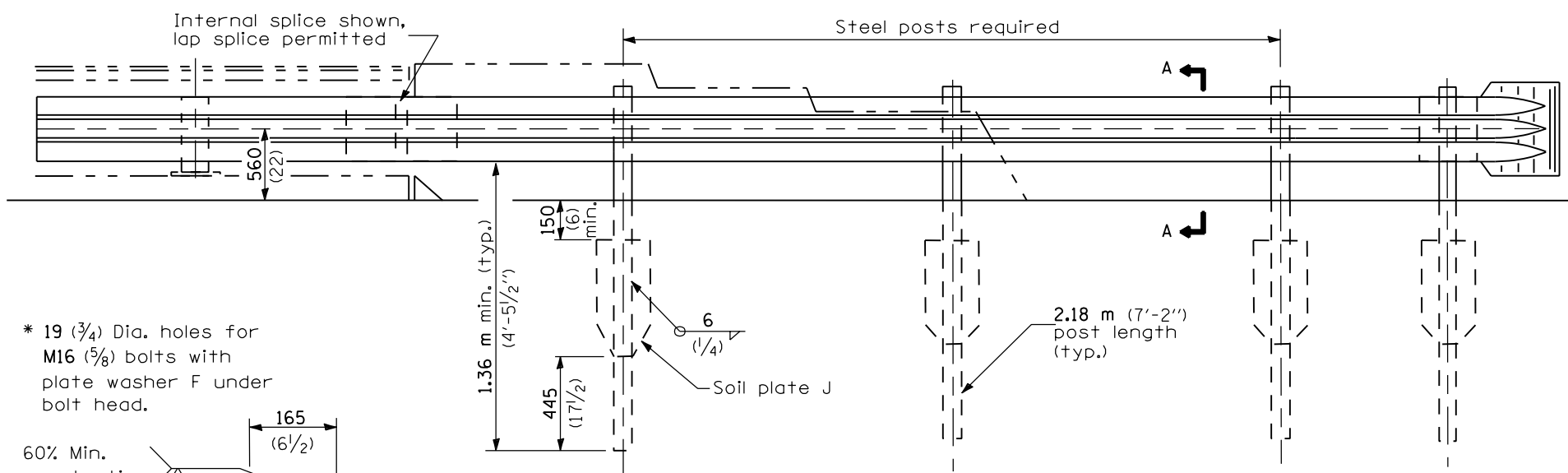


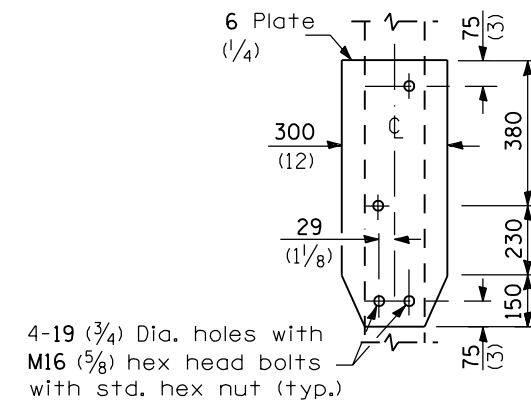
PLAN
(Bridge with expansion joint shown)



DETAIL A



ELEVATION

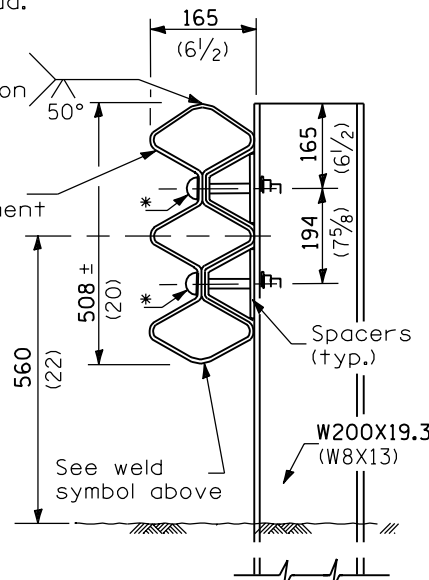


SOIL PLATE J & ALTERNATE CONNECTION DETAILS

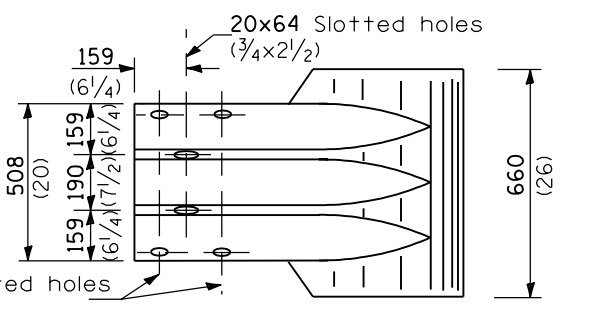
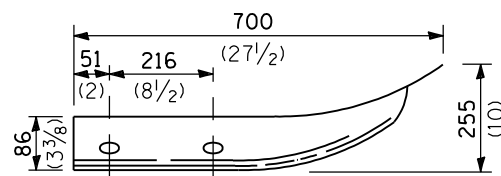
* 19 (3/4) Dia. holes for M16 (5/8) bolts with plate washer F under bolt head.

60% Min. penetration
50°

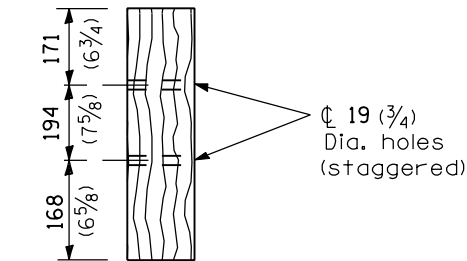
Class B rail element



SECTION A-A



THRIE BEAM FLARED END SECTION



DETAIL of BLOCK-OUT
(1 each)

GENERAL NOTES

See Standard 509001 and 630001 for details of guardrail elements not shown.

The type 12 terminal shall be installed after the posts for the bridge retrofit rail have been located as shown on Standard 509001.

All dimensions are in millimeters (inches) unless otherwise shown.

| DATE | REVISIONS |
|---------|---|
| 10-1-98 | Revised to wooden block-out. |
| 1-1-97 | Renum. Standard 2361-1. Deleted DN Symbol. |

**TRAFFIC BARRIER
TERMINAL TYPE 12**

STANDARD 631056-01

Illinois Department of Transportation

PASSED October 1, 1998
Charles Kallfleiter
ENGINEER OF POLICY AND PROCEDURES

APPROVED October 1, 1998
Bill Sunkley
ENGINEER OF DESIGN AND ENVIRONMENT

ISSUED 1-1-98