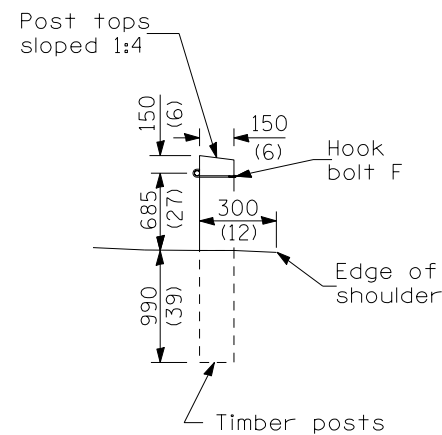


NOTES

V + W shall not exceed 990 (39). When V is 0 to 380 (15), W = 610 (24), and posts shall be shortened as required. When V exceeds 380 (15), W shall be shortened correspondingly.

T = 380 (15) when U is 840 (33) or less. When U exceeds 840 (33) the impervious material shall be removed and the standard anchor shall be used.

Timber blocks shall be nailed to each wood post on the concave side of curve for curves having a radius of less than 180 m (600').



VIEW X-X

Typical Wood Materials	
Item	Size
Post	100x150x1.83 m (4x6x6'0")
Block	50x300x450 (2x12x18)
Rail	50x150 (2x6)
Spacer	50x150x150 (2x6x6)

GENERAL NOTES

The Engineer will determine the stability of the impervious material for anchoring.

All timber shall be either S4S or rough sawn and be treated according to the applicable specification.

All slope ratios are expressed as units of vertical displacement to units of horizontal displacement (V:H).

All dimensions are in millimeters (inches) unless otherwise shown.

Illinois Department of Transportation

PASSED January 1, 2005
Michael Beard
 ENGINEER OF POLICY AND PROCEDURES

APPROVED January 1, 2005
Michael S. Hine
 ENGINEER OF DESIGN AND ENVIRONMENT

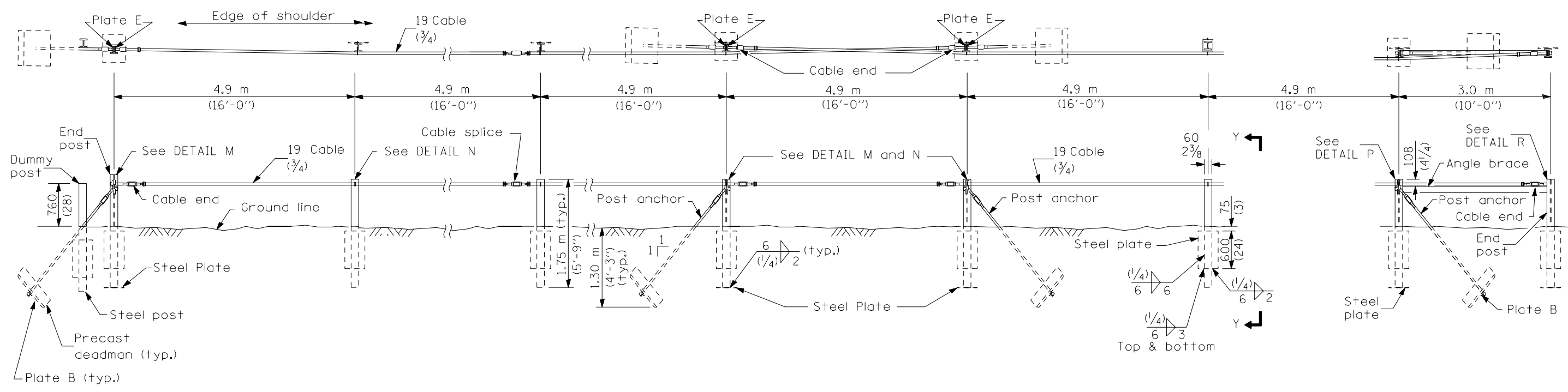
ISSUED 1-1-97

DATE	REVISIONS
1-1-05	Corrected note on Post Anchor detail on sheet 3 of 3.
1-1-97	Renum. Standard 2170-8. Deleted DN Symbol.

CABLE ROAD GUARD SINGLE STRAND

(Sheet 1 of 3)

STANDARD 636001-01

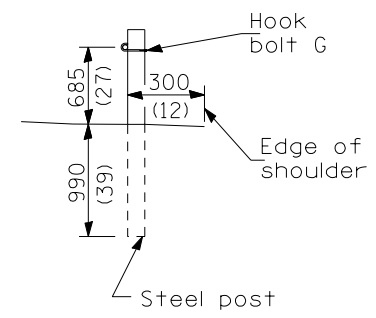


END ANCHOR ARRANGEMENT

INTERMEDIATE ANCHOR ARRANGEMENT

DEAD END ANCHOR ARRANGEMENT

TYPICAL STEEL MATERIALS	
Item	Size
Post	S75x8.5x1.75 m (S3x5.7x5'-9")
Bottom Plate	6x200x200 (1/4x8x8)
Side Plate	6x200x600 (1/4x8x24)
Brace	L 102x76x9.5 (L 4x3x3/8)



VIEW Y-Y

All dimensions are in millimeters (inches) unless otherwise shown.

Illinois Department of Transportation
 PASSED January 1, 2005
 Michael Beard
 ENGINEER OF POLICY AND PROCEDURES
 APPROVED January 1, 2005
 Michael S. Hine
 ENGINEER OF DESIGN AND ENVIRONMENT
 ISSUED 1-1-97

CABLE ROAD GUARD
 SINGLE STRAND
 (Sheet 2 of 3)
STANDARD 636001-01

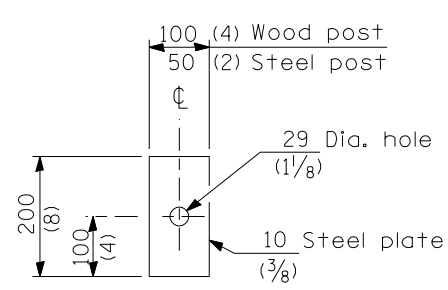


PLATE C

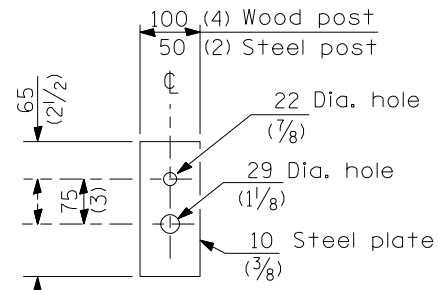
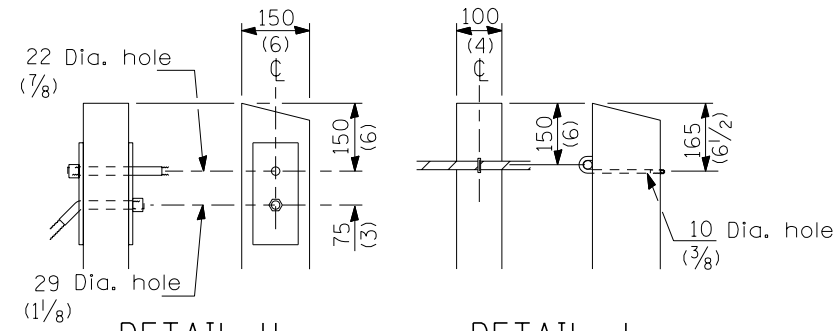
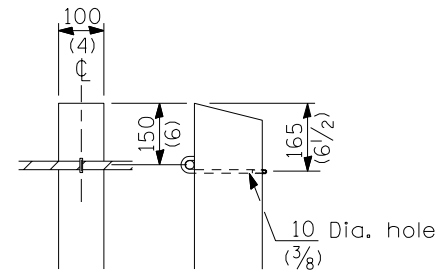


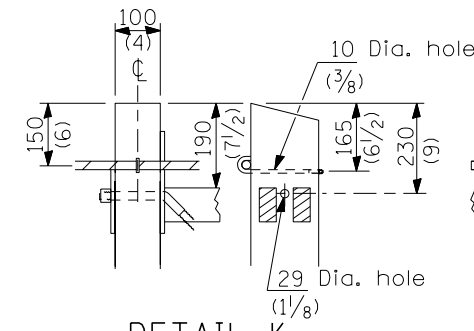
PLATE E



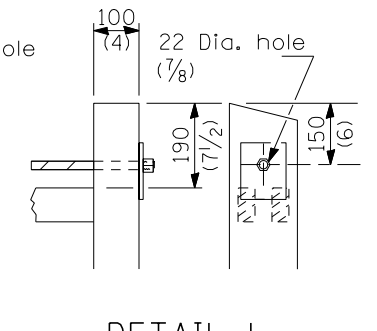
DETAIL H



DETAIL J



DETAIL K



DETAIL L

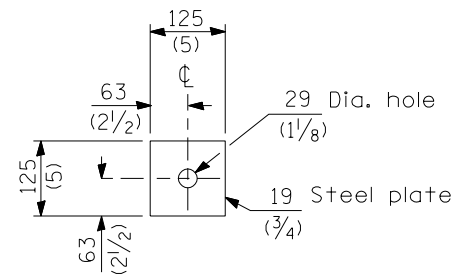


PLATE B

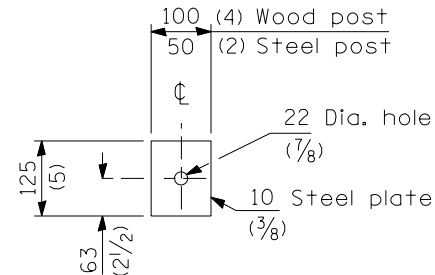
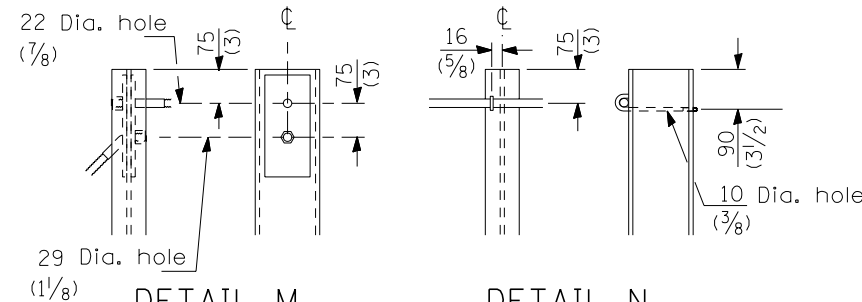
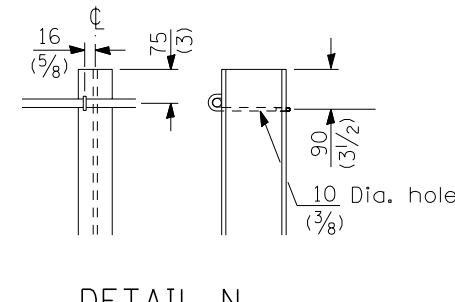


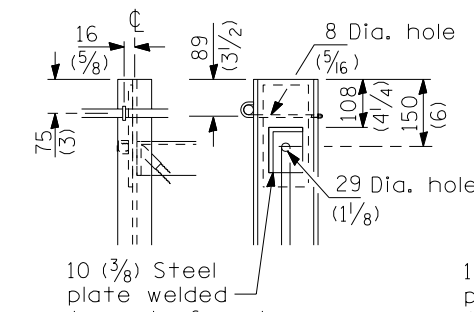
PLATE D



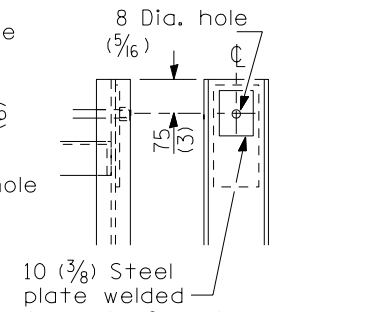
DETAIL M



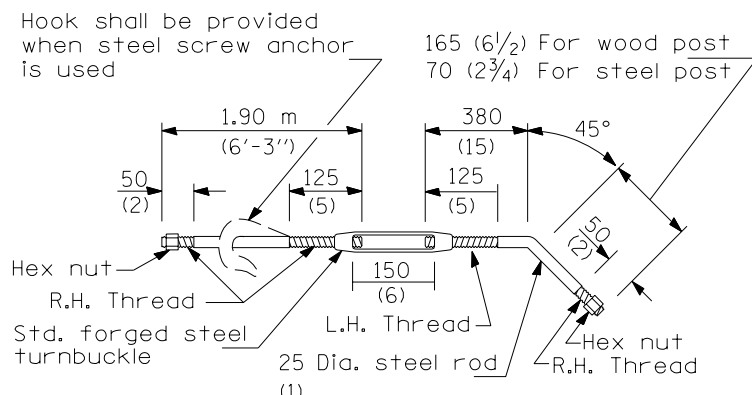
DETAIL N



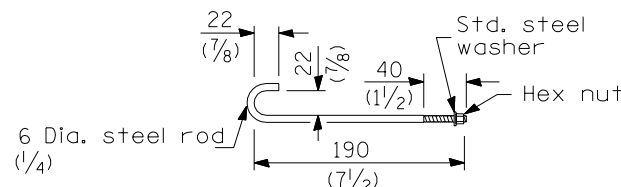
DETAIL P



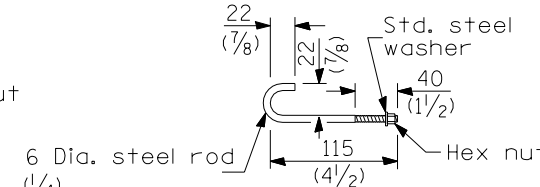
DETAIL R



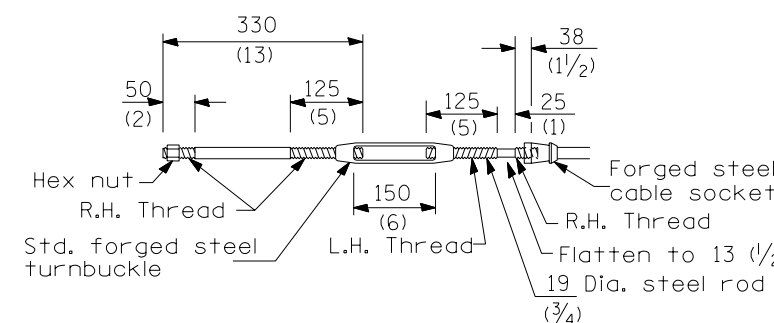
POST ANCHOR



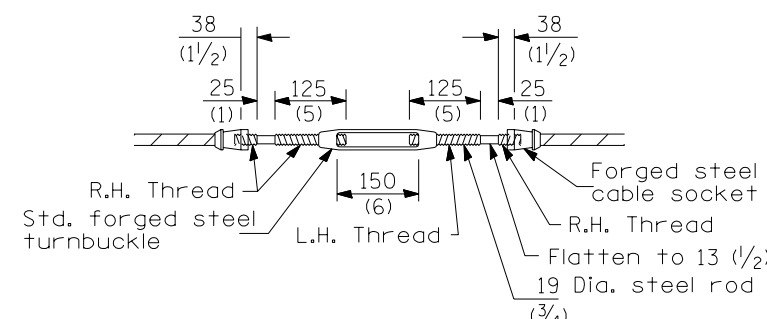
HOOK BOLT F



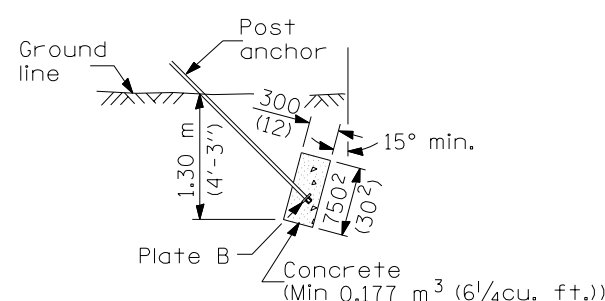
HOOK BOLT G



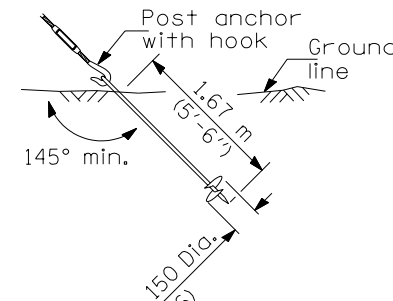
CABLE END



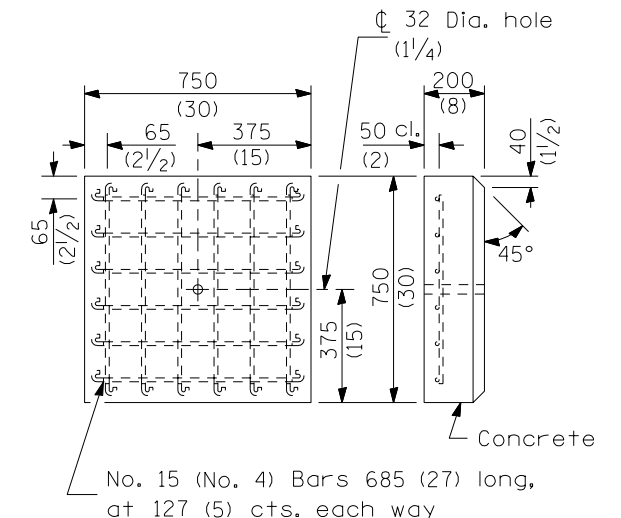
CABLE SPLICE



CAST IN PLACE DEADMAN



STEEL SCREW



PRECAST DEADMAN

ALTERNATE - ANCHORS

All dimensions are in millimeters (inches) unless otherwise shown.

Illinois Department of Transportation
 PASSED January 1, 2005
 Michael Beard
 ENGINEER OF POLICY AND PROCEDURES
 APPROVED January 1, 2005
 Michael S. Hine
 ENGINEER OF DESIGN AND ENVIRONMENT
 ISSUED 1-1-97

CABLE ROAD GUARD
 SINGLE STRAND
 (Sheet 3 of 3)
STANDARD 636001-01