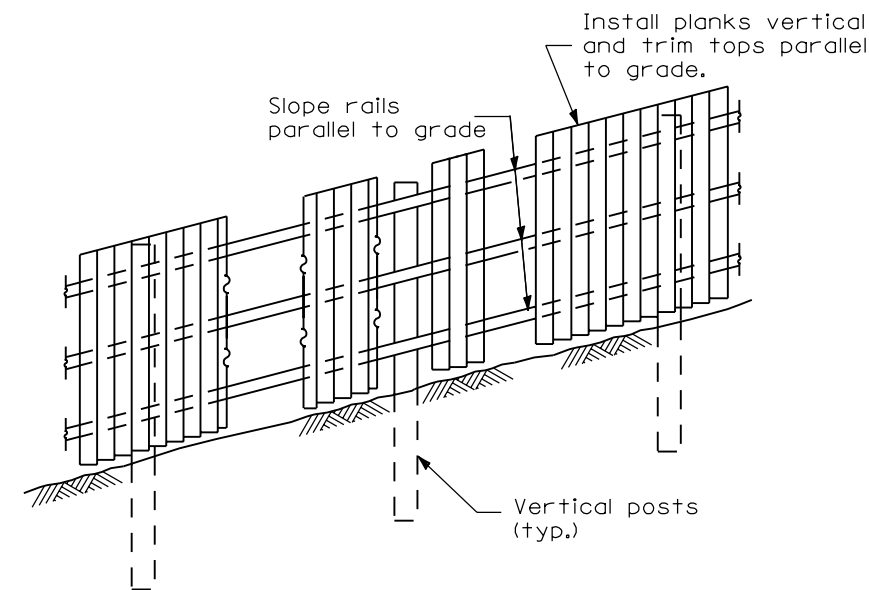
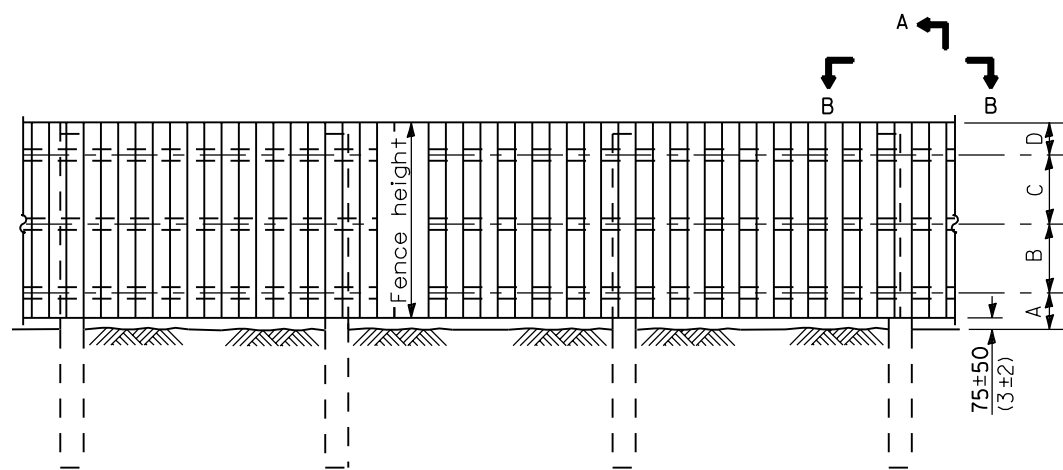


PLAN
(Facing highway)

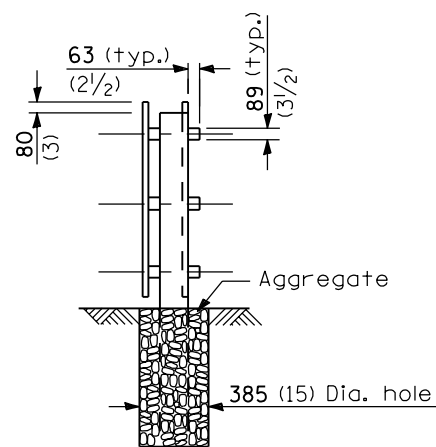
	FENCE HEIGHT	
	1.8 m (6'-0")	2.4 m (8'-0")
Post cross sec.	140x184 (6x8)	184x184 (8x8)
Post length	3.0 m (10'-0")	4.3 m (14'-0")
Post embedment	1.2 m (4'-0")	1.8 m (6'-0")
A	380 (15)	460 (18)
B	600 (24)	870 (33)
C	600 (24)	870 (33)
D	300 (12)	380 (15)



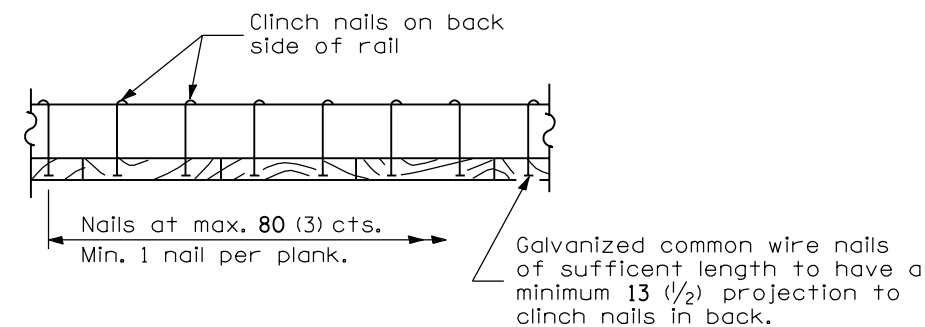
ELEVATION
(Showing treatment with sloping ground)



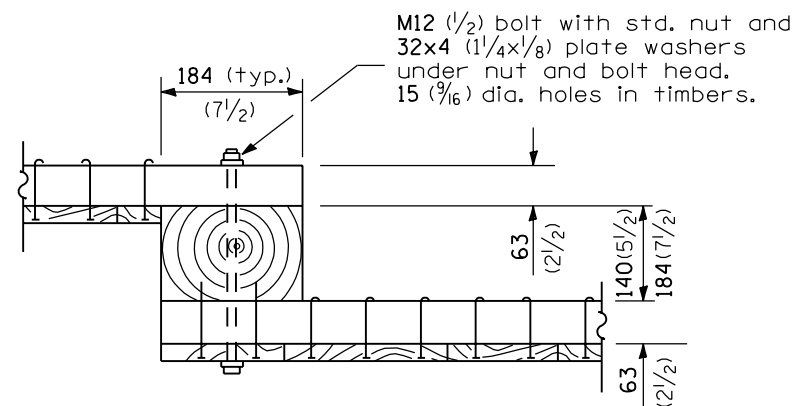
ELEVATION



SEC. A-A



DETAIL A
(Showing typical plank to rail attachment each rail.)



SEC. B-B

(Showing typical panel to post connection details)

GENERAL NOTES

Loading was based on 130 km/h (80 mph) with 30% gust factor. Minimum allowable soil pressure = 120 kPa (1.25 tsf).

Timber sizes given are dry dressed (nominal) sizes.

All dimensions are in millimeters (inches) unless otherwise shown.

DATE	REVISIONS
1-1-97	Renum. Standard 2367-3. Deleted DN Symbol.
11-1-94	Rev. GENERAL NOTES. Added table of dim.

**SIGHT SCREEN
WOOD PLANK FENCE
TYPE P**

STANDARD 641006

Illinois Department of Transportation

APPROVED January 1, 1997
Ralph E. Anderson
ENGINEER OF BRIDGES AND STRUCTURES

APPROVED January 1, 1997
Raymond
ENGINEER OF DESIGN AND ENVIRONMENT

ISSUED 1-1-97