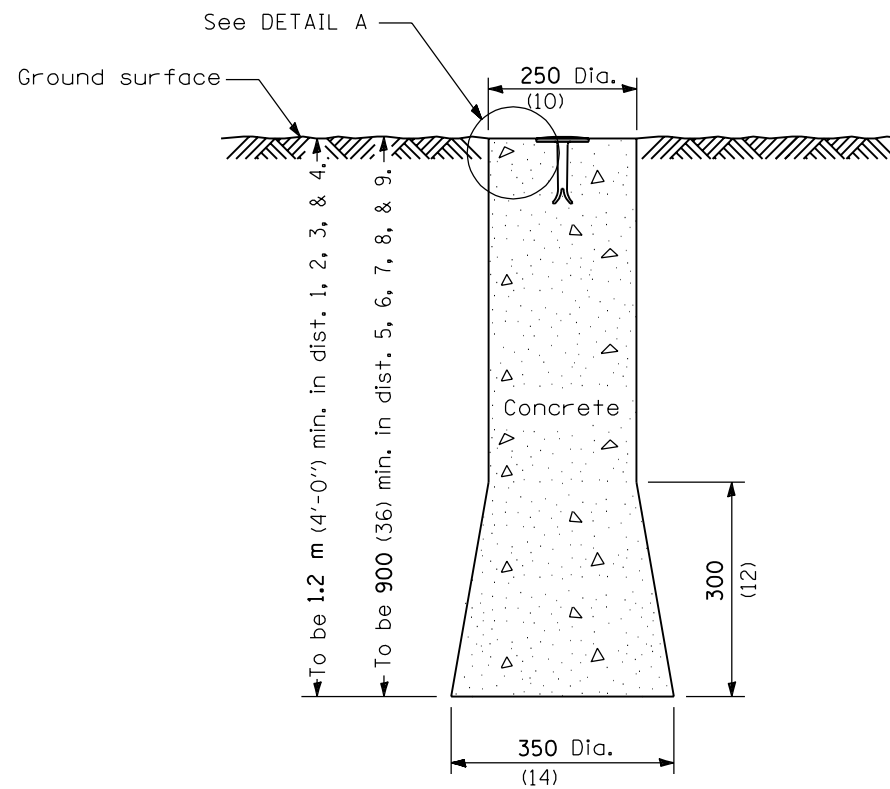


DETAIL A



ELEVATION

All dimensions are in millimeters (inches) unless otherwise shown.

| | |
|---------------------------------------|-----------------------|
| Illinois Department of Transportation | |
| PASSED | January 1, 1997 |
| ENGINEER OF POLICY AND PROCEDURES | <i>Charles G. ...</i> |
| APPROVED | January 1, 1997 |
| ENGINEER OF DESIGN AND ENVIRONMENT | <i>Ray ...</i> |
| ISSUED | 1-1-97 |

| DATE | REVISIONS |
|---------|---|
| 1-1-97 | Renum. Standard 2448. Revised depth. |
| 6-15-94 | New Standard. |

**U.S. GEOLOGICAL SURVEY
AND NATIONAL GEODETIC
SURVEY BENCHMARKS
RESETTING METHOD**

STANDARD 668001