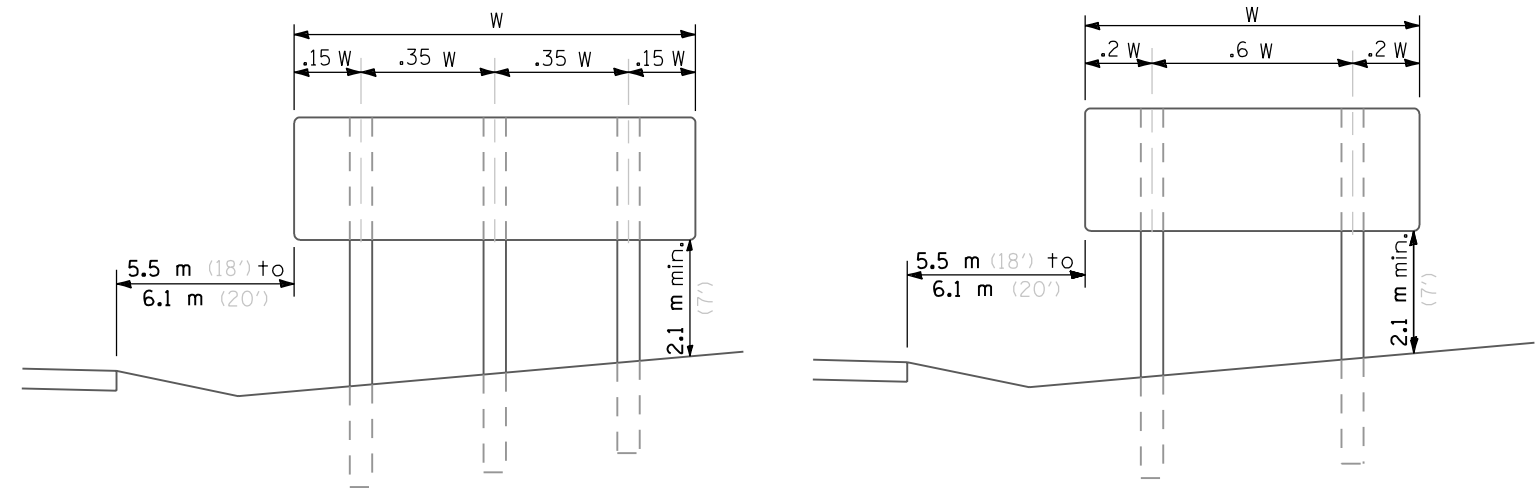
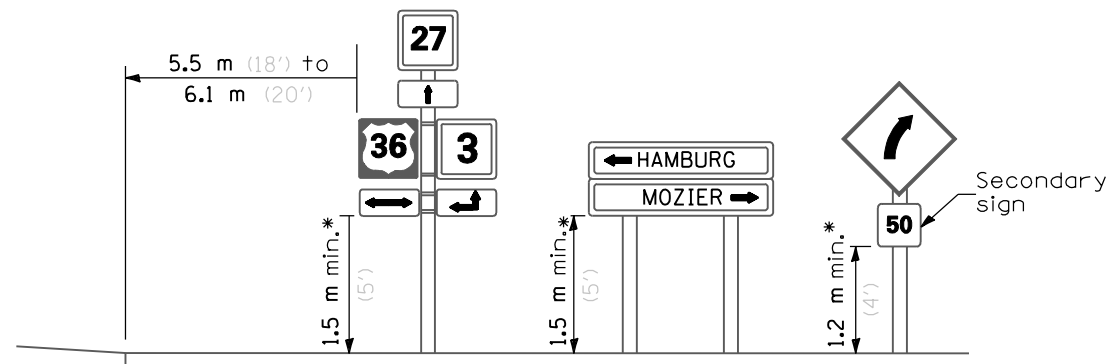


MULTILANE HIGHWAYS

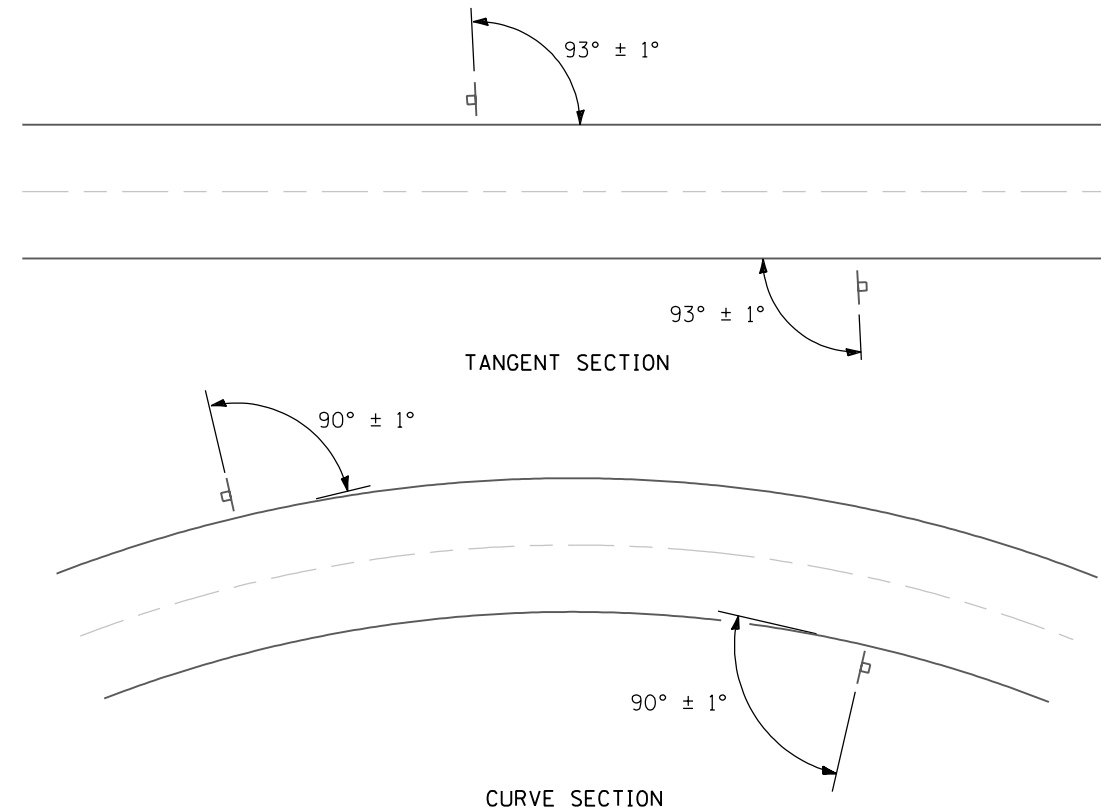


POST SPACING FOR NON-FREEWAY SIGN PANELS

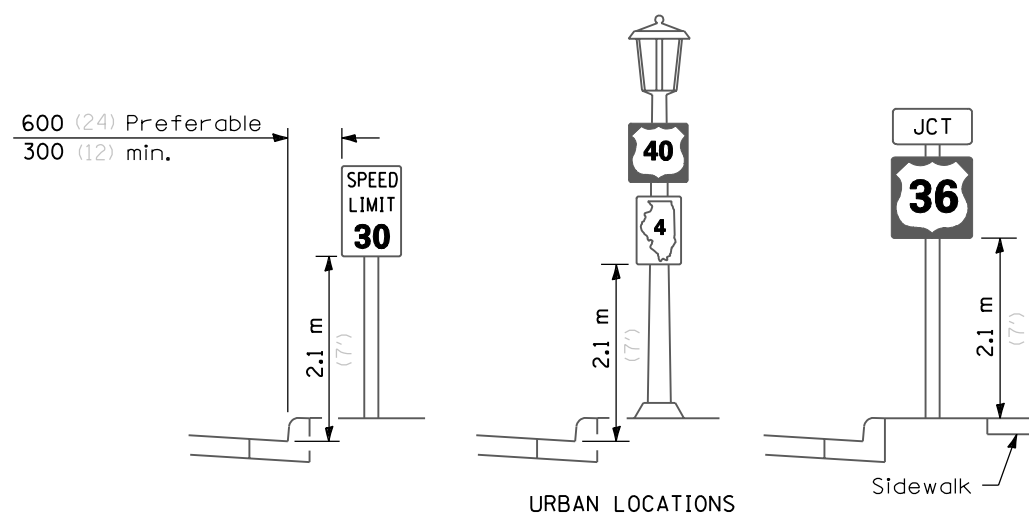


* In any area where parking is likely to occur or where there are obstructions to view or where signs are located over sidewalks, the height shall be at least 2.1 m (7').

TWO LANE RURAL HIGHWAYS



GROUND MOUNT SIGN POSITIONING



TYPICAL INSTALLATIONS

Signs in any area shall be erected to a uniform height above the edge of the pavement.

All dimensions are in millimeters (inches) unless otherwise shown.

Illinois Department of Transportation

APPROVED January 1, 1997
R. W. Jones
 ENGINEER OF OPERATIONS

APPROVED January 1, 1997
Ray Stouff
 ENGINEER OF DESIGN AND ENVIRONMENT

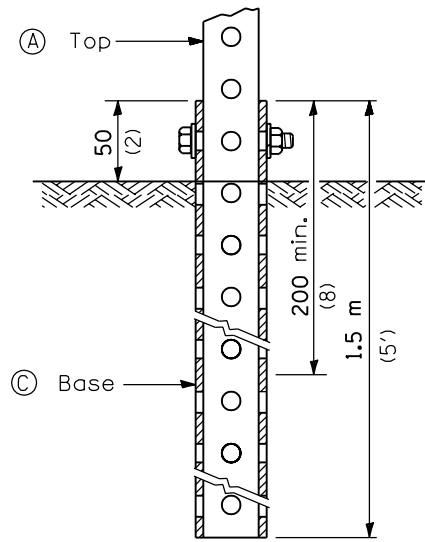
ISSUED 1-1-97

DATE	REVISIONS
1-1-97	Renum. Standard 2320-5.
2-1-95	Rev. angle for ground mounted signs on tangent.

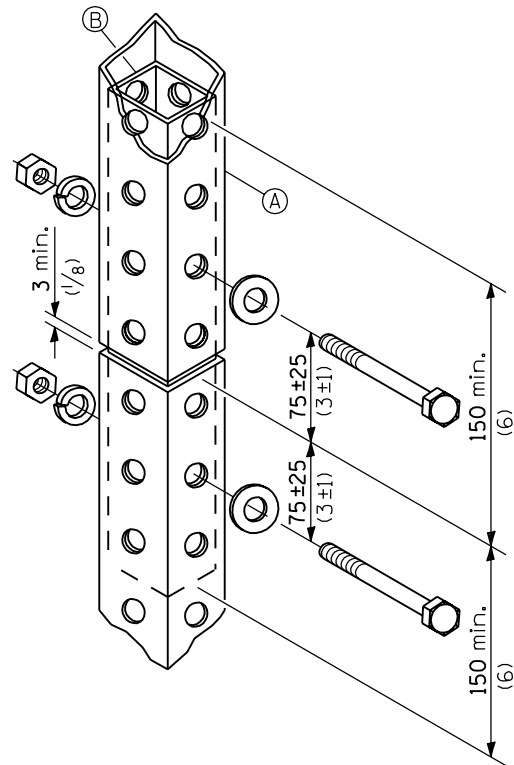
SIGN PANEL ERECTION DETAILS

(Sheet 1 of 2)

STANDARD 720006

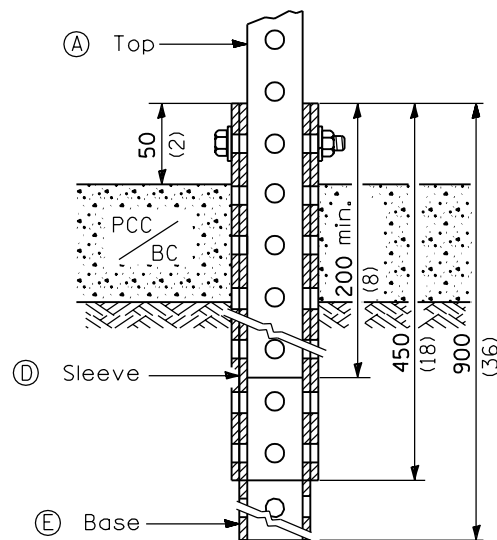


GROUND MOUNT DETAIL



SPLICE DETAIL

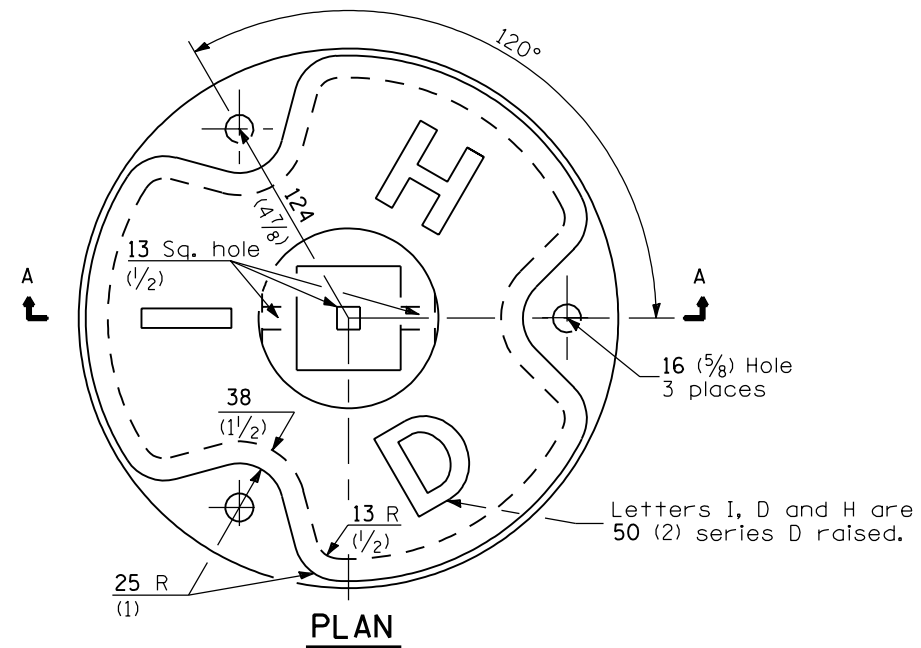
(A)	51 x 51 x var. (2 x 2 x var.)
(B)	44 x 44 x 300 (1 3/4 x 1 3/4 x 12)
(C)	57 x 57 x 1500 (2 1/4 x 2 1/4 x 60)
(D)	64 x 64 x 450 (2 1/2 x 2 1/2 x 18)
(E)	57 x 57 x 900 (2 1/4 x 2 1/4 x 36)



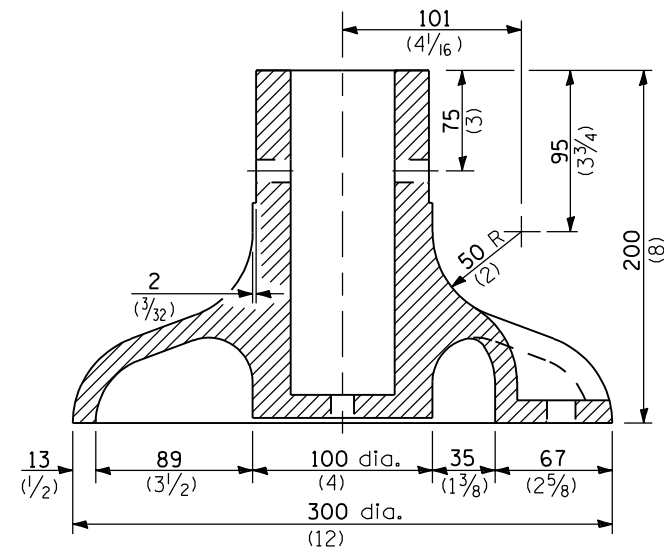
PAVEMENT MOUNT DETAIL

All bolts M10 (3/8") hex head zinc or cadmium plated.

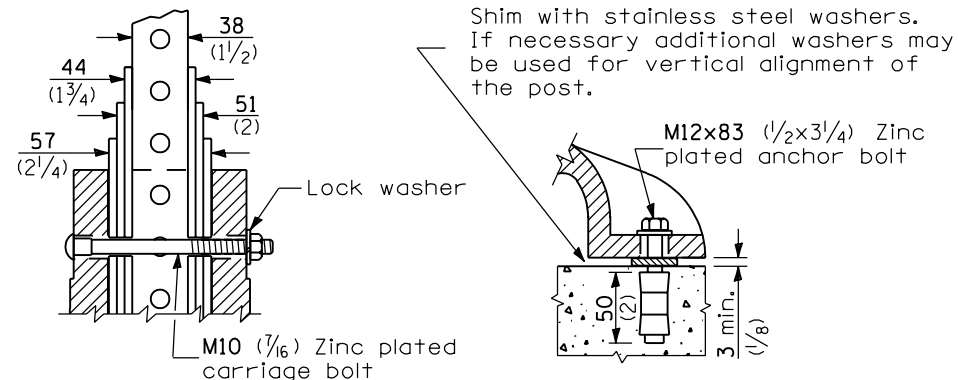
TELESCOPING STEEL POST ASSEMBLY



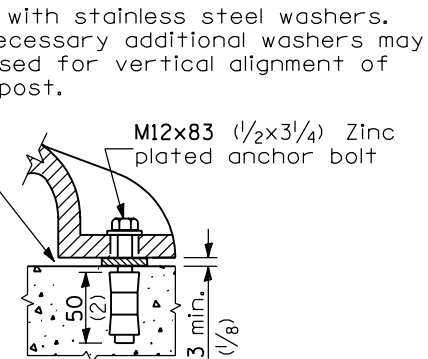
PLAN



SECTION A-A

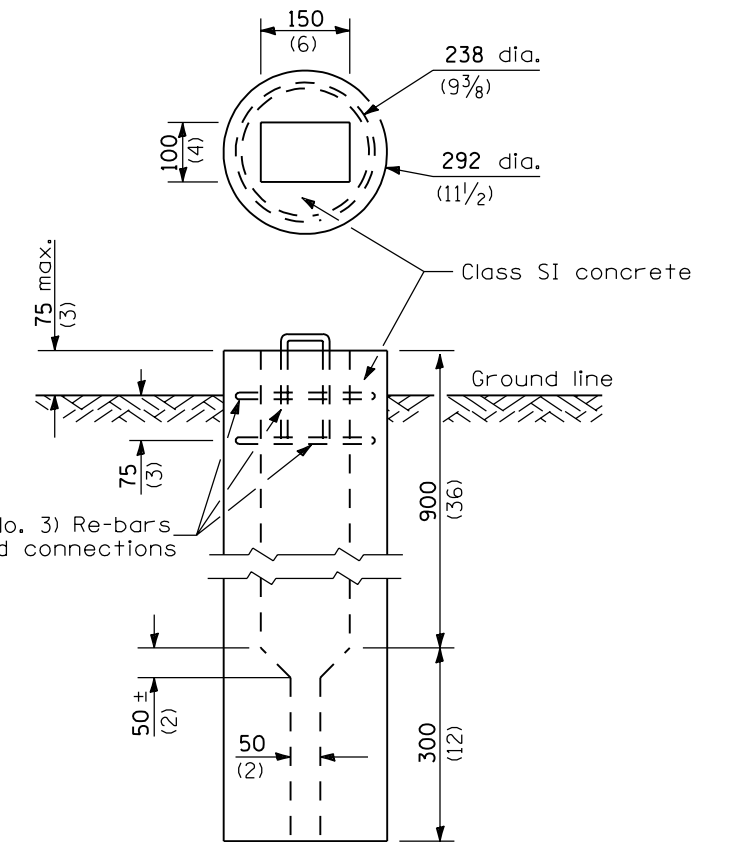


POST ASSEMBLY DETAIL



ANCHOR BOLT DETAIL

CAST IRON BASE FOR TELESCOPING STEEL SIGN POST



CONCRETE FOUNDATION FOR WOOD POSTS

All dimensions are in millimeters (inches) unless otherwise shown.

SIGN PANEL ERECTION DETAILS

(Sheet 2 of 2)

STANDARD 720006