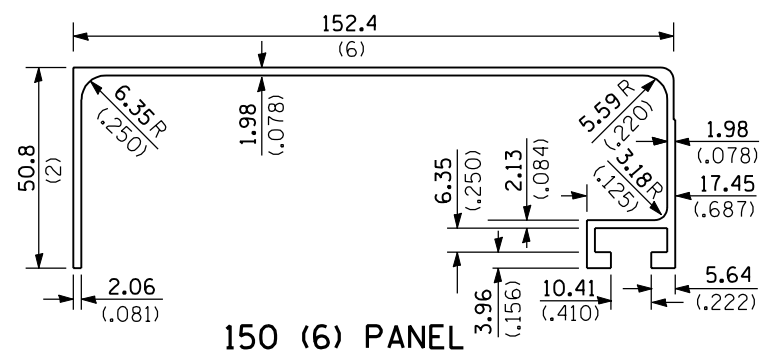
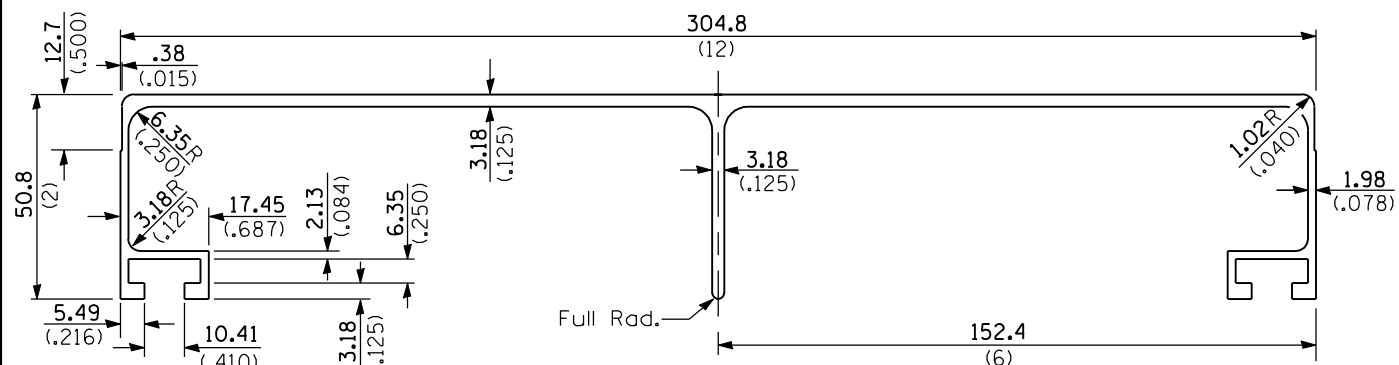


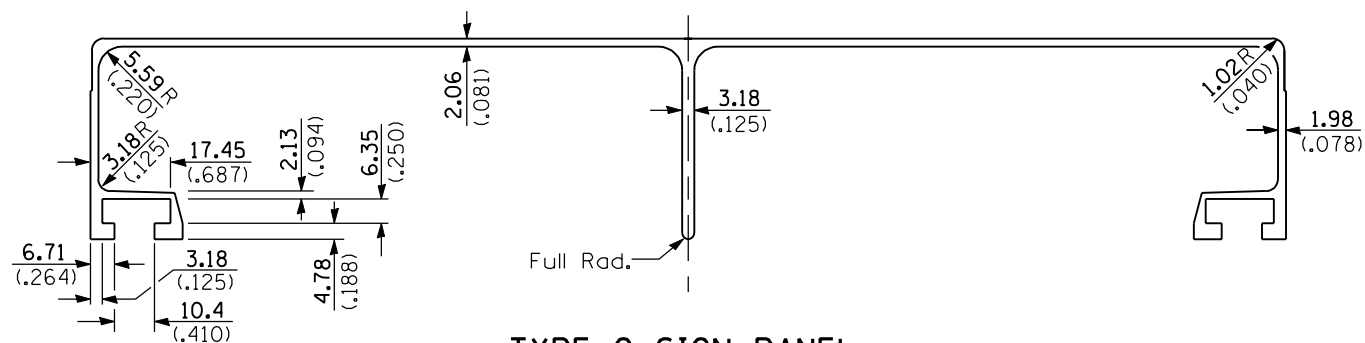
FACE OF SIGN PANEL



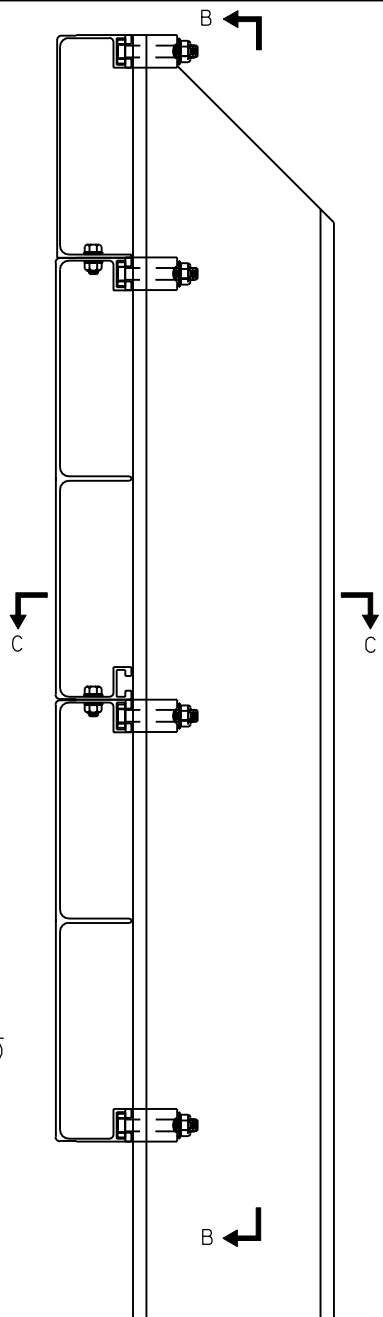
150 (6) PANEL



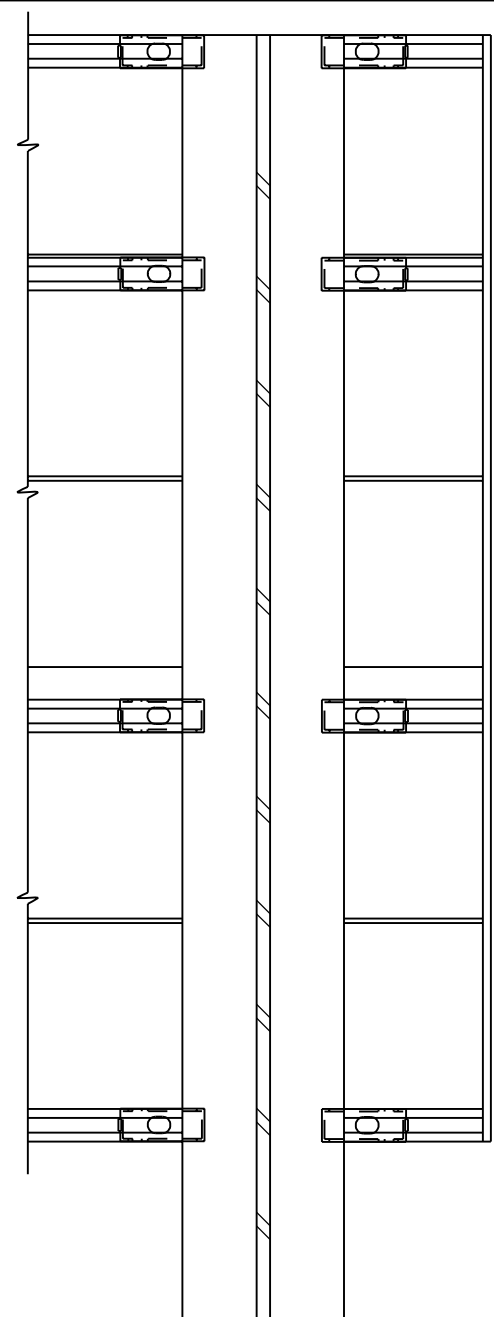
TYPE B SIGN PANEL



TYPE C SIGN PANEL

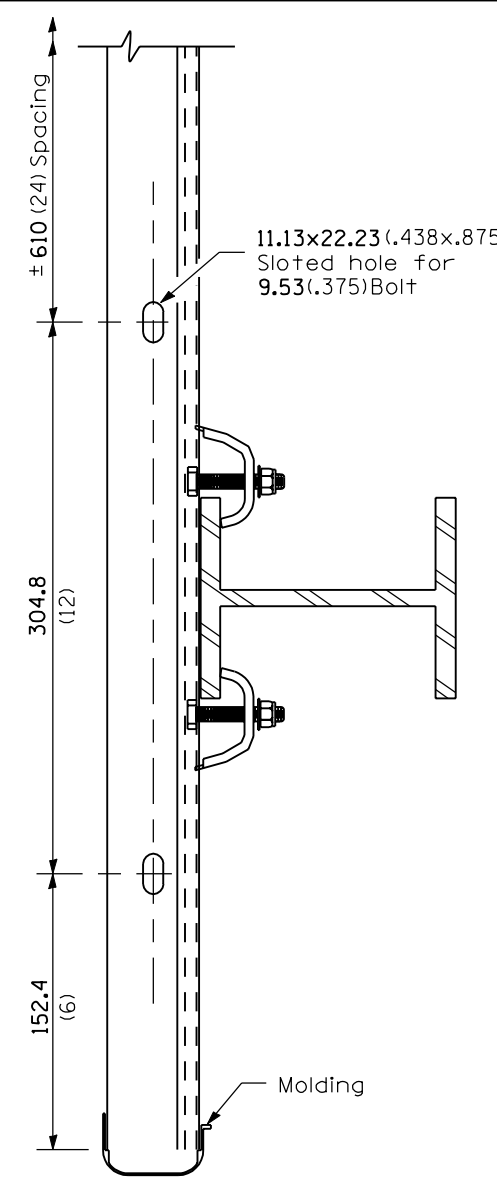


SECTION A-A



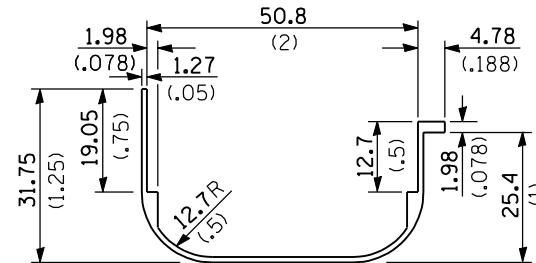
SECTION B-B

(Provide two post clips top and bottom. Alternate at interior panel joints on ground-mounted signs, and provide two clips at all panel joints on over-head mounted signs.)



SECTION C-C

(w/o panel bolts)



SIGN MOLDING

(Color shall match sign facematerial. To be rivited to sign panel at 600 (24) O.C.)

All dimensions are in millimeters (inches) unless otherwise shown.

Illinois Department of Transportation

APPROVED January 1, 2003
 ENGINEER OF OPERATIONS

APPROVED January 1, 2003
 ENGINEER OF DESIGN AND ENVIRONMENT

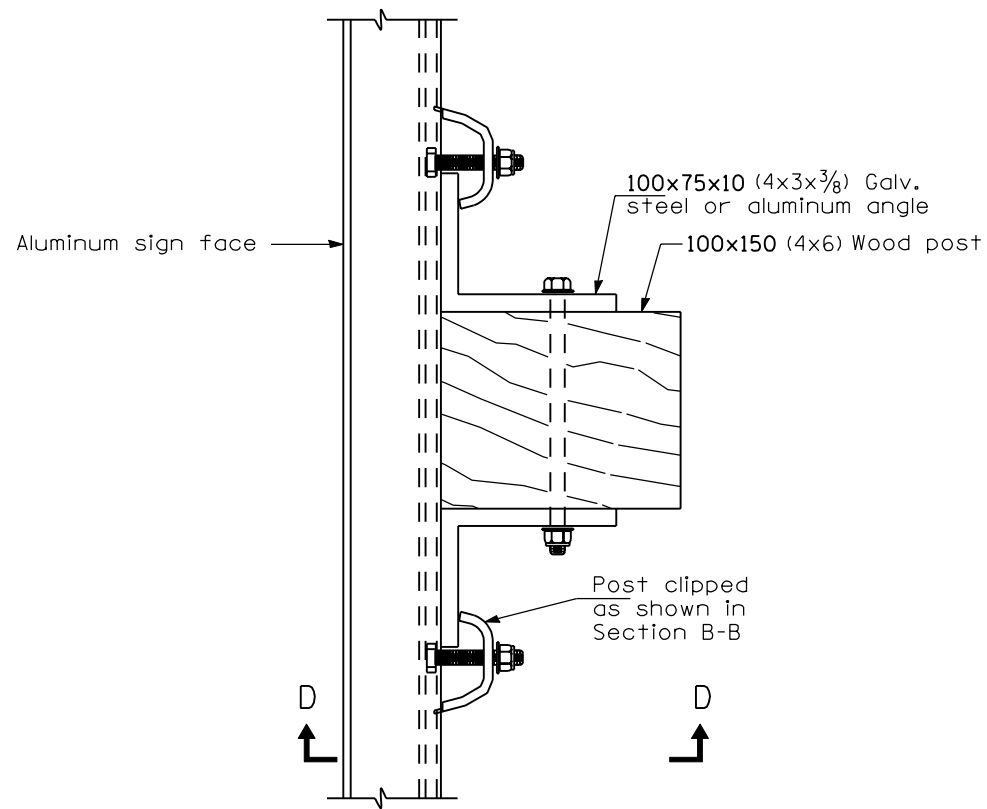
ISSUED 00-1-1-00

DATE	REVISIONS
1-1-03	Revised stainless steel clip design, and minor changes
1-1-00	New Standard

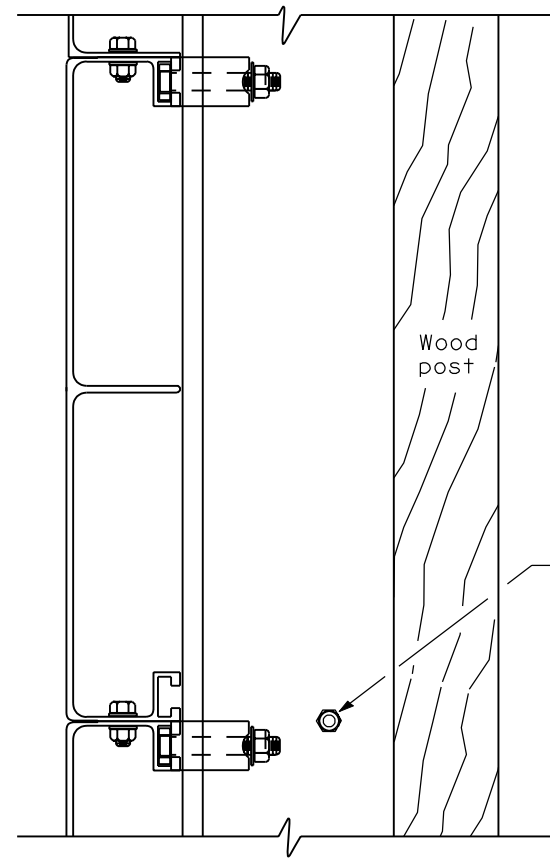
SIGN PANELS
 EXTRUDED ALUMINUM TYPE

(Sheet 1 of 2)

STANDARD 720021-01

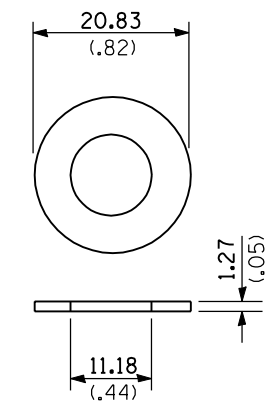
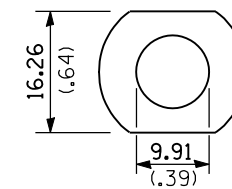
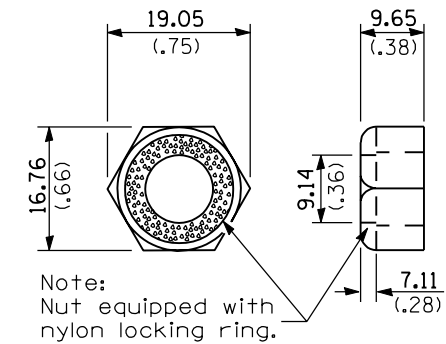
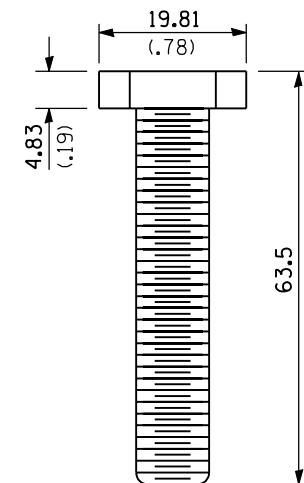


SIGN PANEL ATTACHMENT TO WOOD POST

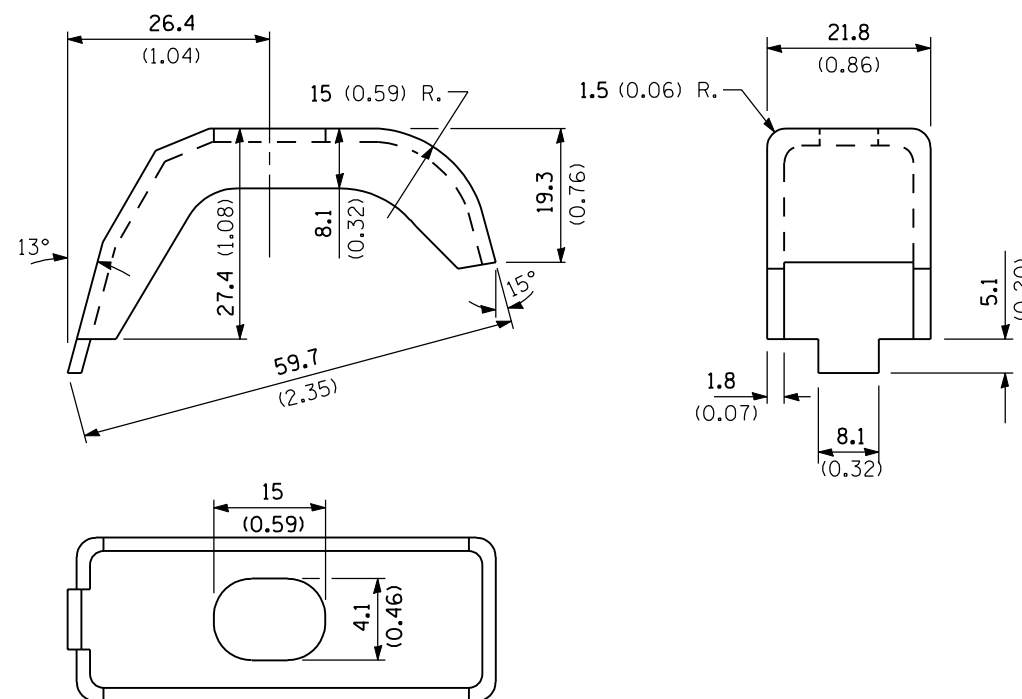


SECTION D-D

M10 (3/8) Bolt with flat washer, lock washer and nut 450 (18) O.C. (min. of 3 bolts to be used)



STAINLESS STEEL CLIP NUT, BOLT AND WASHER ASSEMBLY



STAINLESS STEEL CLIP

Illinois Department of Transportation
 APPROVED January 1, 2003
 ENGINEER OF OPERATIONS
 APPROVED January 1, 2003
 ENGINEER OF DESIGN AND ENVIRONMENT

ISSUED 1-1-00

**SIGN PANELS
 EXTRUDED ALUMINUM TYPE**
 (Sheet 2 of 2)
STANDARD 720021-01