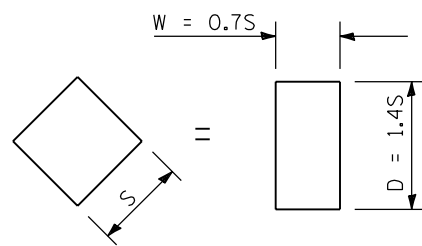


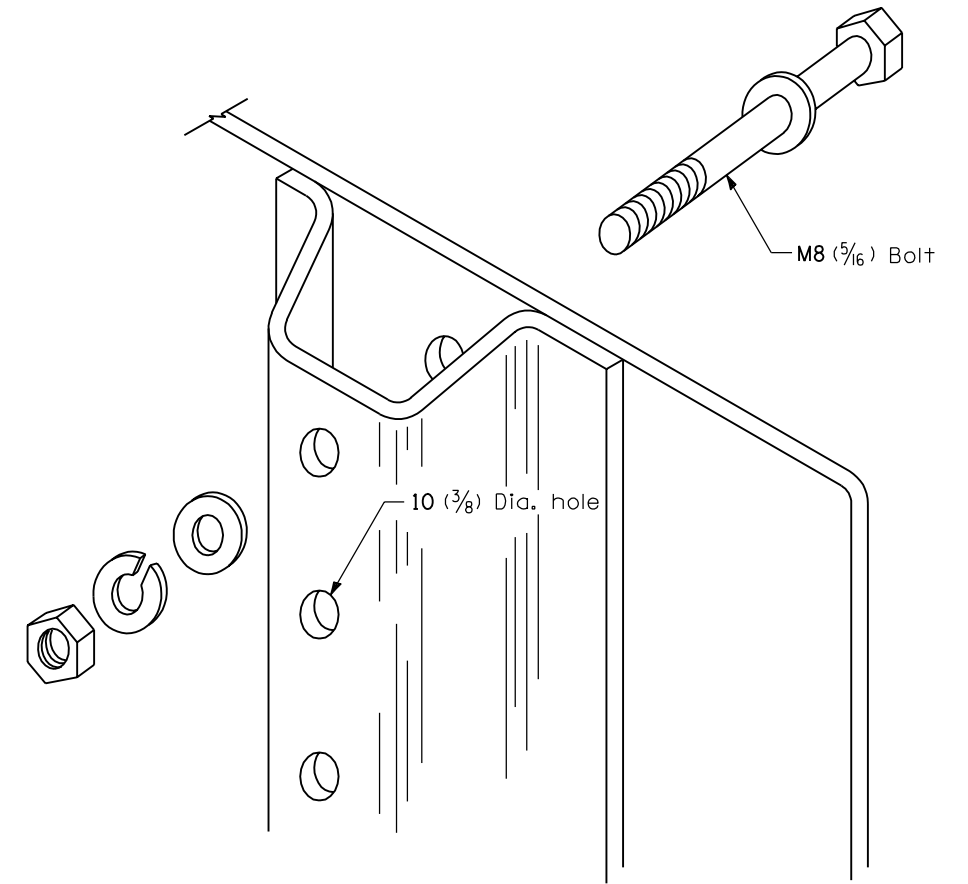
ONE POST INSTALLATION

TWO POST INSTALLATION



For diamond shaped sign with side S as shown, use required post size for a sign with $W = 0.7S$ and $D = 1.4S$.

SIGN DEPTH (D)	H	NO. AND TYPE OF POST FOR SIGN WIDTH (W)				
		300 (12)	450 (18)	600 (24)	750 (30)	900 (36)
450 (18)	1.5 m (5'-0")	A	A	A	A	A
	1.7 m (5'-6")	A	A	A	A	A
	1.8 m (6'-0")	A	A	A	A	B
	2.0 m (6'-6")	A	A	A	A	B
	2.1 m (7'-0")	A	A	A	A	B
	2.3 m (7'-6")	A	A	A	A	B
	2.4 m (8'-0")	A	A	A	A	B
600 (24)	2.6 m (8'-6")	A	A	A	B	B
	2.7 m (9'-0")	A	A	A	B	B
	1.5 m (5'-0")	A	A	A	A	B
	1.7 m (5'-6")	A	A	A	A	B
	1.8 m (6'-0")	A	A	A	B	B
	2.0 m (6'-6")	A	A	A	B	B
	2.1 m (7'-0")	A	A	A	B	B
750 (30)	2.3 m (7'-6")	A	A	A	B	B
	2.4 m (8'-0")	A	A	A	B	B
	2.6 m (8'-6")	A	A	B	B	2A
	2.7 m (9'-0")	A	A	B	B	2A
	1.5 m (5'-0")	A	A	A	B	B
	1.6 m (5'-6")	A	A	A	B	2A
	1.8 m (6'-0")	A	A	A	B	2A
900 (36)	2.0 m (6'-6")	A	A	A	B	2A
	2.1 m (7'-0")	A	A	B	B	2A
	2.3 m (7'-6")	A	A	B	B	2A
	2.4 m (8'-0")	A	B	B	2A	2A
	2.6 m (8'-6")	A	B	B	2A	2B
	2.7 m (9'-0")	A	B	2A	2A	2B
	1.2 m (4'-0")	1.5 m (5'-0")	A	A	B	2A
1.7 m (5'-6")		A	B	B	2A	2A
1.8 m (6'-0")		A	B	B	2A	2A
2.0 m (6'-6")		A	B	2A	2A	2B
2.1 m (7'-0")		A	B	2A	2A	2B
2.3 m (7'-6")		A	B	2A	2B	2B
2.4 m (8'-0")		A	B	2A	2B	2B
1.2 m (4'-0")	2.6 m (8'-6")	B	B	2B	2B	2B
	2.7 m (9'-0")	B	2A	2B	2B	2B



DETAIL OF MOUNTING SIGN TO POST

NOTE: Minimum of 2 bolts per post required.

GENERAL NOTES

DESIGN: Current AASHTO Standard Specifications for Structural Supports for Highway Signs, Luminaires and Traffic Signals.

LOADING: for 95 km/h (60 mph) wind velocity with 30% gust factor, normal to sign.

SOIL PRESSURE: Minimum allowable soil pressure 120 kPa (1.25 tsf).

See Standard 720011 for details of Types A and B posts.

All dimensions are in millimeters (inches) unless otherwise shown.

DATE	REVISIONS
1-1-97	Renum. Standard 2363-2.
6-15-94	Moved G.N. to Specs Added Metric

APPLICATIONS OF TYPES A & B METAL POSTS (FOR SIGNS & MARKERS)

STANDARD 729001

Illinois Department of Transportation

PASSED January 1, 1997

ENGINEER OF POLICY AND PROCEDURES

APPROVED January 1, 1997

ENGINEER OF DESIGN AND ENVIRONMENT

ISSUED 1-1-97