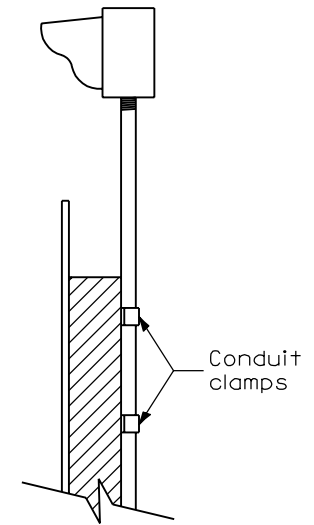
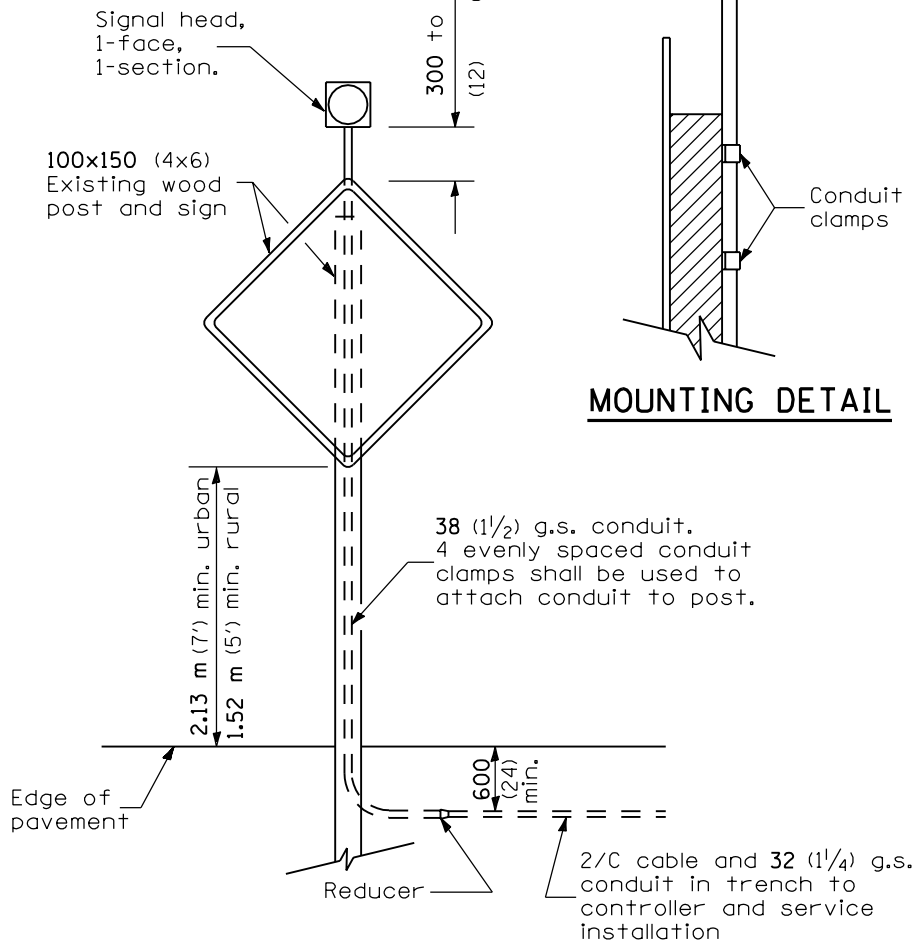


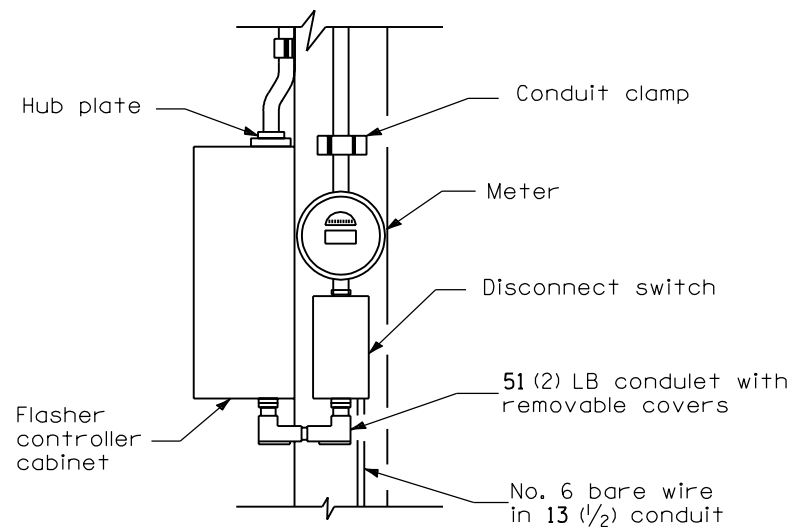
SPAN WIRE MOUNTED SIGNALS AND FLASHING BEACON



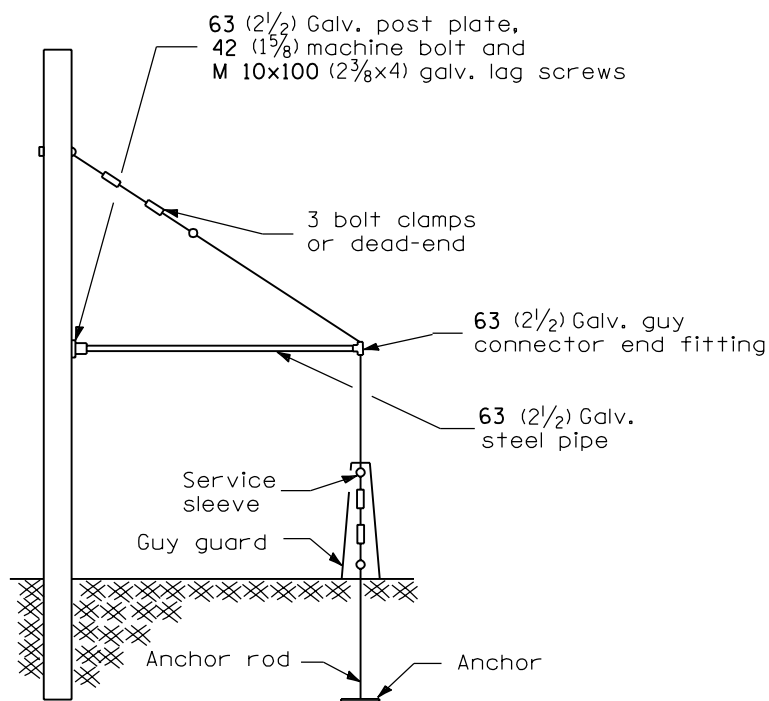
MOUNTING DETAIL



POST MOUNTED FLASHING BEACON



CONTROL POLE DETAIL



SIDEWALK GUY DETAIL

All dimensions are in millimeters (inches) unless otherwise shown.

DATE	REVISIONS
1-1-02	Renum. Standard 840001.
1-1-97	Renum. Standard 2372-1.

SPAN WIRE MOUNTED SIGNALS AND FLASHING BEACON INSTALLATION

STANDARD 880001

Illinois Department of Transportation

APPROVED January 1, 2002
[Signature]
 ENGINEER OF OPERATIONS

APPROVED January 1, 2002
[Signature]
 ENGINEER OF DESIGN AND ENVIRONMENT

ISSUED 1-1-02