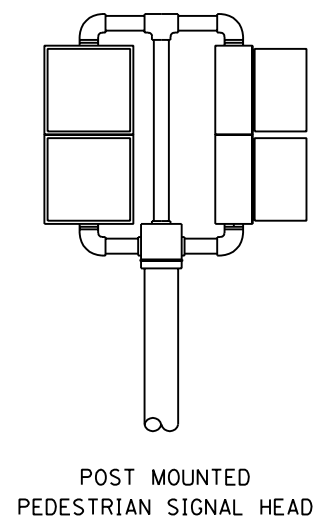
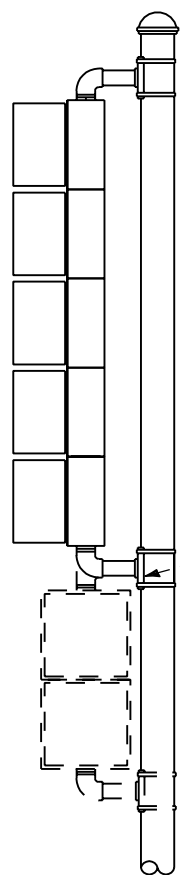


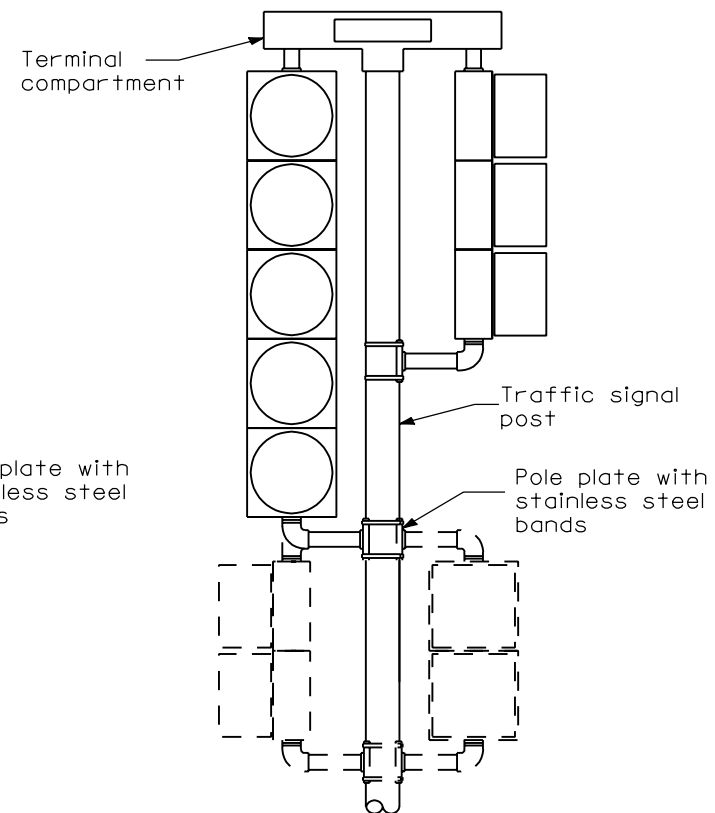
ONE WAY



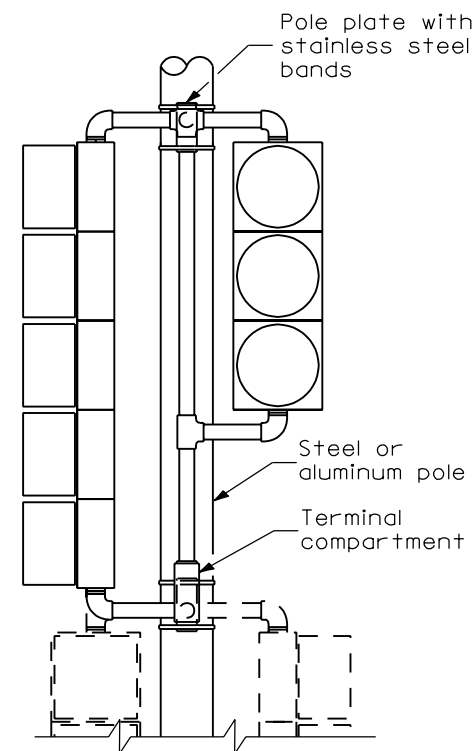
TWO WAY



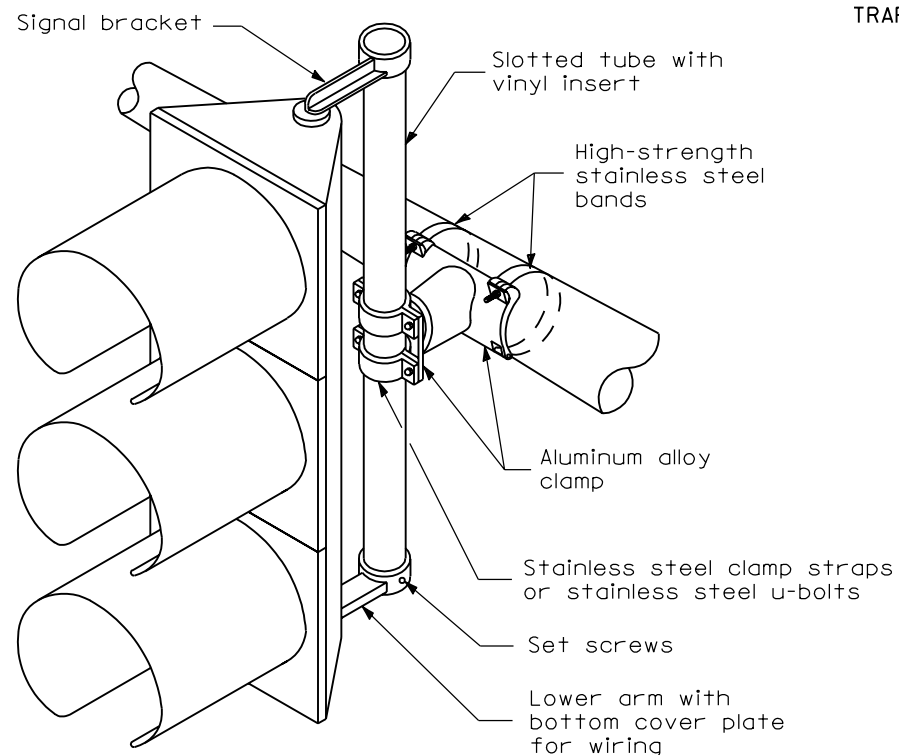
ONE WAY



TWO WAY



TWO WAY



STEEL MAST ARM MOUNTING

All dimensions are in millimeters (inches) unless otherwise shown.

Illinois Department of Transportation		ISSUED 1-1-02
APPROVED	January 1, 2002	
ENGINEER OF OPERATIONS	January 1, 2002	
APPROVED	January 1, 2002	
ENGINEER OF DESIGN AND ENVIRONMENT		

DATE	REVISIONS
1-1-02	Renum. Standard 840006.
1-1-98	Renum. Standard 839001.

TRAFFIC SIGNAL MOUNTING DETAILS

STANDARD 880006