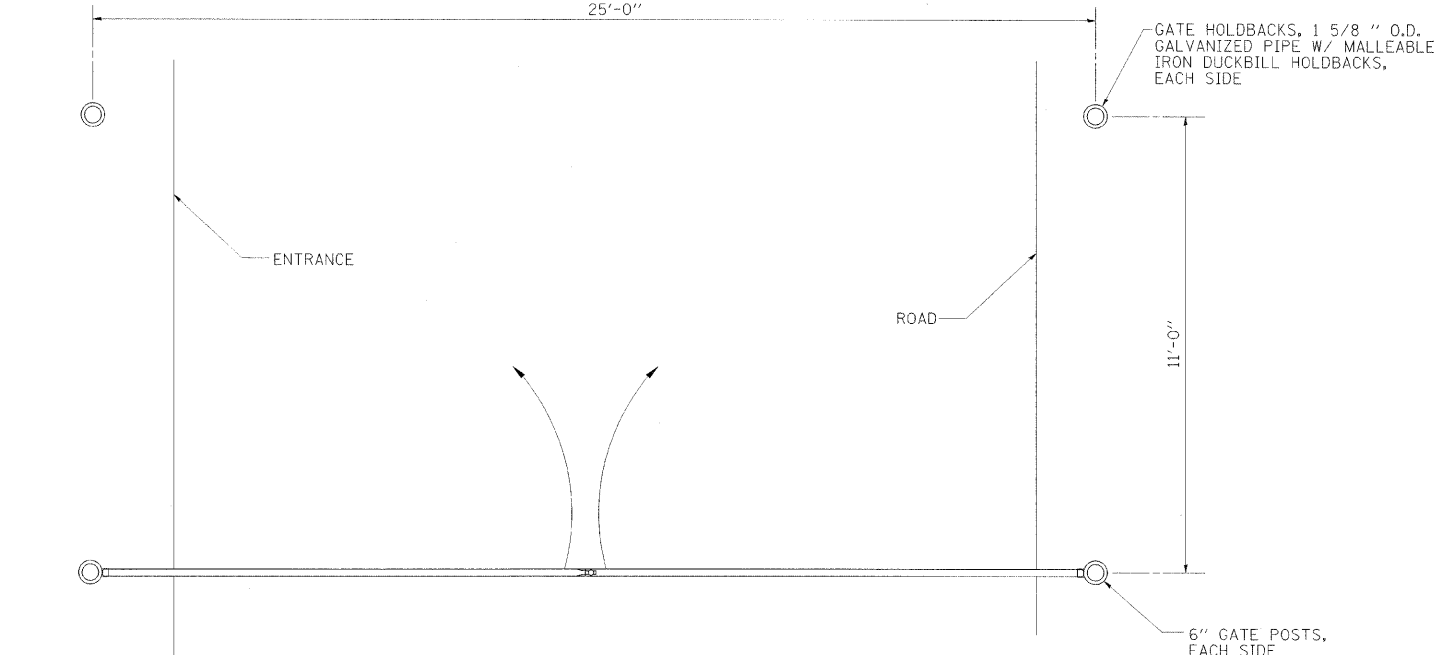
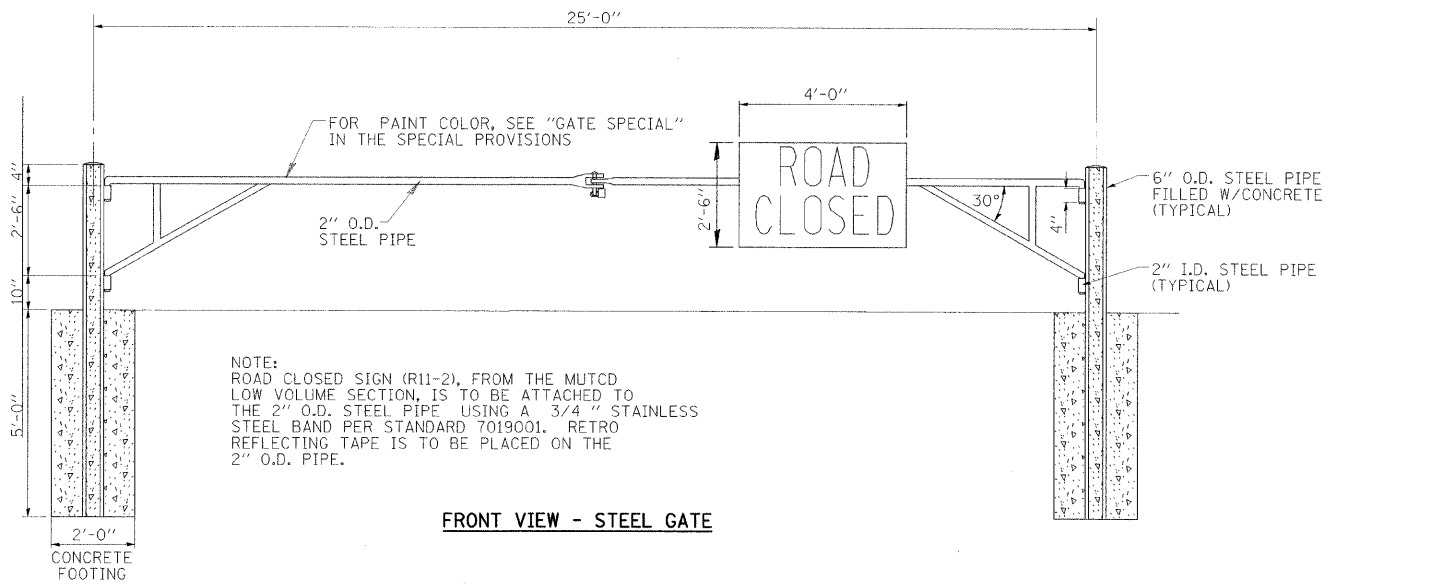
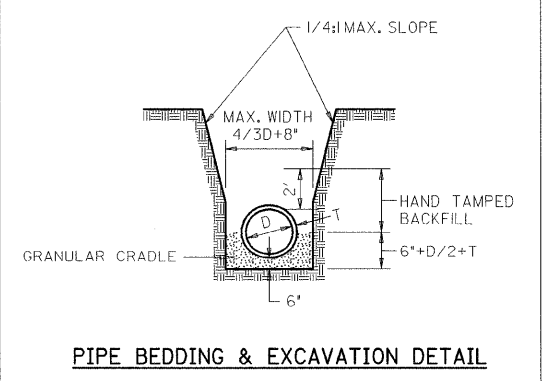
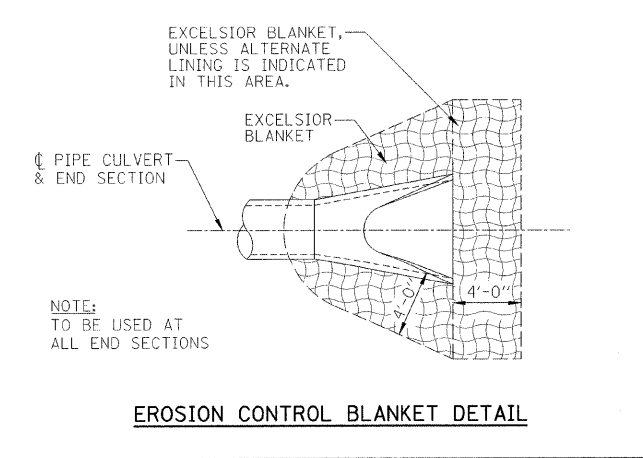
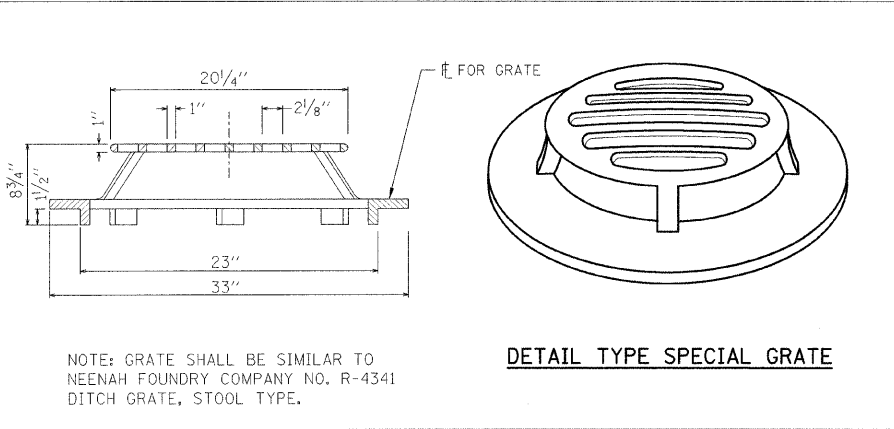
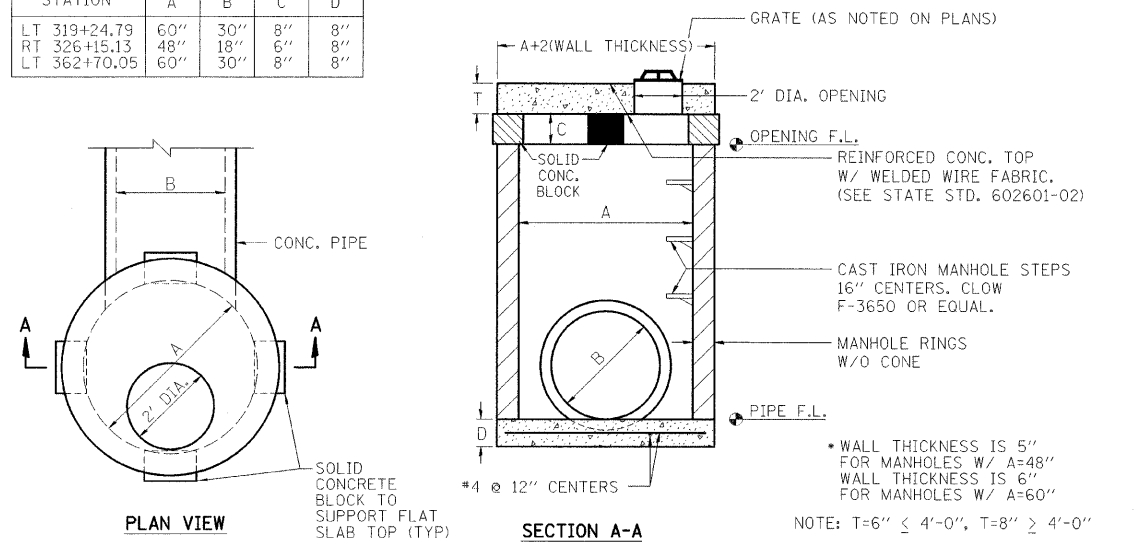
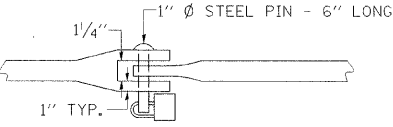


STATION	A	B	C	D
LT 319+24.79	60"	30"	8"	8"
RT 326+15.13	48"	18"	6"	8"
LT 362+70.05	60"	30"	8"	8"

MANHOLE, SPECIAL DETAILS



METAL GATE
NO SCALE



CATCH DETAIL
NO SCALE

NOTE: LOCATION OF GATE SPECIAL ON THE ACCESS ROAD FROM IL RTE 84, WILL BE DETERMINED BY THE PARK SUPERINTENDENT

DESIGNED - LAW	REVISED -
DRAWN - DRR	REVISED -
CHECKED - PJM	REVISED -
DATE - 01/27/10	REVISED -

STATE OF ILLINOIS
DEPARTMENT OF TRANSPORTATION
DIVISION OF HIGHWAYS

DRAINAGE STRUCTURES & MISCELLANEOUS DETAILS

SCALE: SHEET NO. 16 OF 35 SHEETS STA. TO STA.

IDOT/IDNR STATEWIDE
MISSISSIPPI PALISADES STATE PARK
PINE KNOB ROAD

F.A.	SECTION	COUNTY	TOTAL SHEETS	SHEET NO.
	PINE KNOB ROAD	CARROLL	35	16
CONTRACT NO. 46093				
FED. ROAD DIST. NO.	ILLINOIS FED. AID PROJECT			