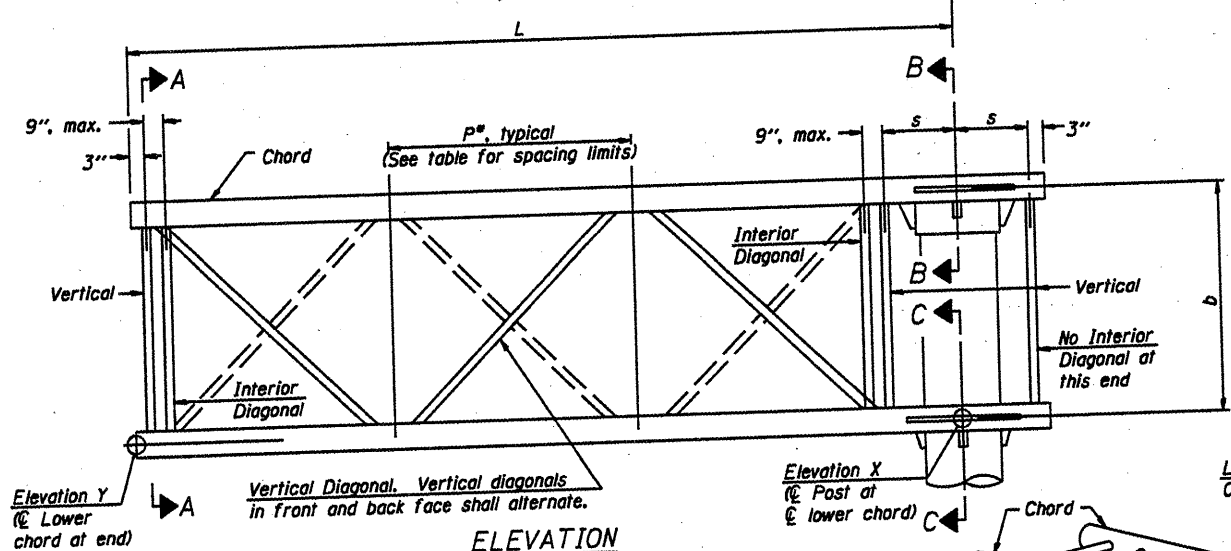
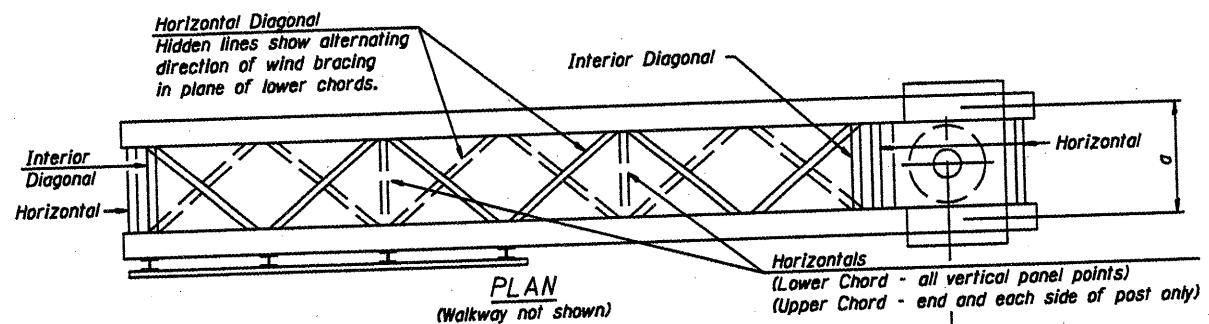
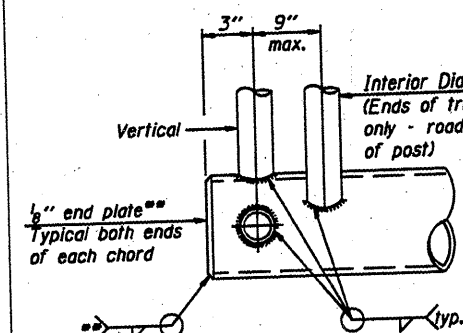
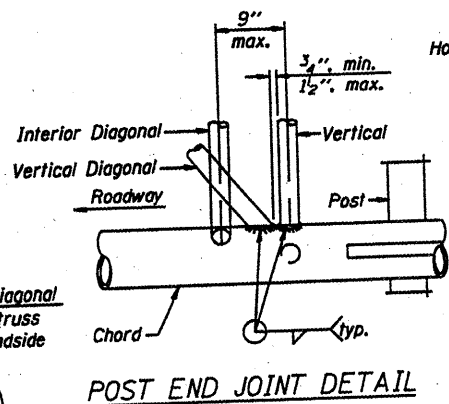


STATE OF ILLINOIS
DEPARTMENT OF TRANSPORTATION

Various Routes
D 4 OVD SIN STR REPL 2010-31
Various Counties
Sheet 15 of 30
Contract Number 46095



Note:
There are twice as many horizontal diagonals as there are vertical diagonals.



Contractor may alternatively use standard aluminum drive-fit cap to close ends.

DESIGNED	20
CHECKED	ENGINEER OF BRIDGE DESIGN
DRAWN	PASSED
CHECKED	ENGINEER OF BRIDGES AND STRUCTURES

OSC-A-2 5/16/08

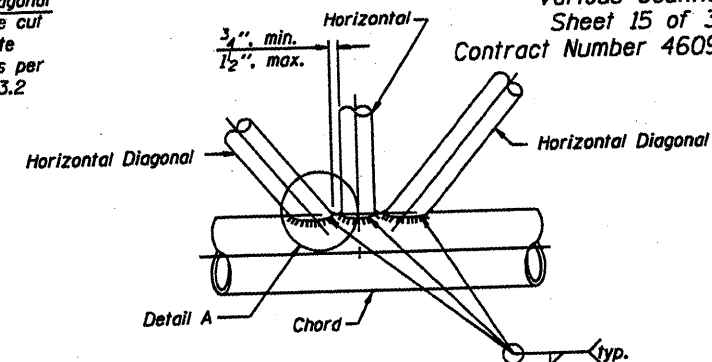
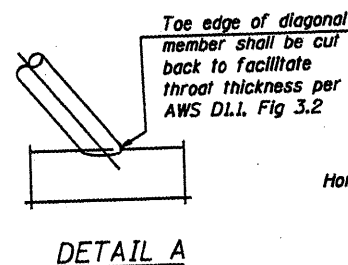
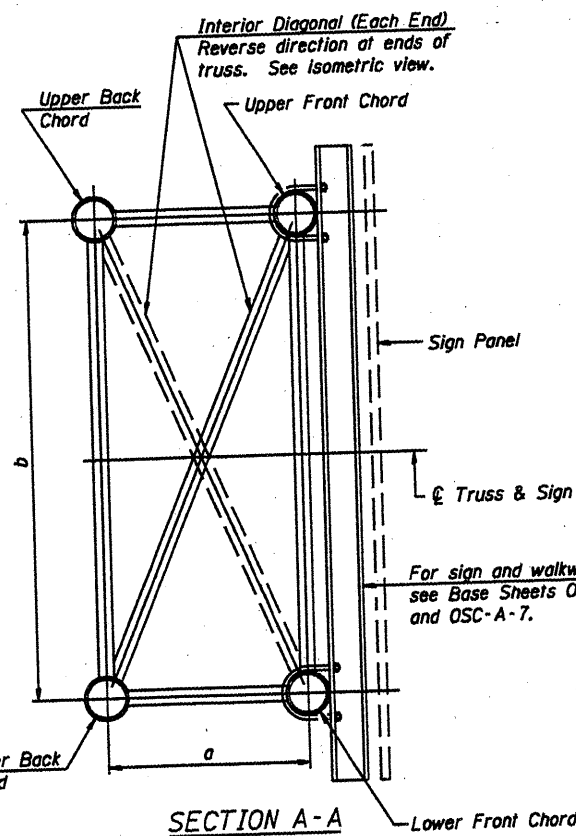
SHOP CAMBER TABLE

Unit Length (L)	Shop Camber at End
15'	1 1/2"
16'-17'	1 3/4"
18'-20'	2"
21'-22'	2 1/4"
23'-25'	2 1/2"
26'-27'	2 3/4"
28'-30'	3"
31'-32'	3 1/4"
33'-35'	3 1/2"
36'-37'	4"
38'-40'	4 1/2"

CAMBER DIAGRAM
(For Fabrication Only)

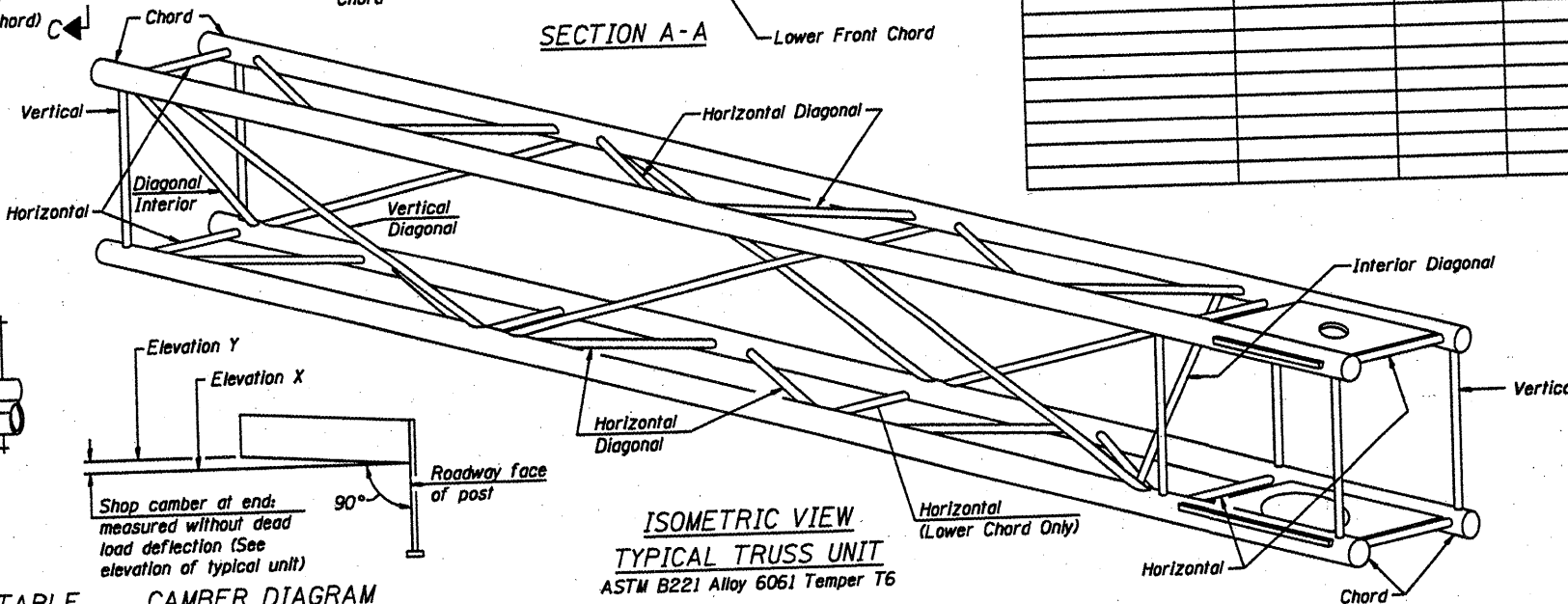
Truss Type	Dimension "a"	Dimension "b"	Dimension "s"	Limits for Panel Spacing (P)*	Verticals, Horizontals, Vertical, Horizontal, and Interior Diagonals		
					Up. & Low. Chord O.D. Wall	Verticals, Horizontals, and Interior Diagonals O.D.	Vertical Wall
I-C-A	24"	54"	16"	36" min. to 48" max.	5" 5/16"	2 1/2"	5/16"
II-C-A	36"	66"	21"	42" min. to 54" max.	6 1/2" 5/16"	3 1/4"	5/16"
III-C-A (35' Max.)	36"	84"	21"	48" min. to 66" max.	7" 3/8"	3 1/2"	3/8"
III-C-A (>35' to 40')	36"	84"	21"	48" min. to 66" max.	8" 3/8"	3 1/2"	3/8"

*P = L-s-3"
* Panels



NUMBER	REVISION	DATE

Structure Number	Station	Truss Type	Design Length (L)	Number of Panels Per Unit	Panel Length (P)*
4C0481074L04B.0	RT 345+10	II-C-A	30'-0"	7	4' - 0"
4C048U034R007.9	RT 631+00	II-C-A	30'-0"	7	4' - 0"



TRUSS UNIT TABLE

CANTILEVER SIGN STRUCTURES
TRUSS DETAILS
ALUMINUM TRUSS & STEEL POST

District 4
Sign Structure Replacement