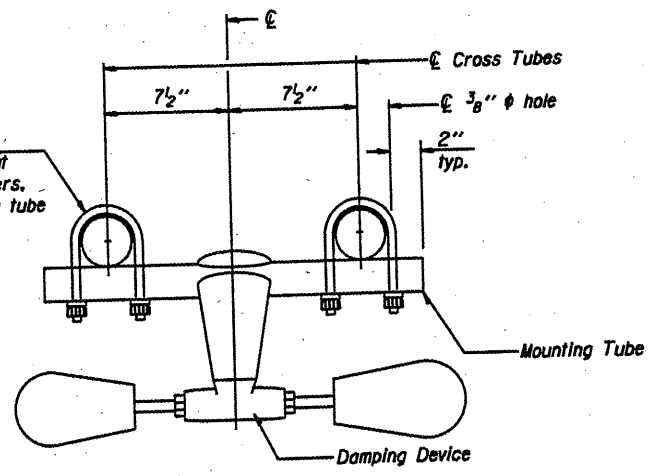
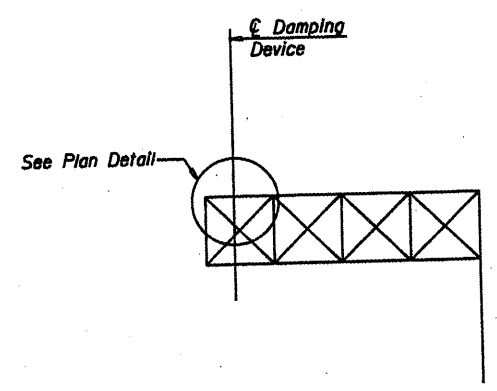


PLAN DETAIL



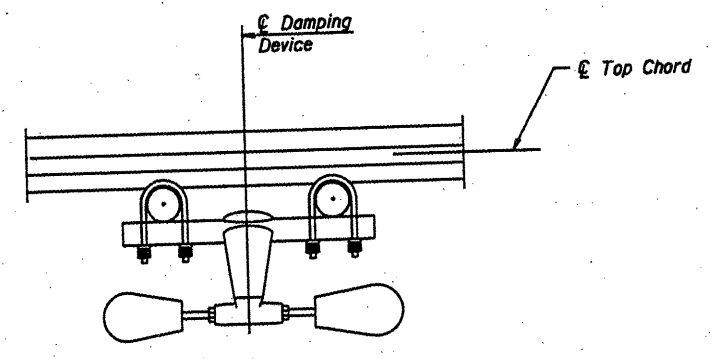
TRUSS DAMPING
DEVICE CONNECTION DETAIL



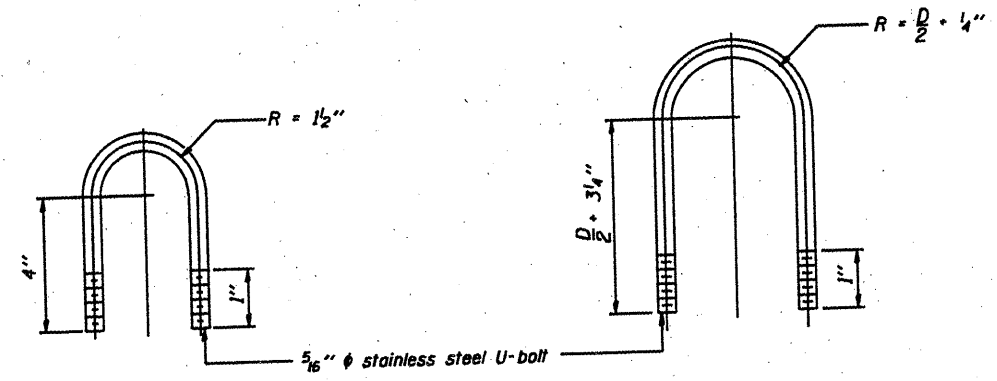
ELEVATION
Aluminum Cantilever
Sign Structure

GENERAL NOTES

- Damper: One damper per truss. (31 lbs. Stackbridge-Type Aluminum)
- Materials: Aluminum tubes shall be ASTM B221 alloy 6061 temper T6



SECTION A-A



DAMPING DEVICE MOUNTING
TUBE U-BOLT DETAIL
(Typical)

TOP CHORD TO CROSS TUBE
U-BOLT DETAIL
(Typical)

CANTILEVER SIGN STRUCTURE
DAMPING DEVICE

District 4
Sign Structure Replacement

DESIGNED -	20
CHECKED -	EXAMINED
DRAWN -	PASSED
CHECKED -	ENGINEER OF BRIDGES AND STRUCTURES

OSC-A-D 5/16/08