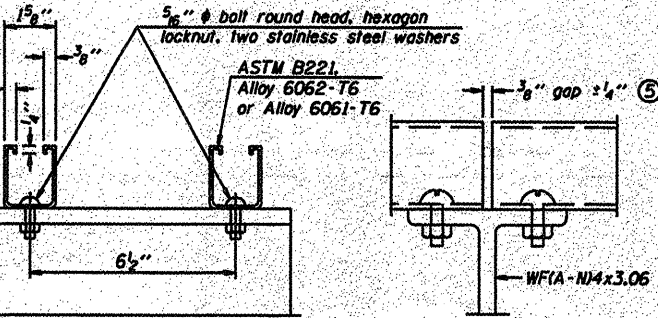
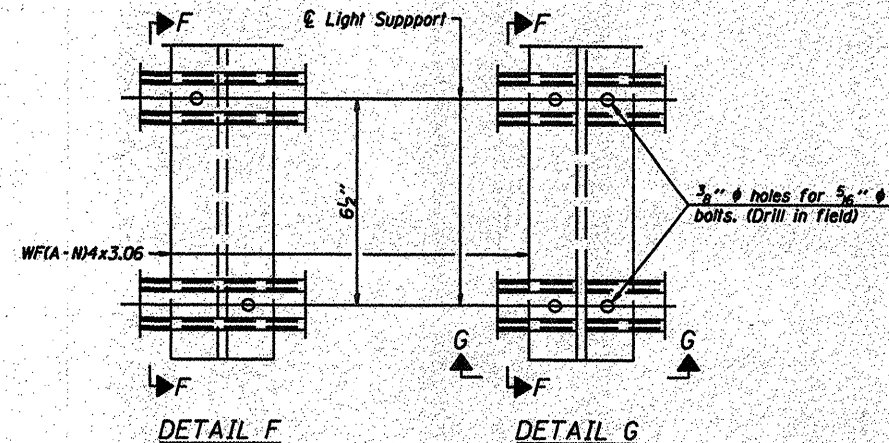


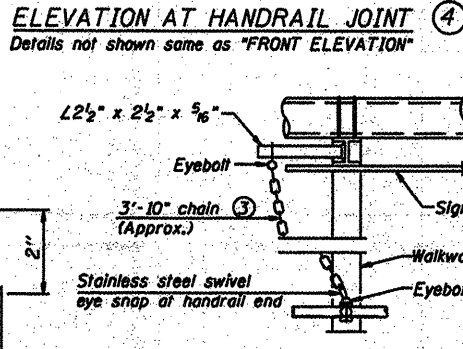
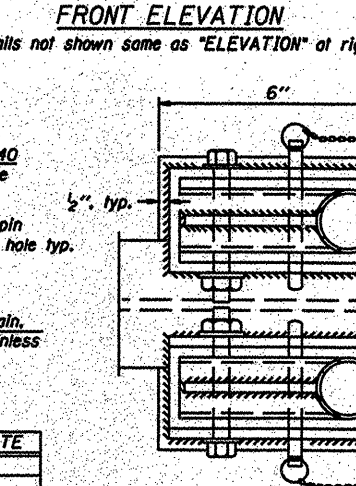
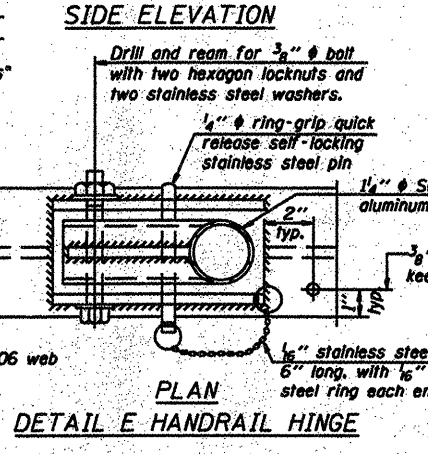
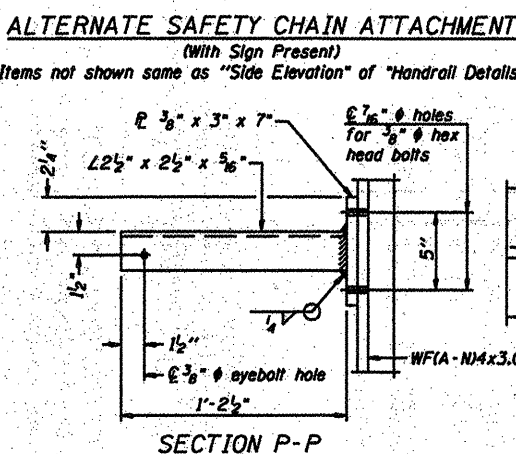
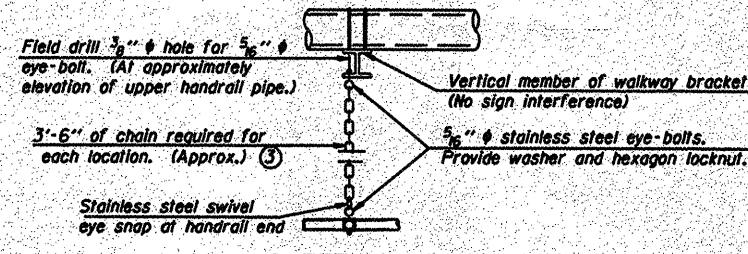
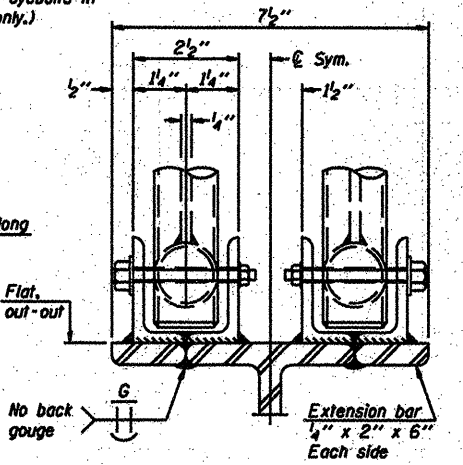
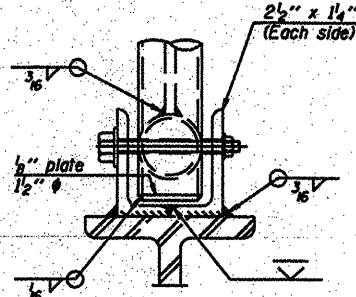
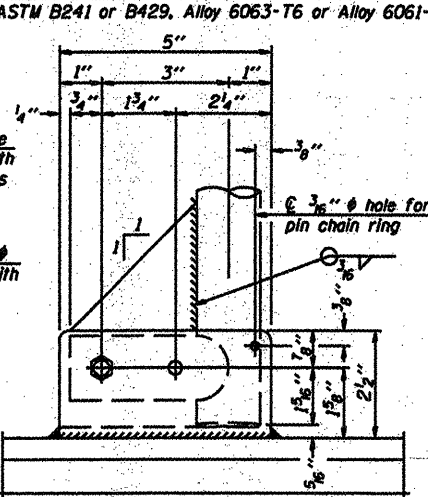
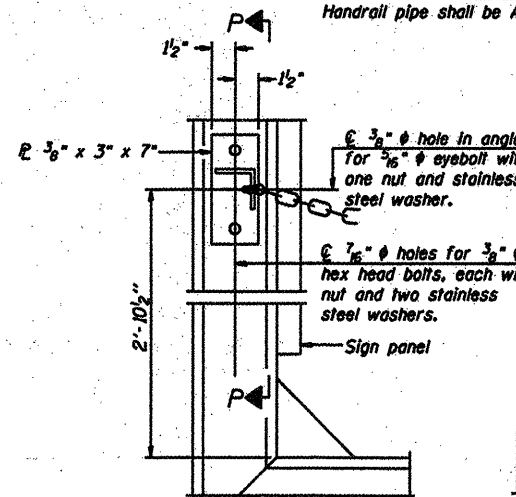
① Install standard force-fit end caps or weld 1/2" end plates with 1/2" c.f.w. and grind smooth. (All roll ends)

Fittings-ASTM B26, Alloy 356-T7 or 1 1/2" aluminum pipe

② Horizontal handrail member shall be continuous thru fitting. Provide 1/8" hole in fitting for 3/8" bolt. Field drill 1/8" hole in horizontal rail member. Provide locknut and two stainless steel washers for bolt. (Use 5/16" eyebolts in 1/8" holes on top rail at ends only.)



⑤ Field cut ends of light support channels shall be free of burrs or hazardous projections and coated with zinc-rich primer or equivalent.



One required for each end of each walkway.

NUMBER	REVISION	DATE

PLAN AT HANDRAIL JOINT  
Details not shown same as "PLAN"

CANTILEVER SIGN STRUCTURES  
HANDRAIL DETAILS  
ALUMINUM TRUSS & STEEL POST

OSC-A-8 12-1-08

FILE NAME #	USER NAME #	DESIGNED -	REVISED -
#FILE#	#USER#	DRAWN -	REVISED -
		CHECKED -	REVISED -
		DATE	REVISED -

STATE OF ILLINOIS  
DEPARTMENT OF TRANSPORTATION

District 2 Sign  
Structure Replacement

SCALE: SHEET NO. OF SHEETS STA. TO STA.

F.A. RTE.	SECTION	COUNTY	TOTAL SHEETS	SHEET NO.
*	D-2 DVD SIGN REPL 2010-36	**	31	21
**	Rock Island & Winnebago	CONTRACT NO. 4601		
**	Various	ILLINOIS FED. AID PROJECT		