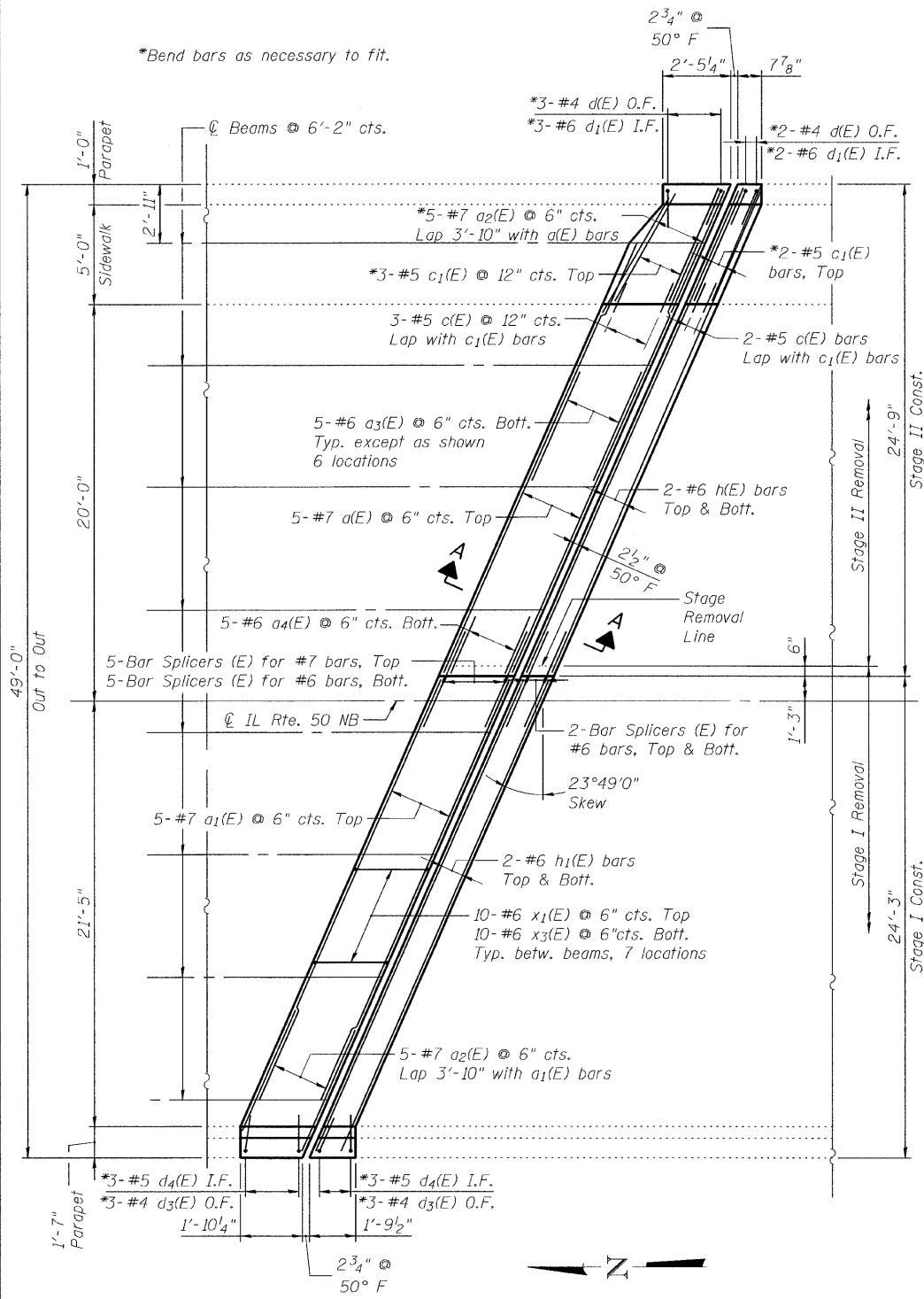


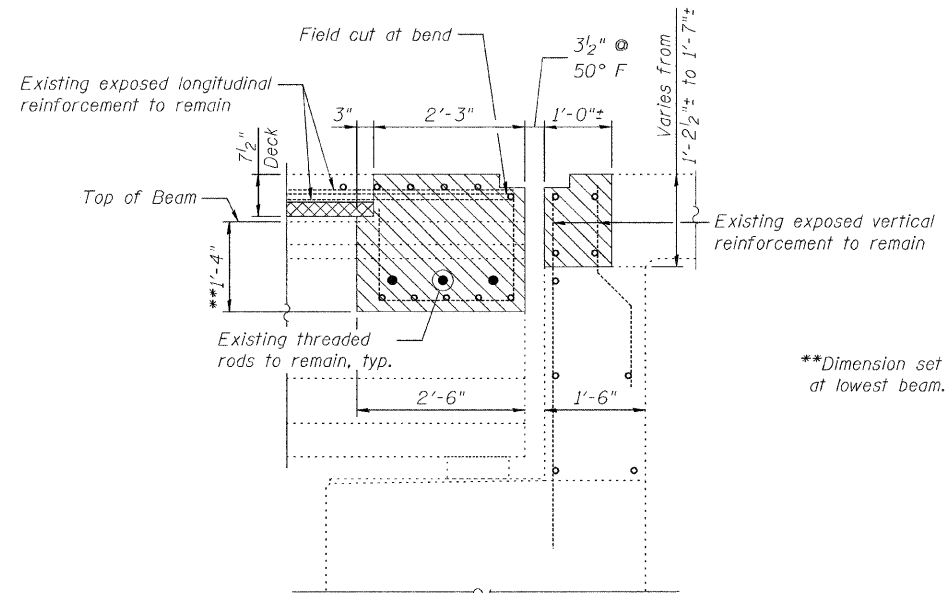
MAP ROUTE NO.	SECTION	COUNTY	TOTAL SHEETS	SHEET NO.
350	50-1 VB-1-BR	Cook	33	16
FED. ROAD DIST.		ILLINOIS	FED. AID PROJECT-	

Contract # 60H76

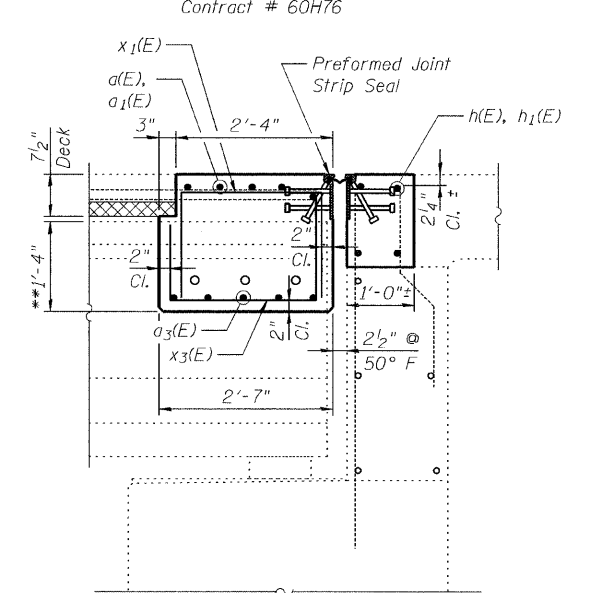
SHEET NO. 5 OF 16 SHEETS



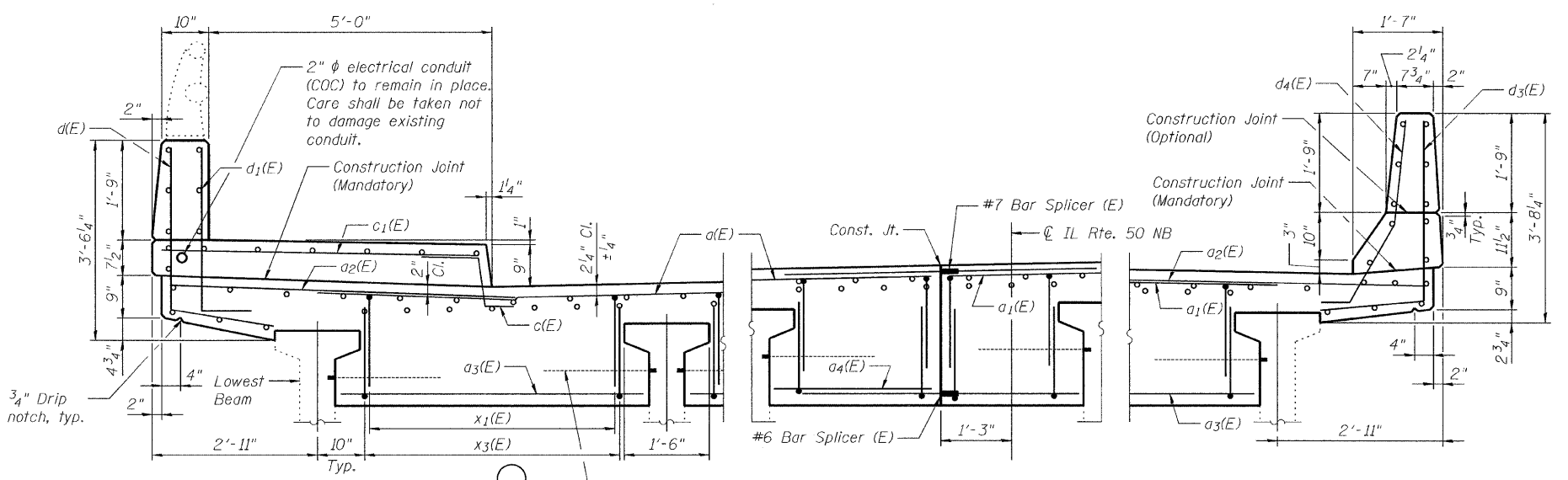
EXP. JOINT PLAN AT NB, SOUTH ABUTMENT



SECTION A-A  
CONCRETE REMOVAL @ NB, S. ABUT.  
(Horiz. dimensions at Rt. L's)



SECTION A-A  
CONCRETE REPLACEMENT @ NB, S. ABUT.  
(Horiz. dimensions at Rt. L's)



SIDEWALK SECTION  
(Looking South)

CENTER SECTION  
(Looking South)

CURB SECTION  
(Looking South)

DESIGNED	E.E.J.
CHECKED	J.A.Z.
DRAWN	E.E.J.
CHECKED	J.A.Z.

- Notes:
- Existing reinforcement shall be cleaned and incorporated into the new construction.
  - See Sheet 10 of 16 for Bill of Material.

LEGEND

- Concrete Removal
- Exist. PPC Deck Plank, 2 1/2" thick

EXPANSION JOINT  
NB SOUTH ABUTMENT  
IL 50 (CICERO AVE) OVER BRC R.R.  
F.A.P. 350, SECTION 50-1 VB-1-BR  
COOK COUNTY  
S.N. 016-2512 (S.B.), 016-2513 (N.B.)  
DATE: 10-23-09  
GRAEF  
CHICAGO  
ILLINOIS