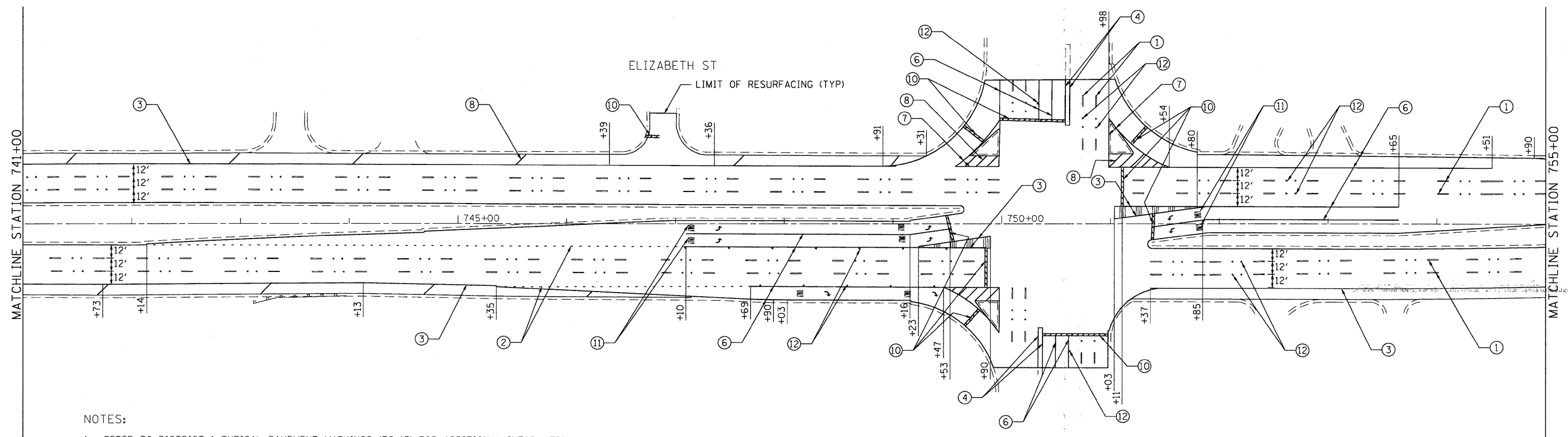


PAVEMENT MARKING LEGEND (SEE NOTE 1)

- |   |  |
|---|--|
| ① THERMOPLASTIC PAVEMENT MARKING 4" WHITE LANE LINE (30' SKIP 10' DASH) | ⑦ THERMOPLASTIC PAVEMENT MARKING 8" WHITE LINE             |
| ② THERMOPLASTIC PAVEMENT MARKING 4" WHITE DOTTED LINE (6' SKIP 2' DASH) | ⑧ THERMOPLASTIC PAVEMENT MARKING 12" DIAGONAL WHITE LINE   |
| ③ THERMOPLASTIC PAVEMENT MARKING 4" SOLID WHITE LINE                    | ⑨ THERMOPLASTIC PAVEMENT MARKING 12" DIAGONAL YELLOW LINE  |
| ④ THERMOPLASTIC PAVEMENT MARKING 4" SOLID YELLOW LINE                   | ⑩ THERMOPLASTIC PAVEMENT MARKING 24" WHITE STOP BAR        |
| ⑤ THERMOPLASTIC PAVEMENT MARKING 4" DOUBLE YELLOW LINE 11" C-C          | ⑪ THERMOPLASTIC PAVEMENT MARKING LETTERS AND SYMBOLS (TYP) |
| ⑥ THERMOPLASTIC PAVEMENT MARKING 6" WHITE LINE                          | ⑫ RAISED REFLECTIVE PAVEMENT MARKER (SEE NOTE 2)           |

2ND STREET



NOTES:

- REFER TO DISTRICT 1 TYPICAL PAVEMENT MARKINGS (TC-13) FOR ADDITIONAL INFORMATION.
- REFER TO DISTRICT 1 RAISED REFLECTIVE PAVEMENT MARKERS (TC-11) FOR ADDITIONAL INFORMATION.

FILE NAME = p:\2009\mgs0006\varver\_phil\cadd\wo7\_1183\shs\DI60J20-shi-pmk-04.dgn  
 PLOT SCALE = 50.00000 / 1.00  
 USER NAME = Millennium Professional Services



200 22ND Street, Suite 216, Lombard, IL 60148  
 630.705.0110 voice, 630.839.2566 fax  
 WWW.MPS-IL.COM  
**MILLENNIA PROFESSIONAL SERVICES**

DESIGNED - CJD	REVISED -
DRAWN - CJD	REVISED -
CHECKED - RPD	REVISED -
DATE - 2/17/2010	REVISED -

**STATE OF ILLINOIS**  
**DEPARTMENT OF TRANSPORTATION**

**ILLINOIS ROUTE 83 (NORTH)**  
**WASHINGTON ST TO ILLINOIS RTE 64**

**PAVEMENT MARKING PLAN**

SCALE: 1"=100' SHEET NO. OF SHEETS STA. 727+00 TO STA. 755+00

F.A.P. RTE. 344	SECTION 543 X-RS-2	COUNTY DUPAGE	TOTAL SHEETS 30	SHEET NO. 13
FED. ROAD DIST. NO. 1 ILLINOIS FED. AID PROJECT			CONTRACT NO. 60J20	

PMK-04

p:\2009\mgs0006\varver\_phil\cadd\wo7\_1183\shs\DI60J20-shi-pmk-04.dgn