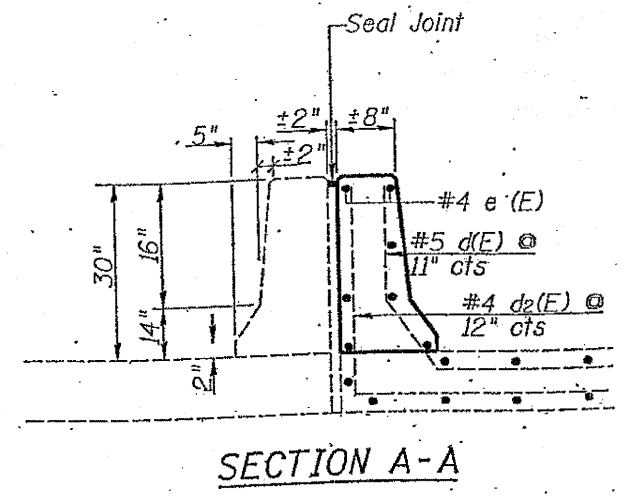
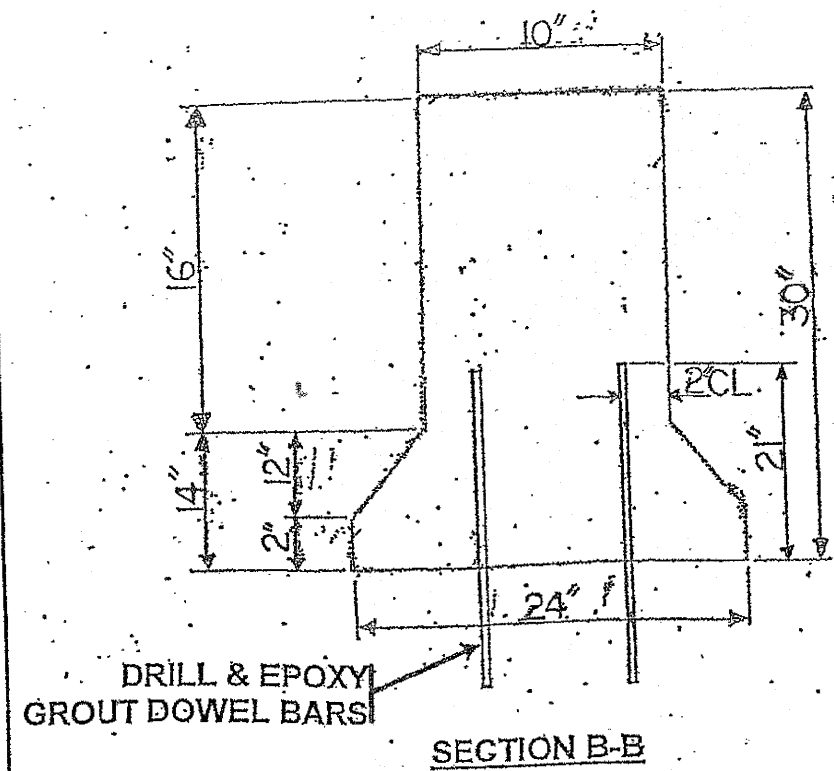
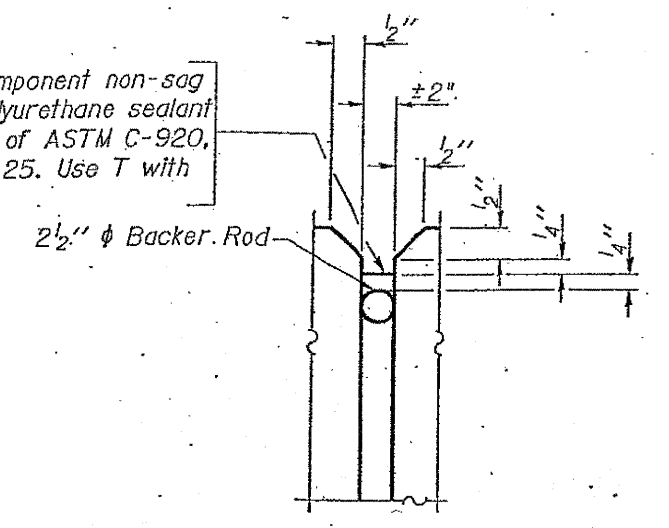


ROUTE	SECTION	COUNTY	TOTAL SHEETS	SHEET NUMBER
344	543 R-1-RS	DUPAGE	27	27B

Contract 60J21



Non-staining gray one component non-sag elastomeric gun grade polyurethane sealant meeting the requirements of ASTM C-920, Type S, Grade NS, Class 25. Use T with a 5/8" backer rod.



FULL DEPTH BARRIER REPAIR
SEE SHEET 4 FOR MORE DETAILS

Concrete Removal (Cu Yd)	4.3
Concrete Structure (Cu Yd)	4.3

FOR INFORMATION ONLY

BRIDGE PARAPET REPAIR
SEE SHEET 5 FOR MORE DETAILS

Bar	No.	Size	Length	Shape
e (E)	8	#4	5'-3"	—
Reinforcement Bars, Epoxy Coated			Lbs.	30
Concrete Superstructure			Cu. Yds.	0.4
Concrete Removal			Cu. Yds.	0.3
Mechanical Splicers			Each	8

FOR INFORMATION ONLY

SHEET 2 OF 2

ILLINOIS DEPARTMENT OF TRANSPORTATION

LOCATION: 1
ROUTE 83 (SB)

Added Sheet 4-7-10