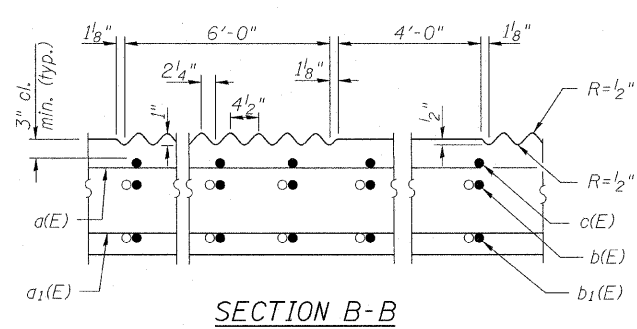
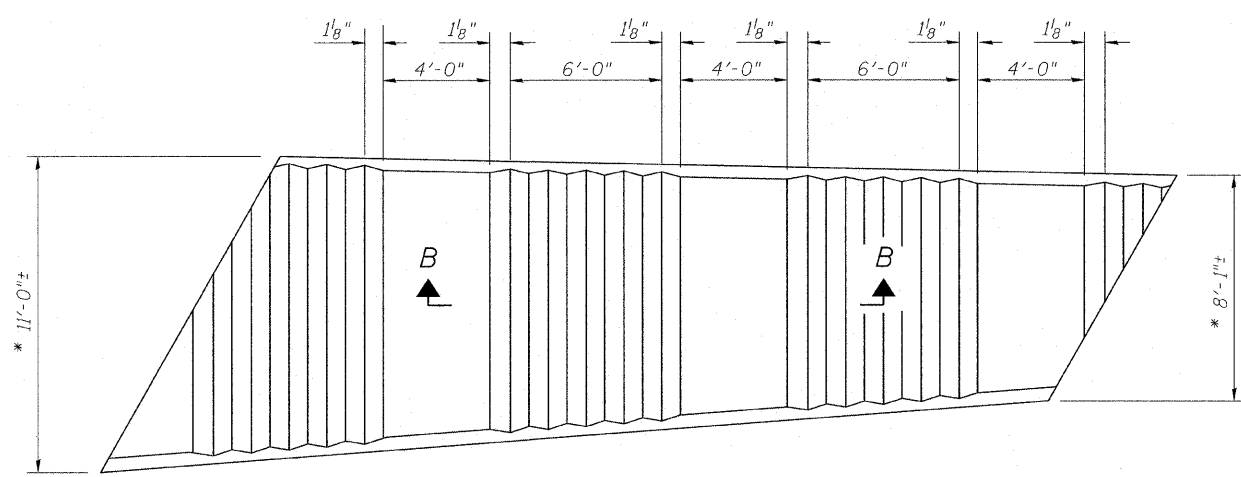
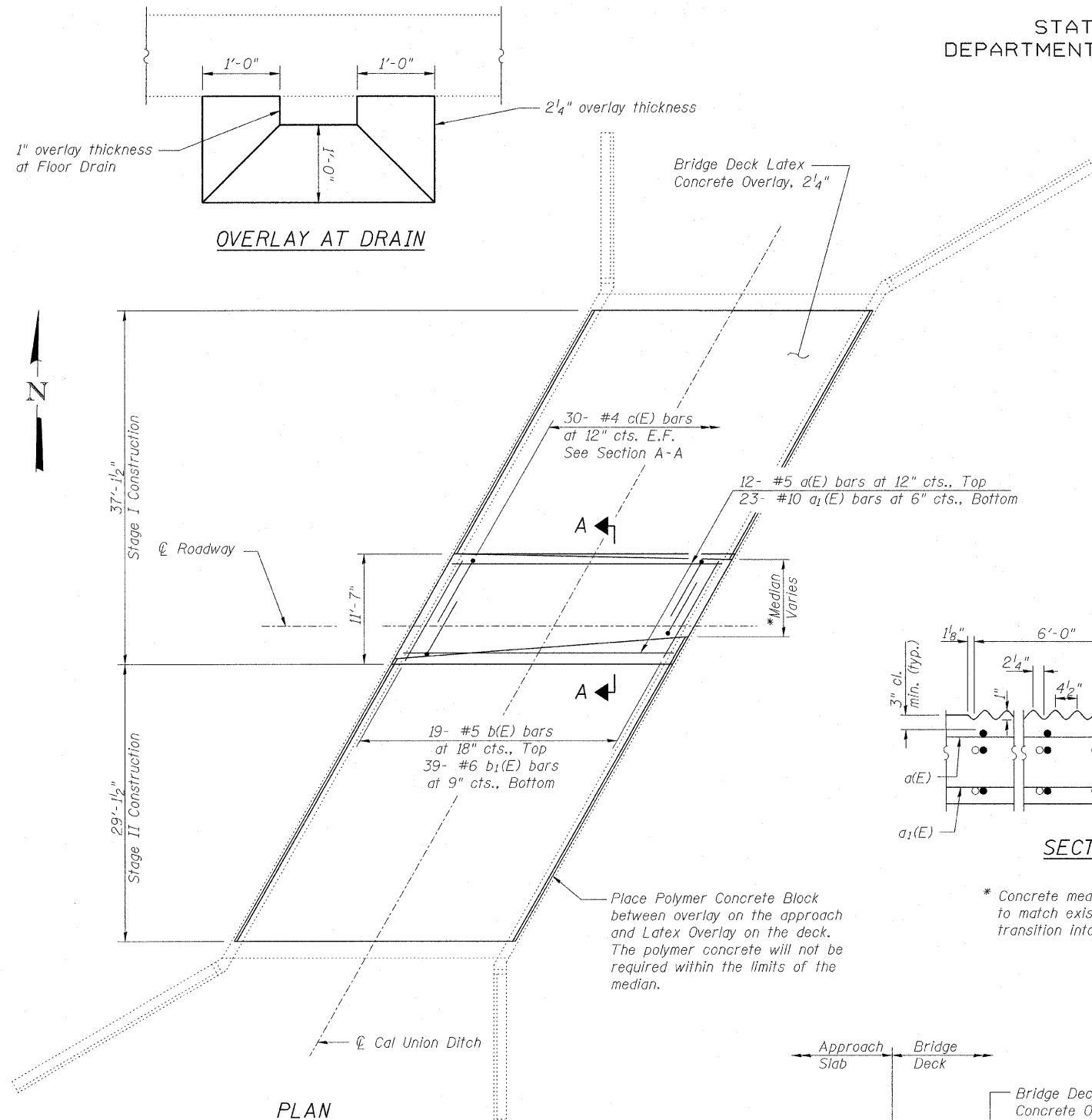
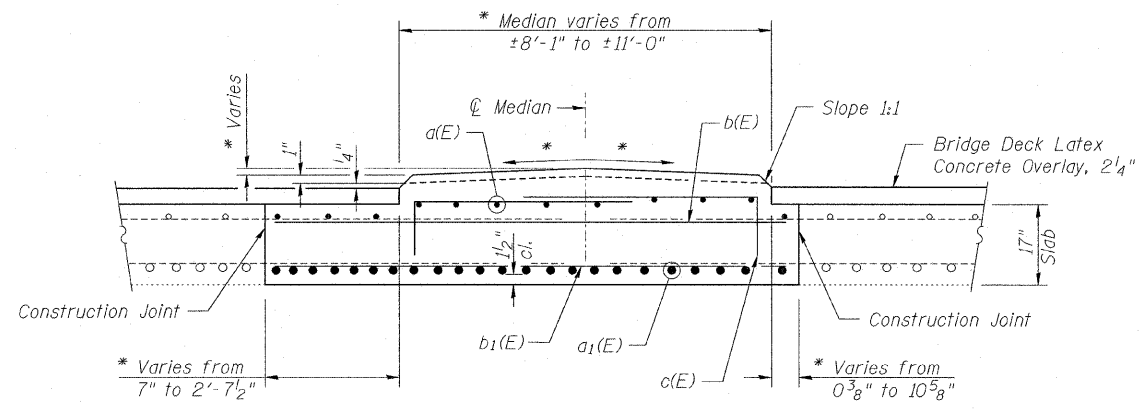


STATE OF ILLINOIS  
DEPARTMENT OF TRANSPORTATION



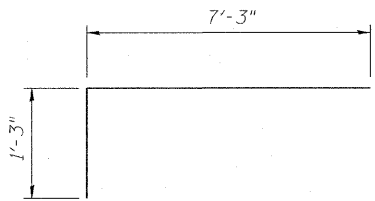
CORRUGATED MEDIAN DETAIL



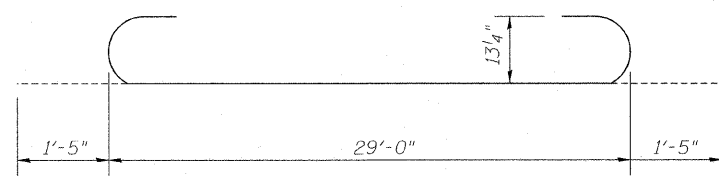
SECTION A-A

\* Concrete median shall be rebuilt to match existing dimensions and to transition into the approach median.

Place Polymer Concrete Block between overlay on the approach and Latex Overlay on the deck. The polymer concrete will not be required within the limits of the median.



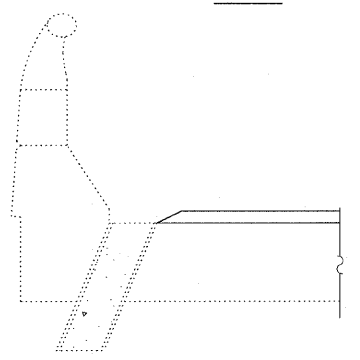
BAR c(E)



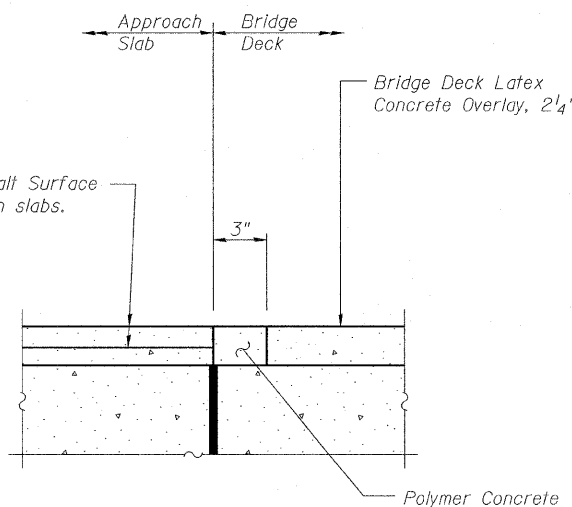
BAR a1(E)

BILL OF MATERIAL

| Bar  | No. | Size | Length  | Shape |
|--|-----|------|---------|-------|
| a(E)                                       | 12  | #5   | 29'-2"  | —     |
| a1(E)                                      | 23  | #10  | 31'-10" | —     |
| b(E)                                       | 19  | #5   | 13'-0"  | —     |
| b1(E)                                      | 39  | #6   | 13'-0"  | —     |
| c(E)                                       | 60  | #4   | 8'-6"   | —     |
| Concrete Superstructure                    |     |      | Cu. Yd. | 21.7  |
| Reinforcement Bars, Epoxy Coated           |     |      | Pound   | 4880  |
| Bridge Deck Latex Concrete Overlay, 2 1/4" |     |      | Sq. Yd. | 182   |
| Polymer Concrete                           |     |      | Cu. Ft. | 6.1   |



DRAIN DETAIL



PROPOSED FIXED JOINT DETAIL

MEDIAN CONCRETE DETAILS  
STRUCTURE NO. 016-0386

**E** LIN ENGINEERING, LTD.  
Consulting Engineers  
Chatham, Illinois

SHEET NO. 5  
6 SHEETS

| F.A.P. RTE. | SECTION | COUNTY | TOTAL SHEETS | SHEET NO.          |
|-------------|---------|--------|--------------|--------------------|
| 351         | 539 B-I | COOK   | 21           | 15                 |
|             |         |        |              | CONTRACT NO. 60J36 |

ILLINOIS FED. AID PROJECT

Designed By: TBP  
Checked By: MTH  
Date: 1/2010

Drawn By: TBP  
File: 016-0386.dgn