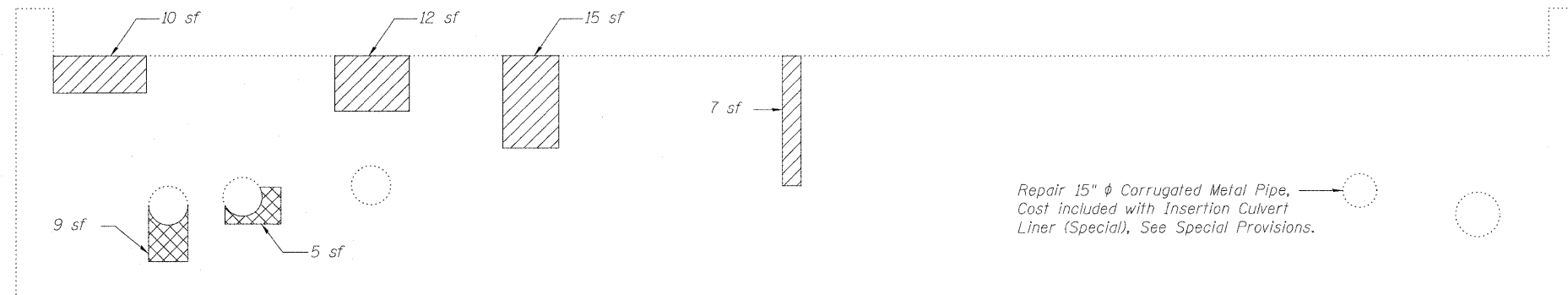
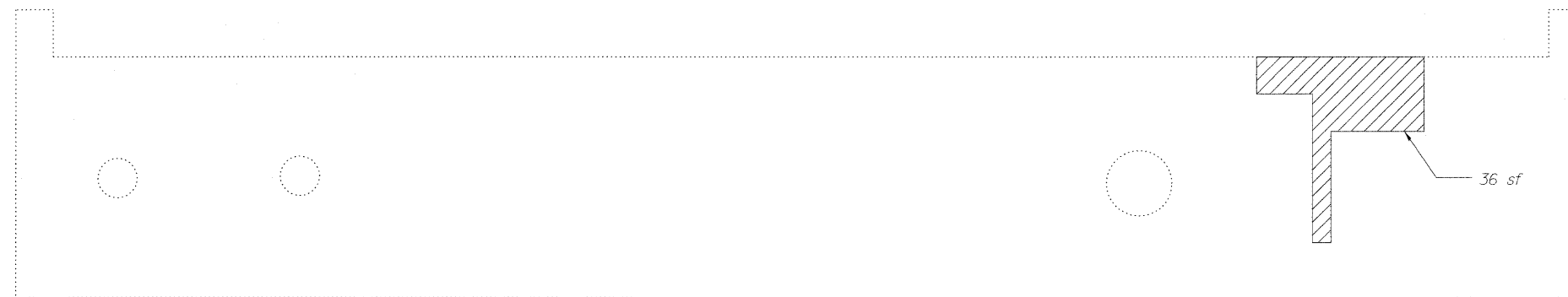


STATE OF ILLINOIS
DEPARTMENT OF TRANSPORTATION

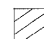


EAST ABUTMENT ELEVATION



WEST ABUTMENT ELEVATION

LEGEND

 Structural Repair of Concrete (Depth Equal To or Less Than 5 in.)

 Structural Repair of Concrete (Depth Greater Than 5 in.)


sf Square Feet

Note:
Repair of the existing abutments shall include but may not be limited to the areas shown. The actual areas to be repaired will be determined by the Engineer at the time of construction.

BILL OF MATERIAL

Item	Unit	Total
Structural Repair of Concrete (Depth Greater Than 5 in.)	Sq. Ft.	14
Structural Repair of Concrete (Depth Equal To or Less Than 5 in.)	Sq. Ft.	80
Insertion Culvert Liner (Special)	Foot	50

ABUTMENT REPAIR
STRUCTURE NO. 016-0386

 LIN ENGINEERING, LTD. Consulting Engineers Chatham, Illinois <small>Designed By: YMK Checked By: MTH Drawn By: YMK Date: 1/2010 File: 016-0386.dgn</small>	SHEET NO. 6	F.A.P. RTE.	SECTION	COUNTY	TOTAL SHEETS	SHEET NO.
	6 SHEETS	351	539 B-1	COOK	21	16
				CONTRACT NO. 60J36		
ILLINOIS FED. AID PROJECT						